

MECHANICAL SUB-ASSEMBLIES




AST

Precision Mechanical Assemblies



For more than 30 years AST has been one of the country's leading providers of high quality precision ball bearings. Now we can take our miniature and instrument series bearings and provide precision mechanical rotary sub-assemblies, engineered to the most exacting specifications.

Our engineering and technical staff can conduct design reviews and provide assemblies manufactured to your specifications or ours. Our experts know the correct way to handle and install bearings, and can provide you with a reliable product at a significant cost savings.



AST Capabilities:

- Tight tolerance machining, castings, injection molding
- Component materials: metals (various alloys) and plastics
- Specialty materials and lubricants

- Protective coatings
- Commercial or super-precision bearings with precise quantities of lubrication.

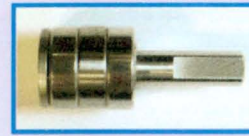
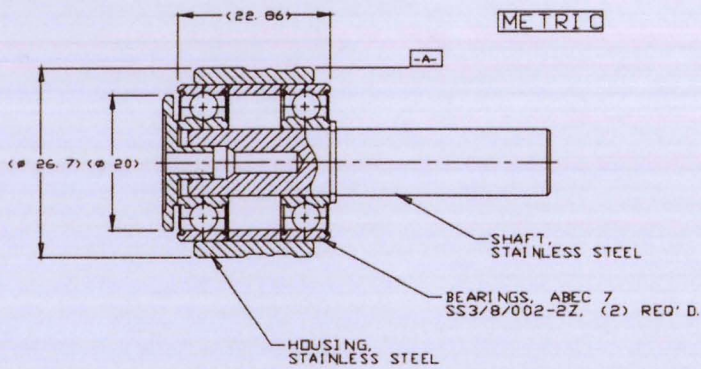
AST Services:

- Engineering expertise (CAD drawings provided upon request)
- Contract assembly
- Class 100 and Class 10,000 assembly and test environments
- Product inspection and testing
- World-class bearing laboratory
- Low-cost sourcing

Let AST quote your next mechanical assembly requirement. We have already helped our customers in such industries as:

- Office & Factory Automation
- Scientific and Medical Instrumentation
- Robotics
- Currency Counters
- Automotive
- Process Control



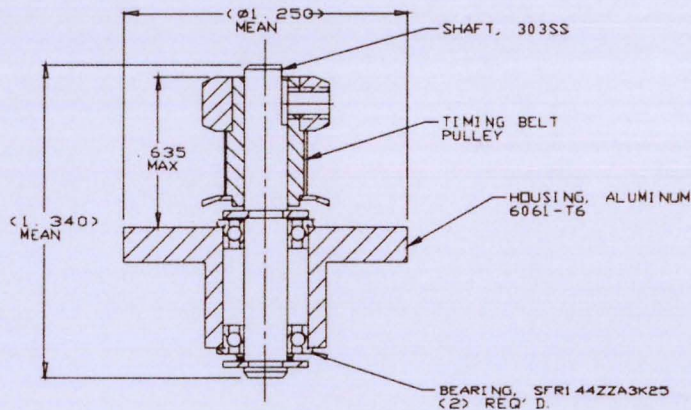


Precision Spindle Assembly for Industrial Encoder

Bearings: (2) Stainless steel, ABEC 7 with shields, bonded in place under pre-load.

Shaft and Housing: Stainless steel.

Very precise running geometry, lubricated with special grease for low noise and increased life.



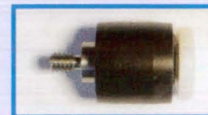
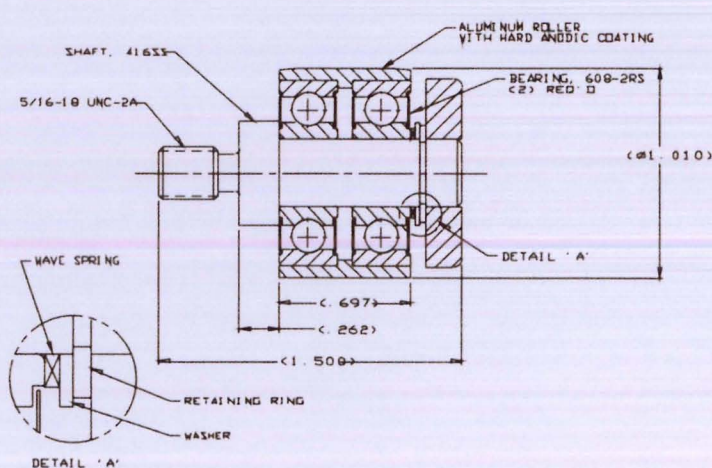
Timing Belt Idler Assembly

Used in Electronic Media Storage System.

Bearings: (2) Flanged miniature series, stainless steel.

Housing and Pulley: Aluminum.

Shaft: Stainless steel pre-loaded with wave spring.



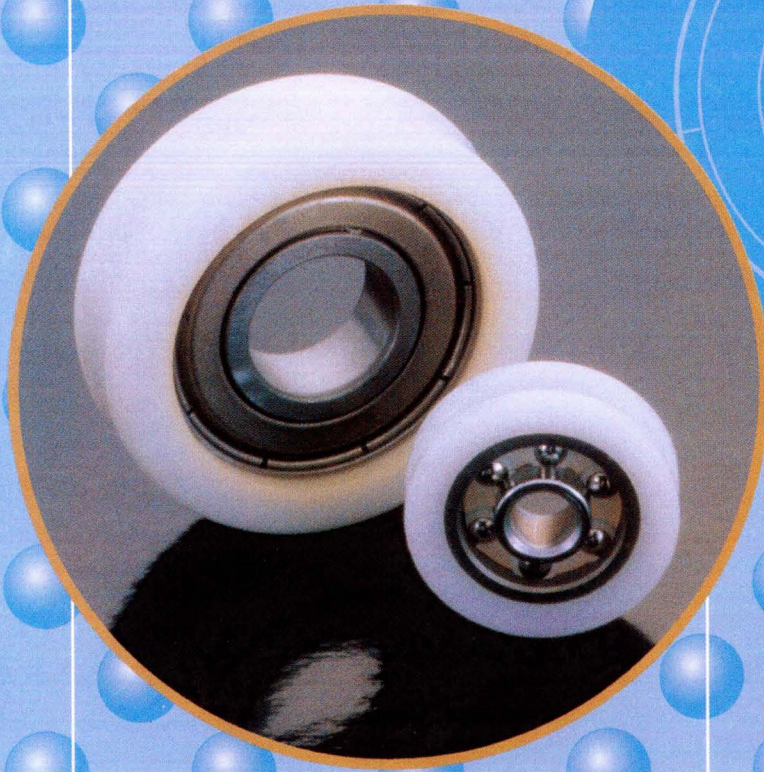
Pulley Assembly for Paper Transport System

Bearings: (2) Chrome ABEC 3 with PTFE seals.

Housing: Anodized aluminum.

Shaft: Stainless steel.

Low-cost, maintenance-free assembly for long life in a harsh, paper dust environment.



MAIN OFFICE & WAREHOUSE

115 Main Road, Montville, NJ 07045-9299
Phone: (973) 335-2230 • Fax: (973) 335-6987
Toll Free: (800) 526-1250

WEST COAST OFFICE & WAREHOUSE

3A Faraday, Irvine, CA 92618-2752
Phone: (949) 951-0221 • Fax: (949) 951-5634
Toll Free: (800) 227-8786

www.astbearings.com