

Ball bearing for high temperature

BHTS ZZ 200°

The BHTS ZZ 200° ball bearings are developed based on the structure of a standard bearing but with appropriate treatment of stabilization, radial clearance, greases and ZZ shields which make them suitable for operation from -30° to +200°. Their application range is extremely wide and covers almost all areas of application, in particular, the BHTS ZZ 200° bearings allow a unique range of safety in all applications where they can also occur temporarily and for reasons not dependent on the will of the designer phenomena occasional overheating.

The current trend of globalization of supply often creates situations of application of products not predictable and not calculable; the BHTSZZ 200° bearing allows total security impossible with standard products and allows for safe use up to 200° degrees. The BHTS ZZ 200° is exactly identical to BHTS 2RS VT 200°, with the only difference of having the ZZ shields which allows a considerable cost savings compared to sheet steel with Viton seal.

Technical characteristics:

Material Steel AISI 52100 (Chrome) stabilized to the application
Radial C4 (H)
Shields type ZZ
Greasing with grease for temperatures up to 200° (with a drop point of 320°)

Fields of application:

Air Conveyors
Industrial Fans
Packaging Machinery
Steel Industry
Ceramic Industry
Papermaking Industry

Ball bearing for high temperature

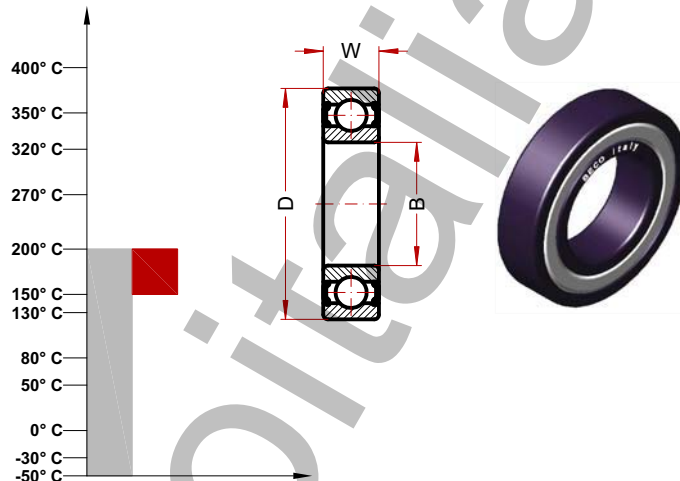
BHTS ZZ 200° (61800 Serie)

MAX TEMP CELSIUS 200° C

MAX TEMP FAHRENHEIT 392° F

SUGGESTED RANGE 120°-200° C

SUGGESTED RANGE 248°-392° F



Designation	Bore (B)	Diam (D)	Widht (W)	Weight g	Speed RPM/min (*)	Static Load kN
61800 BHTS ZZ 200°	10	19	5	6	6000	0.47
61801 BHTS ZZ 200°	12	21	5	7	6000	0.85
61802 BHTS ZZ 200°	15	24	5	8	6000	1.12
61803 BHTS ZZ 200°	17	26	5	9	6000	1.3
61804 BHTS ZZ 200°	20	32	7	18	5600	2.01
61805 BHTS ZZ 200°	25	37	7	24	5400	2.52
61806 BHTS ZZ 200°	30	42	7	27	5000	3
61807 BHTS ZZ 200°	35	47	7	32	4800	3.2
61808 BHTS ZZ 200°	40	52	7	35	4400	3.8
61809 BHTS ZZ 200°	45	58	7	42	4000	5.04
61810 BHTS ZZ 200°	50	65	7	52	3600	5.6
61811 BHTS ZZ 200°	55	72	9	81	3200	7.6
61812 BHTS ZZ 200°	60	78	10	105	2800	9.9
61813 BHTS ZZ 200°	65	85	10	124	2600	10.8
61814 BHTS ZZ 200°	70	90	10	133	2000	11.2
61815 BHTS ZZ 200°	75	95	10	143		12
61816 BHTS ZZ 200°	80	100	10	150		
61817 BHTS ZZ 200°	85	110	13	270		
61818 BHTS ZZ 200°	90	115	13	280		
61819 BHTS ZZ 200°	95	120	13	300		
61820 BHTS ZZ 200°	100	125	13	310		

Static load and max speed are calculated for the maximum temperature of application we supply this technical information only for help customer in the choice. Due the extremely difference in the condition of application. We suggest to the customer to contact our engineering service and made pratical test for check in the real condition the pratical working.

Ball bearing for high temperature

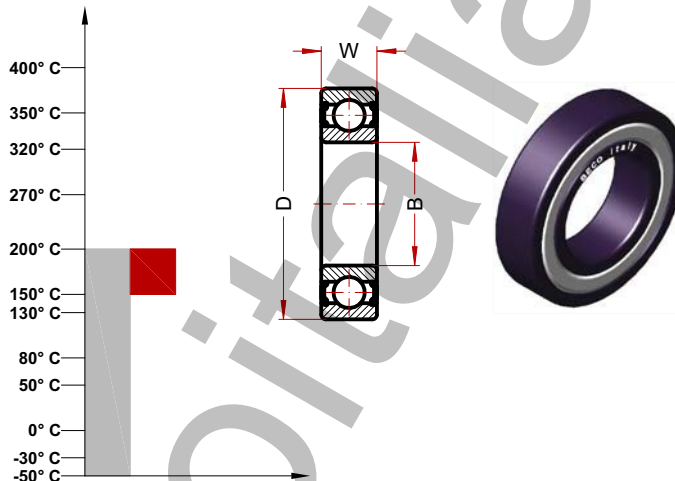
BHTS ZZ 200° (6000 Serie)

MAX TEMP CELSIUS 200° C

MAX TEMP FAHRENHEIT 392° F

SUGGESTED RANGE 120°-200° C

SUGGESTED RANGE 248°-392° F



Designation	Bore (B)	Diam (D)	Widht (W)	Weight g	Speed RPM/min (*)	Static Load kN
6000 BHTS ZZ 200°	10	26	8	20	6000	1.76
6001 BHTS ZZ 200°	12	28	8	25	5800	2.1
6002 BHTS ZZ 200°	15	32	9	30	5600	2.5
6003 BHTS ZZ 200°	17	35	10	40	5400	2.9
6004 BHTS ZZ 200°	20	42	12	69	5200	4.5
6005 BHTS ZZ 200°	25	47	12	80	4800	5.2
6006 BHTS ZZ 200°	30	55	13	120	4400	7.2
6007 BHTS ZZ 200°	35	62	14	160	4000	9.3
6008 BHTS ZZ 200°	40	68	15	190	3600	10.6
6009 BHTS ZZ 200°	45	75	16	250	3200	12.8
6010 BHTS ZZ 200°	50	80	16	260	2800	14
6011 BHTS ZZ 200°	55	90	18	390	2400	19
6012 BHTS ZZ 200°	60	95	18	420	2000	20.8
6013 BHTS ZZ 200°	65	100	18	440	1800	22.5
6014 BHTS ZZ 200°	70	110	20	600	1600	28.3
6015 BHTS ZZ 200°	75	115	20	640	1400	30.4
6016 BHTS ZZ 200°	80	125	22	850	1200	36
6017 BHTS ZZ 200°	85	130	22	890	1000	38.7
6018 BHTS ZZ 200°	90	140	24	1150	900	45
6019 BHTS ZZ 200°	95	145	24	1200	800	48.6
6020 BHTS ZZ 200°	100	150	24	1250	700	48.6

Static load and max speed are calculated for the maximum temperature of application we supply this technical information only for help customer in the choice. Due the extremely difference in the condition of application. We suggest to the customer to contact our engineering service and made pratical test for check in the real condition the pratical working.

Ball bearing for high temperature

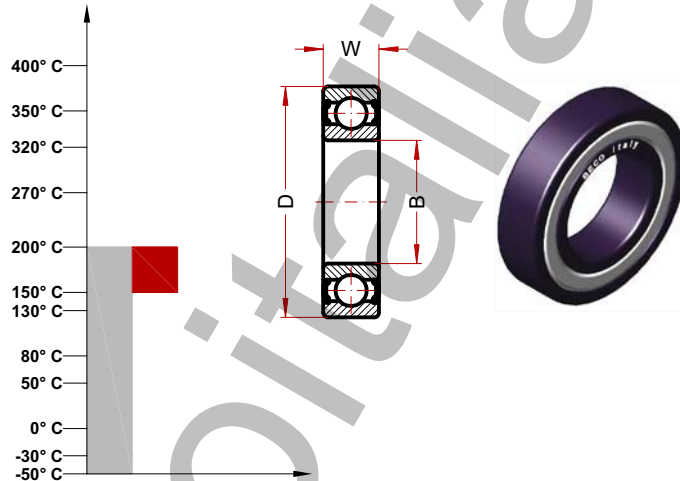
BHTS ZZ 200° (6200 Serie)

MAX TEMP CELSIUS 200° C

MAX TEMP FAHRENHEIT 392° F

SUGGESTED RANGE 120°-200° C

SUGGESTED RANGE 248°-392° F



Designation	Bore (B)	Diam (D)	Widht (W)	Weight g	Speed RPM/min (*)	Static Load kN
6200 BHTS ZZ 200°	10	30	9	30	5800	2.3
6201 BHTS ZZ 200°	12	32	10	37	5600	2.8
6202 BHTS ZZ 200°	15	35	11	45	5400	3.3
6203 BHTS ZZ 200°	17	40	12	65	5200	4.2
6204 BHTS ZZ 200°	20	47	14	110	4800	5.9
6205 BHTS ZZ 200°	25	52	15	130	4400	7.2
6206 BHTS ZZ 200°	30	62	16	200	4000	10
6207 BHTS ZZ 200°	35	72	17	290	3600	13.7
6208 BHTS ZZ 200°	40	80	18	370	3200	16.2
6209 BHTS ZZ 200°	45	85	19	410	2800	18.3
6210 BHTS ZZ 200°	50	90	20	460	2400	21.6
6211 BHTS ZZ 200°	55	100	21	610	2000	26.1
6212 BHTS ZZ 200°	62	110	22	780	1800	32.4
6213 BHTS ZZ 200°	65	120	23	990	1600	37.3
6214 BHTS ZZ 200°	70	125	24	1040	1400	39.6
6215 BHTS ZZ 200°	75	130	25	1210	1200	44.1
6216 BHTS ZZ 200°	80	140	26	1400	1000	49.5
6217 BHTS ZZ 200°	85	150	28	1800	900	57.6
6218 BHTS ZZ 200°	90	160	30	2150	800	66.1
6219 BHTS ZZ 200°	95	170	32	2600	700	73.3
6220 BHTS ZZ 200°	100	180	34	3150	600	83.2

Static load and max speed are calculated for the maximum temperature of application we supply this technical information only for help customer in the choice. Due the extremely difference in the condition of application. We suggest to the customer to contact our engineering service and made pratical test for check in the real condition the pratical working.

Ball bearing for high temperature

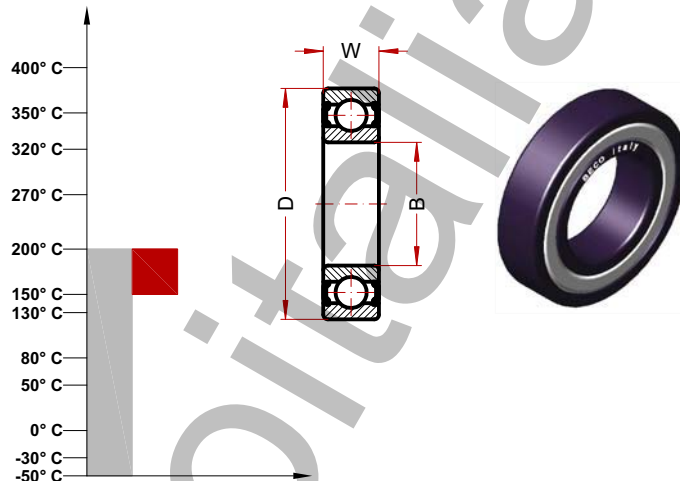
BHTS ZZ 200° (6300 Serie)

MAX TEMP CELSIUS 200° C

MAX TEMP FAHRENHEIT 392° F

SUGGESTED RANGE 120°-200° C

SUGGESTED RANGE 248°-392° F



Designation	Bore (B)	Diam (D)	Widht (W)	Weight g	Speed RPM/min (*)	Static Load kN
6300 BHTS ZZ 200°	10	35	11	52	5600	3.1
6301 BHTS ZZ 200°	12	37	12	60	5400	3.7
6302 BHTS ZZ 200°	15	42	13	80	5200	4.8
6303 BHTS ZZ 200°	17	47	14	120	4800	5.8
6304 BHTS ZZ 200°	20	52	15	140	4400	3.6
6305 BHTS ZZ 200°	25	62	17	225	4000	10.2
6306 BHTS ZZ 200°	30	72	19	350	3600	14.6
6307 BHTS ZZ 200°	35	80	21	450	3200	17.1
6308 BHTS ZZ 200°	40	90	23	620	2800	22.5
6309 BHTS ZZ 200°	45	100	25	830	2400	28.8
6310 BHTS ZZ 200°	50	110	27	1050	2000	34.2
6311 BHTS ZZ 200°	55	120	29	1350	1800	42.7
6312 BHTS ZZ 200°	60	130	31	1700	1600	46.8
6313 BHTS ZZ 200°	65	140	33	2100	1400	54
6314 BHTS ZZ 200°	70	150	35	2500	1200	61.2
6315 BHTS ZZ 200°	75	160	37	3000	1000	68.8
6316 BHTS ZZ 200°	80	170	39	3600	900	77.8
6317 BHTS ZZ 200°	85	180	41	4250	800	86.8
6318 BHTS ZZ 200°	90	190	43	4900	700	97.2
6319 BHTS ZZ 200°	95	200	45	5650	600	106.2
6320 BHTS ZZ 200°	100	215	47	7000	500	126

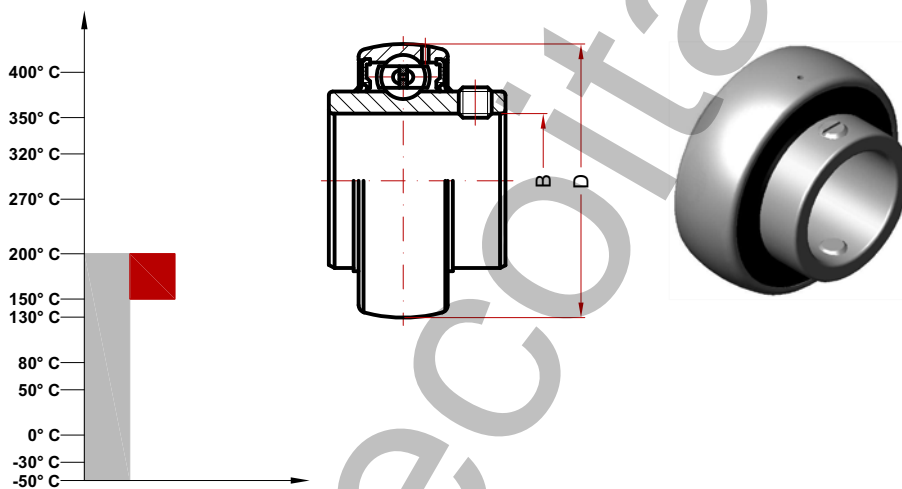
Static load and max speed are calculated for the maximum temperature of application we supply this technical information only for help customer in the choice. Due the extremely difference in the condition of application. We suggest to the customer to contact our engineering service and made pratical test for check in the real condition the pratical working.

Ball bearing for high temperature

BHTS ZZ 200° (UC Serie)

MAX TEMP CELSIUS 200° C
MAX TEMP FAHRENHEIT 392° F

SUGGESTED RANGE 120°-200° C
SUGGESTED RANGE 248°-392° F



Designation	Bore (B)	Diam (D)	Speed RPM/min (*)
UC 201 BHTS ZZ 200°	12	40	1440
UC 202 BHTS ZZ 200°	15	40	1440
UC 203 BHTS ZZ 200°	17	40	1440
UC 204 BHTS ZZ 200°	20	47	1200
UC 205 BHTS ZZ 200°	25	52	1120
UC 206 BHTS ZZ 200°	30	62	880
UC 207 BHTS ZZ 200°	35	72	760
UC 208 BHTS ZZ 200°	40	80	680
UC 209 BHTS ZZ 200°	45	85	640
UC 210 BHTS ZZ 200°	50	90	600
UC 211 BHTS ZZ 200°	55	90	536
UC 212 BHTS ZZ 200°	60	90	480
UC 213 BHTS ZZ 200°	65	90	424
UC 214 BHTS ZZ 200°	70	90	400
UC 215 BHTS ZZ 200°	75	90	384

Static load and max speed are calculated for the maximum temperature of application we supply this technical information only for help customer in the choice. Due the extremely difference in the condition of application. We suggest to the customer to contact our engineering service and made practical test for check in the real condition the practical working.