

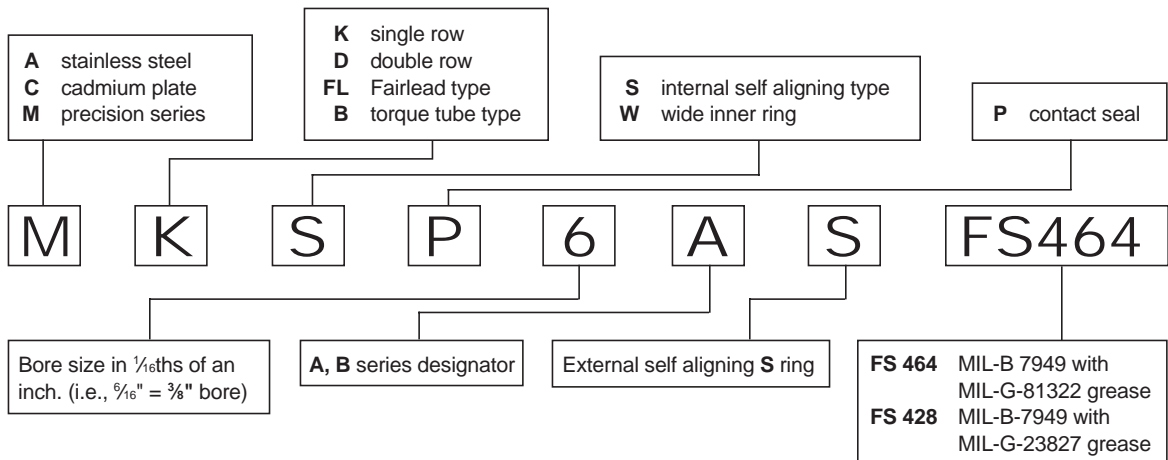
Control and Rod End Bearings

Aircraft Precision Series

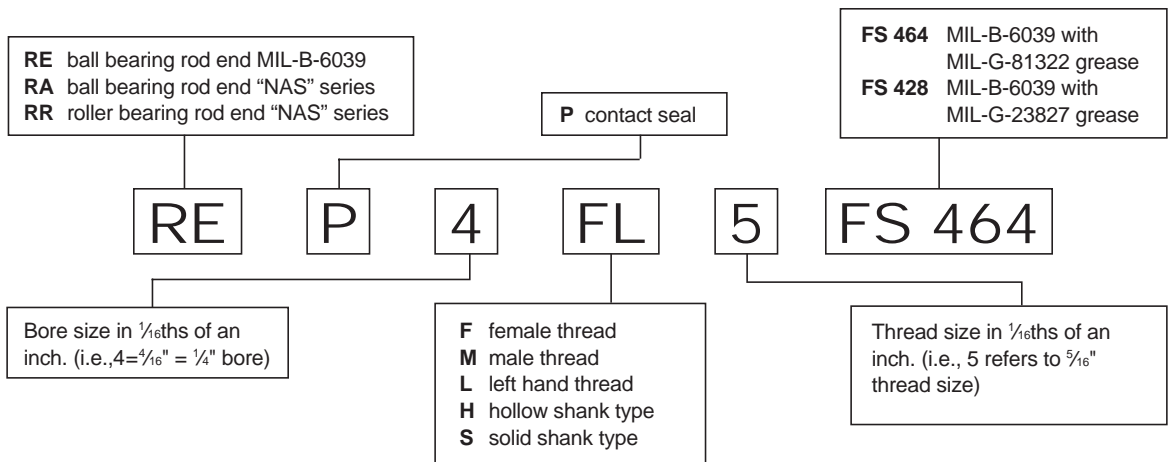
CONTROL BEARINGS – PRECISION SERIES

Introduction	Page
MKP Precision Series, Radial Type	106
MKP-A Precision Series, Radial Type	107
MKP-B Precision Series, Radial Torque Tube Type	108
MKP-BS Precision Series, Self-Aligning, Radial Torque Tube Type	109
MKSP, MSKP-A Precision Series, Self-Aligning Type	110
MDW Precision Series, Extra Wide Type, Double Row	111
MDPP Precision Series, Radial Type, Double Row	111
MDSP Precision Series, Self-Aligning Type, Double Row	111
MB500 Precision Series, Extra Light, Torque Tube Type	112
MB500DD Precision Series, Extra Light, Torque Tube Type	113

Control Bearings



Rod End Bearings

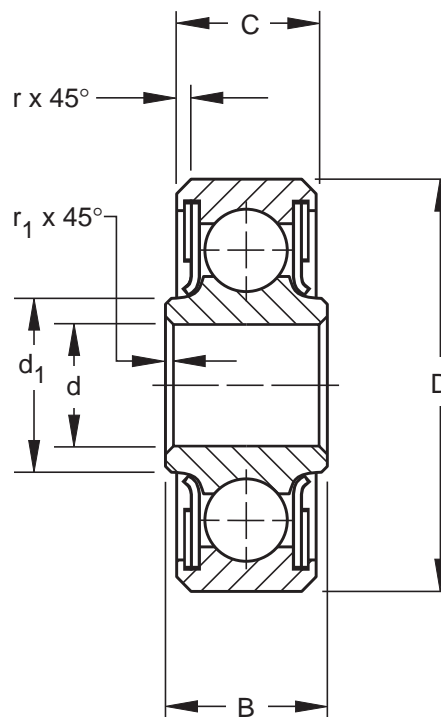




MKP Precision Series Radial Type

MS27640 • MIL-B-7949

- Single row, ball, heavy duty.
- Equipped with Teflon seals.
- Exposed surfaces except bore, cap, and seals are cadmium plated.
- Prelubricated. (See Table 1, page 87 for options.)



TO ORDER, SPECIFY BEARING NUMBER AND FACTORY SPECIFICATION. SEE PAGE 87. (Example MKP3 FS464)

Bearing Number	MS 27640 Dash No.	Bore d		Outside Diameter D		Widths				d ₁		r ₁		r		Wt.		Radial Limit Load Rating		Thrust Limit Load Rating	
		in.	mm	in.	mm	B	C	in.	mm	in.	mm	in.	mm	lbs	.kg	lbs.	N	lbs.	N		
MKP3	-3R	0.1900	4.826	0.7774	19.746	0.2970	7.540	0.270	6.86	0.331	8.41	0.005	0.13	0.022	0.56	0.03	0.014	1880	8300	900	4000
MKP4	-4R	0.2500	6.350	0.9014	22.896	0.4840	12.290	0.335	8.51	0.387	9.83	0.005	0.13	0.032	0.81	0.04	0.018	2680	12000	1200	5300
MKP5	-5R	0.3125	7.938	1.2500	31.750	0.5580	14.170	0.375	9.52	0.469	11.91	0.015	0.38	0.032	0.81	0.09	0.041	5620	25000	2500	11200
MKP6	-6R	0.3750	9.525	1.4375	36.512	0.6200	15.750	0.469	11.91	0.591	15.01	0.015	0.38	0.032	0.81	0.15	0.068	7910	35500	3500	15600
MKP8	-8R	0.5000	12.700	1.6875	42.862	0.6200	15.750	0.500	12.70	0.752	19.10	0.015	0.38	0.044	1.12	0.21	0.095	11810	52000	5200	23200
MKP10	-10R	0.6250	15.875	1.9375	49.212	0.6200	15.750	0.500	12.70	0.850	21.59	0.015	0.38	0.044	1.12	0.28	0.127	14100	63000	6200	27500

Note: These bearings should not be used as track rollers, cam follower rolls, and the like.

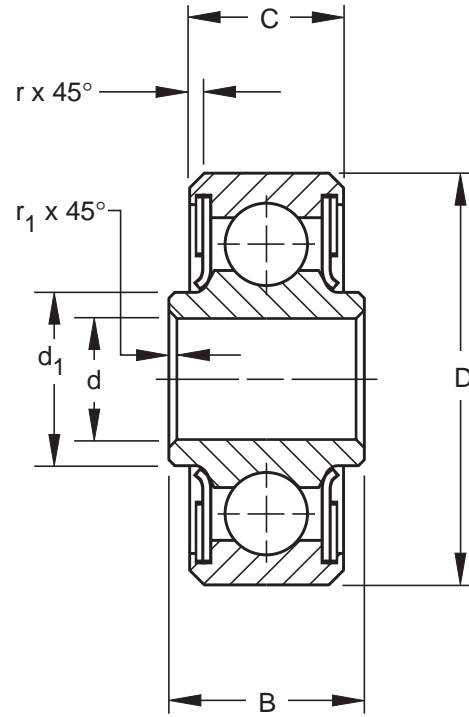
* Check for availability.



MKP-A Precision Series Radial Type

MS27641 • MIL-B-7949

- Single row, ball, deep groove.
- Equipped with Teflon seals.
- Exposed surfaces except bore, cap, and seals are cadmium plated.
- Prelubricated. (See Table 1, page 87 for options.)



TO ORDER, SPECIFY BEARING NUMBER AND FACTORY SPECIFICATION. SEE PAGE 87. (Example MKP3AL FS464)

Bearing Number	MS 27641 Dash No.	Bore d		Outside Diameter D		Widths				d ₁		r ₁		r		Wt.		Radial Limit Load Rating		Thrust Limit Load Rating	
		in.	mm	in.	mm	B	C	in.	mm	in.	mm	in.	mm	lbs.	kg	lbs.	N	lbs.	N		
MKP3AL	—	0.1900	4.826	0.5000	12.700	0.2370	6.020	0.196	4.98	0.258	6.55	0.005	0.13	0.012	0.30	0.01	0.005	970	4300	430	1900
MKP3A	-3R	0.1900	4.826	0.6250	15.875	0.2970	7.540	0.234	5.94	0.270	6.86	0.005	0.13	0.016	0.41	0.01	0.005	1560	6950	700	3100
MKP4A	-4R	0.2500	6.350	0.7500	19.050	0.2810	7.140	0.219	5.56	0.349	8.86	0.005	0.13	0.016	0.41	0.02	0.009	1880	8300	900	4000
MKP5A	-5R	0.3125	7.938	0.8125	20.638	0.2970	7.540	0.234	5.94	0.428	10.87	0.015	0.38	0.016	0.41	0.02	0.009	2190	9800	1000	4500
MKP6A	-6R	0.3750	9.525	0.8750	22.225	0.3130	7.950	0.250	6.35	0.505	12.83	0.015	0.38	0.016	0.41	0.03	0.014	2500	11200	1100	4900
MKP8A	-8R	0.5000	12.700	1.1250	28.575	0.3750	9.520	0.313	7.95	0.635	16.13	0.015	0.38	0.016	0.41	0.05	0.023	3910	17300	1700	7500
MKP10A	-10R	0.6250	15.875	1.3750	34.925	0.4060	10.310	0.344	8.74	0.760	19.30	0.015	0.38	0.032	0.81	0.08	0.036	6700	30000	3000	13400
MKP12A	-12R	0.7500	19.050	1.6250	41.275	0.4370	11.100	0.375	9.52	0.955	24.26	0.015	0.38	0.032	0.81	0.13	0.059	8790	39000	3900	17300
MKP16A	-16R	1.0000	25.400	2.0000	50.800	0.5000	12.700	0.438	11.13	1.262	32.05	0.015	0.38	0.032	0.81	0.22	0.100	11900	53000	5200	23200
MKP20A	-20R	1.2500	31.750	2.2500	57.150	0.5000	12.700	0.438	11.13	1.512	38.40	0.015	0.38	0.032	0.81	0.26	0.118	13800	61000	6100	27000

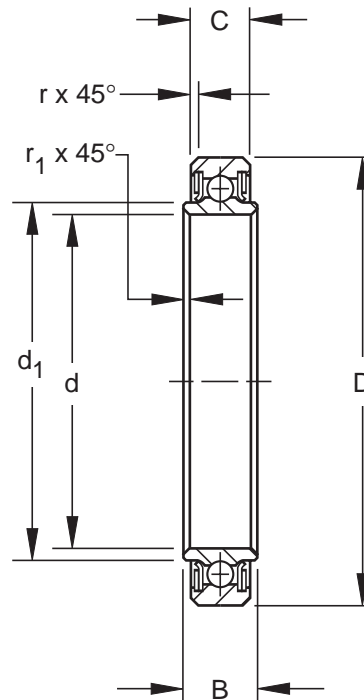
Note: These bearings should not be used as track rollers, cam follower rolls, and the like.



MKP-B Precision Series Radial Torque Tube Type

MS27642-S • MIL-B-7949

- Single row, ball.
- Equipped with Teflon seals.
- Prelubricated. (See Table 1, page 87 for options.)
- Exposed surfaces except bore, cap, and seals are cadmium plated.



TO ORDER, SPECIFY BEARING NUMBER AND FACTORY SPECIFICATION. SEE PAGE 87. (Example MKP16B FS464)

Bearing Number	MS 27642 Dash No.	Bore d		Outside Diameter D		Widths				d ₁		r ₁		r		Wt.		Radial Limit Load Rating		Thrust Limit Load Rating	
		in.	mm	in.	mm	B	C	B	C	in.	mm	in.	mm	in.	mm	lbs.	kg	lbs.	N	lbs.	N
MKP16B	-16S	1.0000	25.400	1.7500 ⁽¹⁾	44.450 ⁽¹⁾	0.4370	11.100	0.375	9.52	1.184	30.07	0.024	0.61	0.024	0.61	0.14	0.064	8090	36000	3600	16000
MKP21B	-21S	1.3125	33.338	2.0625	52.388	0.4370	11.100	0.375	9.52	1.478	37.54	0.024	0.61	0.024	0.61	0.16	0.073	9840	43000	4400	19600
MKP23B	-23S	1.4375	36.512	2.1875	55.562	0.4370	11.100	0.375	9.52	1.605	40.77	0.024	0.61	0.024	0.61	0.17	0.077	10500	46500	4700	20800
MKP25B	-25S	1.5625	39.688	2.3125	58.738	0.4370	11.100	0.375	9.52	1.720	43.69	0.024	0.61	0.024	0.61	0.19	0.086	11300	50000	5000	22400
MKP29B	-29S	1.8125	46.038	2.5625	65.088	0.4370	11.100	0.375	9.52	1.960	49.78	0.024	0.61	0.024	0.61	0.21	0.095	12700	56000	5600	25000
MKP33B	-33S	2.0625	52.388	2.8125	71.438	0.4370	11.100	0.375	9.52	2.262	57.45	0.024	0.61	0.024	0.61	0.23	0.104	14400	64000	6400	28500
MKP37B	-37S	2.3125	58.738	3.0625	77.788	0.4370	11.100	0.375	9.52	2.500	63.50	0.024	0.61	0.024	0.61	0.26	0.118	15800	71000	7000	31000
MKP47B	-47S	2.9375	74.612	3.8750	98.425	0.5310	13.490	0.469	11.91	3.120	79.25	0.039	0.99	0.039	0.99	0.49	0.222	24700	100000	10900	48000
MKP49B	-49S	3.0625	77.788	4.0000	101.600	0.5310	13.490	0.469	11.91	3.255	82.68	0.039	0.99	0.039	0.99	0.53	0.24	27500	122000	12100	54000

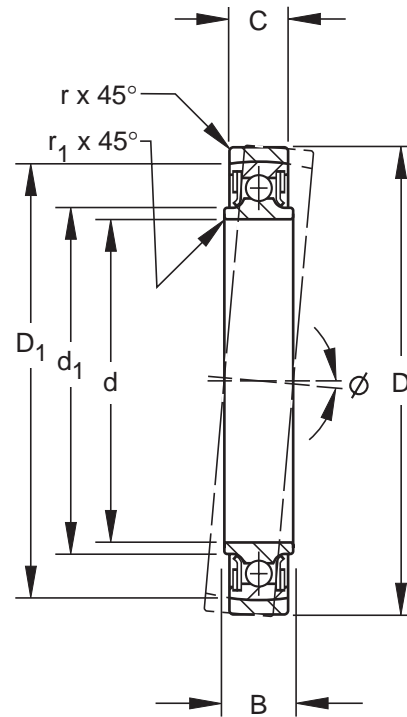
⁽¹⁾ +.0000" (+.000mm), -.0005" (-.013mm).

Note: These bearings should not be used as track rollers, cam follower rolls, and the like.



MKP-BS Precision Series Self-Aligning Torque Tube Type

- Single row, ball, externally self-aligning.
- Equipped with Teflon seals.
- Exposed surfaces except bore, cap, and seals are cadmium plated.
- Prelubricated. (See Table 1, page 87 for options.)
- This series is internally identical to the MKP-B series. Self-alignment is provided by an external self-aligning ring whose internal spherical-ground surface is accurately matched to the external spherical-ground surface of the outer ring. These bearings are designed to compensate for initial misalignment.



TO ORDER, SPECIFY BEARING NUMBER AND FACTORY SPECIFICATION. SEE PAGE 87. (Example MKP16BS FS464)

Bearing Number	Bore d		Outside Diameter D		Widths				d ₁		r ₁		r		D ₁ To Sharp Corner (ref.)		Ø Misalignment Either Direction		Wt. Approx.		Radial Limit Load Rating		Thrust Limit Load Rating	
	in.	mm	in.	mm	in.	mm	in.	mm	in.	mm	in.	mm	in.	mm	in.	mm	lbs.	kg	lbs.	N	lbs.	N		
MKP16BS	1.0000	25.400	1.9375	49.212	0.4370	11.100	0.375	9.52	1.184	30.07	0.024	0.61	0.024	0.61	1.709	43.41	7°25'	0.18	0.082	8090	36000	1600	7100	
MKP21BS	1.3125	33.338	2.2500	57.150	0.4370	11.100	0.375	9.52	1.478	37.54	0.024	0.61	0.024	0.61	2.028	51.51	6°30'	0.2	0.091	9840	43000	2000	9000	
*MKP23BS	1.4375	36.612	2.3750	60.325	0.4370	11.100	0.375	9.52	1.605	40.77	0.024	0.61	0.024	0.61	2.155	54.74	6°	0.22	0.1	10500	46500	2200	9800	
MKP25BS	1.5625	39.688	2.5000	63.500	0.4370	11.100	0.375	9.52	1.720	43.69	0.024	0.61	0.024	0.61	2.282	57.96	5°45'	0.25	0.113	11300	50000	2300	10200	
MKP29BS	1.8125	46.038	2.7500	69.850	0.4370	11.100	0.375	9.52	1.960	49.78	0.024	0.61	0.024	0.61	2.535	64.39	5°	0.27	0.122	12700	56000	2600	11600	
*MKP33BS	2.0625	52.388	3.0000	76.200	0.4370	11.100	0.375	9.52	2.262	57.45	0.024	0.61	0.024	0.61	2.787	70.79	5°	0.3	0.136	14400	64000	2900	12900	
*MKP37BS	2.3125	58.738	3.2500	82.550	0.4370	11.100	0.375	9.52	2.500	63.50	0.024	0.61	0.024	0.61	3.039	77.19	4°30'	0.33	0.15	15800	71000	3200	14300	
*MKP47BS	2.9375	74.612	4.1250	104.775	0.5310	13.490	0.469	11.91	3.120	79.25	0.039	0.99	0.039	0.99	3.846	97.69	4°30'	0.64	0.29	24700	100000	5000	22400	
MKP48BS	3.0000	76.200	4.2500	107.950	0.5310	13.490	0.469	11.91	3.255	82.68	0.039	0.99	0.039	0.99	3.972	100.89	4°	0.69	0.313	27500	122000	5500	24500	
MKP49BS	3.0625	77.788	4.2500	107.950	0.5310	13.490	0.469	11.91	3.255	82.68	0.039	0.99	0.039	0.99	3.972	100.89	4°	0.69	0.313	27500	122000	5500	24500	

Note: These bearings should not be used as track rollers, cam follower rolls, and the like.

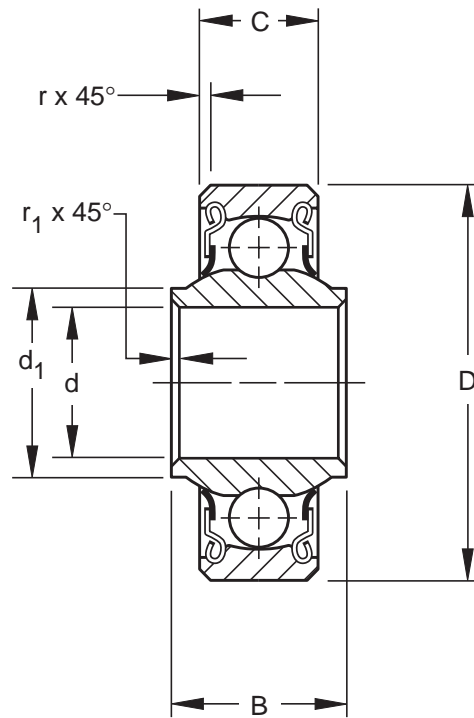
*Check for availability.



MKSP, MKSP-A Precision Series Self-Aligning Type

MS27645 • MIL-B-7949

- Single row, ball, self-aligning.
- Equipped with bonded Teflon seals.
- Exposed surfaces except bore, cap, and seals are cadmium plated.
- Prelubricated. (See Table 1, page 87 for options.)



TO ORDER, SPECIFY BEARING NUMBER AND FACTORY SPECIFICATION. SEE PAGE 87. (Example MKSP3L FS464)

Bearing Number ⁽¹⁾	MS 27645 Dash No.	Bore d		Outside Diameter D		Widths				d ₁		r ₁		r		Wt.		Radial Limit Load Rating	Thrust Limit Load Rating		
		+0.0000,-.0003 +0.000,-.008		+0.0000,-.0004 +0.000,-.010		+0.0000,-.0025 +0.000,-.064		+0.000,-.005 +0.00,-.13		Approx.		+0.015-.000 +0.38-.00		+0.015-.000 +0.38-.00		Approx.					
		in.	mm	in.	mm	in.	mm	in.	mm	in.	mm	in.	mm	in.	mm	lbs.	kg			lbs.	N
MKSP3L	-3AR	0.1900	4.826	0.6250	15.875	0.2450	6.220	0.203	5.16	0.256	6.50	0.005	0.13	0.016	0.41	0.01	0.005	550	2450	100	450
MKSP4A	-4AR	0.2500	6.350	0.7500	19.050	0.2810	7.140	0.219	5.56	0.328	8.33	0.005	0.13	0.016	0.41	0.02	0.009	900	4000	200	900
MKSP5A	-5AR	0.3125	7.938	0.8125	20.638	0.2970	7.540	0.234	5.94	0.389	9.88	0.015	0.38	0.016	0.41	0.02	0.009	1000	4400	200	900
MKSP6A	-6AR	0.3750	9.525	0.8750	22.225	0.3130	7.950	0.250	6.35	0.462	11.73	0.016	0.41	0.016	0.41	0.03	0.014	1120	5000	200	900
MKSP3	-3R	0.1900	4.826	0.7774	19.746	0.2970	7.540	0.270	6.86	0.297	7.54	0.005	0.13	0.022	0.56	0.03	0.014	900	4000	200	900
MKSP4	-4R	0.2500	6.350	0.9014	22.896	0.4840	12.290	0.335	8.51	0.396	10.06	0.005	0.13	0.032	0.81	0.04	0.018	1410	6300	300	1340
MKSP5	-5R	0.3125	7.938	1.2500	31.750	0.5580	14.170	0.375	9.52	0.567	14.40	0.015	0.38	0.032	0.81	0.1	0.045	2190	9800	300	1340
MKSP6	-6R	0.3750	9.525	1.4375	36.512	0.6200	15.750	0.469	11.91	0.612	15.54	0.015	0.38	0.032	0.81	0.15	0.068	2980	13200	400	1760
*MKSP8	-8R	0.5000	12.700	1.6875	42.862	0.6200	15.750	0.500	12.70	0.796	20.22	0.015	0.38	0.044	1.12	0.23	0.104	3670	16300	500	2240
*MKSP10	-10R	0.6250	15.875	1.9375	49.212	0.8130	20.650	0.625	15.88	0.922	23.42	0.015	0.38	0.044	1.12	0.37	0.168	5320	23600	600	2650

⁽¹⁾ These bearings are self-aligning for 10° in either direction except MKSP4A, MKSP5A and MKSP6A. Note: These bearings should not be used as track rollers, cam follower rolls, and the like, which are self-aligning for 8° in either direction.

Caution: Do not allow these bearings to act as misalignment stops.

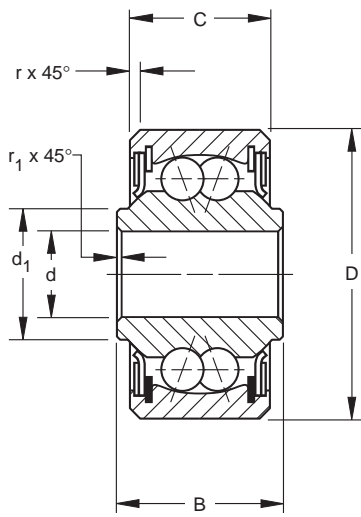
*Check for availability.



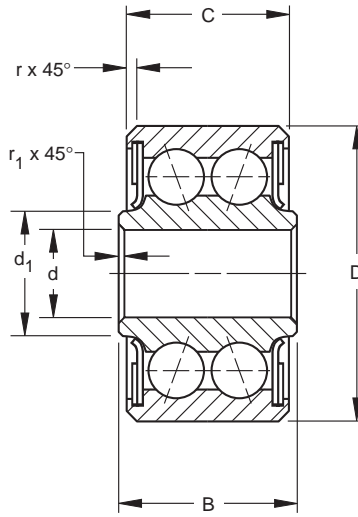
MDW, MDPP, MDSP Precision Series

MS27643/MS27647 • MIL-B-7949

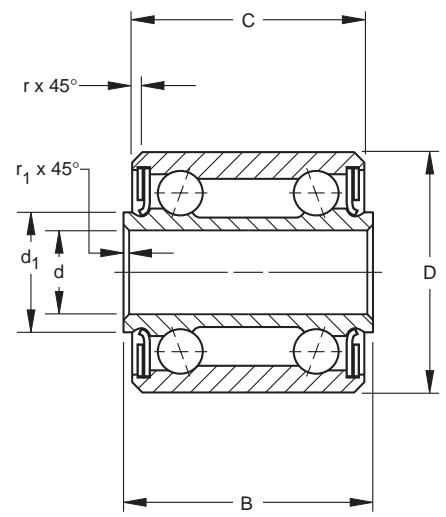
- Double row.
- Equipped with Teflon seals.
- Exposed surfaces except bore, cap, and seals are cadmium plated.
- Prelubricated. (See Table 1, page 87 for options.)



MDSP- Self Aligning Type



MDPP- Radial Type



MDW- Extra Wide Type

TO ORDER, SPECIFY BEARING NUMBER AND FACTORY SPECIFICATION. SEE PAGE 87. (Example MDSP3 FS464)

Bearing Number D	MS 27647 Dash No.	Bore d		Outside Diameter		Widths				d ₁		r ₁		r		Wt.		Radial Limit Load Rating		Thrust Limit Load Rating	
		in.	mm	in.	mm	in.	mm	in.	mm	in.	mm	in.	mm	in.	mm	lbs.	kg	lbs.	N	lbs.	N
		+0.0000,-.0003		+0.0000,-.0004		+0.0000,-.0025	+0.000,-.005						+0.015,-.000	+0.015,-.000							
		+0.000,-.008		+0.000,-.010		+0.000,-.064	+0.00,-.13			Approx.			+0.38,-.00	+0.38,-.00		Approx.					
		in.	mm	in.	mm	in.	mm	in.	mm	in.	mm	in.	mm	in.	mm	lbs.	kg	lbs.	N	lbs.	N
MDW4K ⁽¹⁾	-4AR	0.2500	6.350	0.6250	15.875	0.5620	14.275	0.500	12.70	0.339	8.61	0.005	0.13	0.016	0.41	0.025	0.011	1400	6200	500	2240
*MDW4K ⁽¹⁾	-4R	0.2500	6.350	0.7500	19.050	0.8750	22.225	0.750	19.05	0.380	9.65	0.005	0.13	0.016	0.41	0.04	0.018	2770	12200	900	4000
*MDW4	—	0.2500	6.350	0.7500	19.050	0.8750	22.225	0.750	19.05	0.375	9.52	0.005	0.13	0.016	0.41	0.06	0.027	3750	16600	1240	5500
MDW5	-5R	0.3125	7.938	0.8750	22.225	0.9380	23.825	0.813	20.65	0.469	11.91	0.005	0.13	0.016	0.41	0.07	0.032	5140	22800	1600	7100
MDW6	-6R	0.3750	9.525	1.0625	26.988	1.1880	30.175	1.063	27.00	0.573	14.55	0.005	0.13	0.016	0.41	0.12	0.054	8440	37500	2600	11600
MDW8	-8R	0.5000	12.700	1.4375	36.512	1.5000	38.100	1.375	34.92	0.712	18.08	0.005	0.13	0.032	0.81	0.29	0.132	15520	69500	4700	20800
*MDPP3	—	0.1900	4.826	0.7774	19.746	0.4950	12.570	0.473	12.01	0.302	7.67	0.005	0.13	0.018	0.46	0.04	0.018	2950	13200	1700	7500
MDPP4	—	0.2500	6.350	0.9014	22.896	0.6200	15.750	0.491	12.47	0.410	10.41	0.005	0.13	0.032	0.81	0.06	0.027	5370	24000	1800	8000
MDPP5	—	0.3125	7.938	1.2500	31.750	0.7450	18.920	0.687	17.45	0.469	11.91	0.015	0.38	0.032	0.81	0.17	0.077	11000	49000	4000	17600
*MDPP6	—	0.3750	9.525	1.4375	36.512	0.8700	22.100	0.794	20.17	0.551	14.00	0.015	0.38	0.032	0.81	0.26	0.118	15760	69500	5300	23600
*MDPP8	—	0.5000	12.700	1.6875	42.862	0.9320	23.670	0.856	21.74	0.735	18.67	0.015	0.38	0.044	1.12	0.38	0.172	23600	104000	7800	34500
*MDPP10	—	0.6250	15.875	1.9375	49.212	0.9950	25.270	0.920	23.37	0.890	22.61	0.015	0.38	0.044	1.12	0.53	0.240	28400	127000	9400	41500
	MS27643																				
MDSP3 ⁽²⁾	-3R	0.1900	4.826	0.7774	19.746	0.5000	12.700	0.392	9.96	0.304	7.72	0.005	0.13	0.022	0.56	0.04	0.018	1420	6400	200	900
MDSP4 ⁽²⁾	-4R	0.2500	6.350	0.9014	22.896	0.6870	17.450	0.464	11.79	0.430	10.92	0.005	0.13	0.032	0.81	0.06	0.027	1780	8000	300	1340
MDSP5 ⁽²⁾	-5R	0.3125	7.938	1.2500	31.750	0.8120	20.620	0.656	16.66	0.515	13.08	0.015	0.38	0.032	0.81	0.16	0.073	3740	16600	600	2650
MDSP6 ⁽²⁾	-6R	0.3750	9.525	1.4375	36.512	0.9370	23.800	0.750	19.05	0.564	14.33	0.015	0.38	0.032	0.81	0.24	0.109	5100	22800	800	3550
*MDSP8 ⁽²⁾	-8R	0.5000	12.700	1.6875	42.862	1.0000	25.400	0.812	20.62	0.775	19.68	0.015	0.38	0.044	1.12	0.36	0.163	7120	31500	1000	4400
*MDSP10 ⁽²⁾	-10R	0.6250	15.875	1.9375	49.212	1.1250	28.580	0.937	23.8	0.869	22.07	0.015	0.38	0.044	1.12	0.53	0.240	9000	40000	1300	5850

⁽¹⁾ Retainer type.

⁽²⁾ These bearings are self-aligning for 10° in either direction.

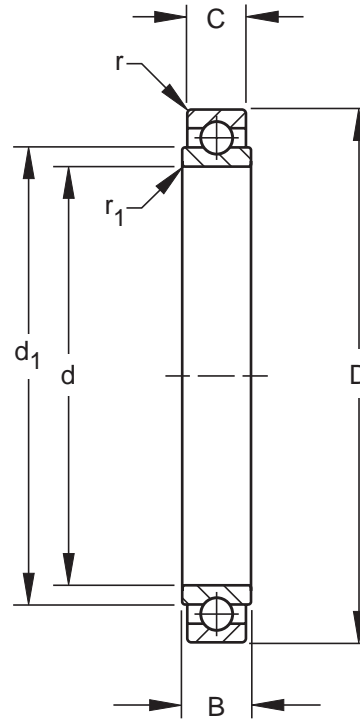
Note: These bearings should not be used as track rollers, cam follower rolls, and the like.

*Check for availability.



MB500 Precision Series Torque Tube Type

- Extra light duty.
- Single row, ball.
- This series is made of bearing quality chromium-alloy, high carbon steel and is not cadmium plated.
- Open type – no seals or shields.
- Prepacked with a preservative.



Bearing Number	Bore d		Outside Diameter D		Widths				d ₁		r ₁ ⁽³⁾		r ⁽³⁾		Wt.		Radial Limit Load Rating		Thrust Limit Load Rating	
	+0.0000,-.0005 +0.000,-.013		+0.0000,-.0005 +0.000,-.013		+0.0000,-.0025 +0.000,-.064		+0.000,-.005 +0.00,-.13		Approx.		+0.015,-.000 +0.38,-.00		+0.015,-.000 +0.38,-.00		Approx.		lbs.	N	lbs.	N
	in.	mm	in.	mm	in.	mm	in.	mm	in.	mm	in.	mm	in.	mm	lbs.	kg	lbs.	N	lbs.	N
MB538	0.6250	15.875	1.0625	26.988	0.2810	7.140	0.250	6.35	0.777	19.74	0.015	0.38	0.015	0.38	0.02	0.009	3280	14600	1500	6700
MB539	0.7500	19.050	1.1875	30.162	0.2810	7.140	0.250	6.35	0.895	22.73	0.015	0.38	0.015	0.38	0.03	0.014	3750	16600	1700	7500
MB540	0.8750	22.225	1.3125	33.338	0.2810	7.140	0.250	6.35	1.016	25.81	0.015	0.38	0.015	0.38	0.04	0.018	4220	18600	1900	8500
MB541	1.0625	26.988	1.5000	38.100	0.2810	7.140	0.250	6.35	1.216	30.89	0.015	0.38	0.015	0.38	0.05	0.023	5000	22400	2200	9800
MB542	1.3125	33.338	1.7500	44.450	0.2810	7.140	0.250	6.35	1.451	36.86	0.015	0.38	0.015	0.38	0.07	0.032	5950	26500	2700	12000
MB543	1.5625	39.688	2.0000	50.800	0.2810	7.140	0.250	6.35	1.702	43.23	0.015	0.38	0.015	0.38	0.08	0.036	6880	30500	3200	14300
MB544	1.8125 ⁽¹⁾	46.038 ⁽¹⁾	2.2500 ⁽²⁾	57.150 ⁽²⁾	0.2810	7.140	0.250	6.35	1.970	50.04	0.015	0.38	0.015	0.38	0.09	0.041	7980	35500	3600	16000
MB545	2.0625 ⁽¹⁾	52.388 ⁽¹⁾	2.6250 ⁽²⁾	66.675 ⁽²⁾	0.2810	7.140	0.250	6.35	2.286	58.06	0.015	0.38	0.015	0.38	0.13	0.059	9220	41500	4000	17600
*MB546 ⁽³⁾	2.3125 ⁽¹⁾	58.738 ⁽¹⁾	2.8750 ⁽²⁾	73.025 ⁽²⁾	0.2810	7.140	0.250	6.35	2.527	64.19	0.015	0.38	0.015	0.38	0.15	0.068	10150	45500	4400	19600

⁽¹⁾ +.0000" (+.000mm), -.0008" (-.020mm).

⁽²⁾ +.0000" (+.000mm), -.0007" (-.018mm).

⁽³⁾ Maximum shaft or housing fillet radius which bearing corners will clear.

Note: These bearings should not be used as track rollers, cam follower rolls, and the like.

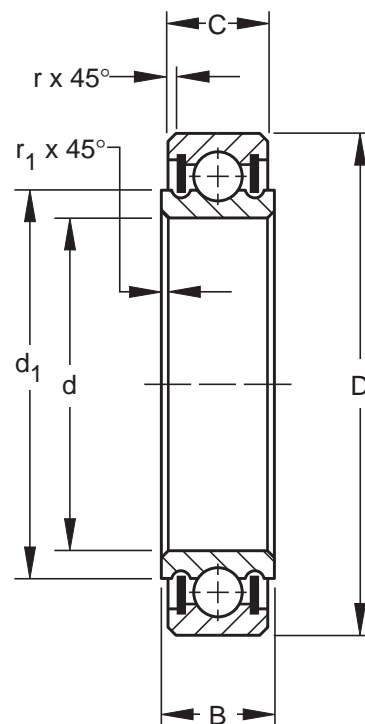
*Check for availability.



MB500DD Precision Series Torque Tube Type

MS21428 • MIL-B-7949

- Extra light duty.
- Single row, ball, torque tube type.
- Teflon coated glass fabric shields.
- Exposed surfaces except bore are cadmium plated.
- Prelubricated. (See Table 1, page 87 for options.)
- This series is dimensionally interchangeable with the unshielded MB500 series.



TO ORDER, SPECIFY BEARING NUMBER AND FACTORY SPECIFICATION. SEE PAGE 87. (Example MB538DD FS464)

Bearing Number	MS 21428 Dash No.	Bore d		Outside Diameter D		Widths				d ₁		r ₁ ⁽³⁾		r ⁽³⁾		Wt.		Radial Limit Load Rating		Thrust Limit Load Rating	
		in.	mm	in.	mm	B	C	in.	mm	in.	mm	in.	mm	in.	mm	lbs.	kg	lbs.	N	lbs.	N
MB538DD	-38	0.6250	15.875	1.0625	26.988	0.2810	7.140	0.250	6.35	0.777	19.74	0.015	0.38	0.015	0.38	0.03	0.014	3280	14600	1500	6700
MB539DD	-39	0.7500	19.050	1.1875	30.162	0.2810	7.140	0.250	6.35	0.895	22.73	0.015	0.38	0.015	0.38	0.04	0.018	3750	16600	1700	7500
MB540DD	-40	0.8750	22.225	1.3125	33.338	0.2810	7.140	0.250	6.35	1.016	25.81	0.015	0.38	0.015	0.38	0.05	0.023	4220	18600	1900	8500
MB541DD	-41	1.0625	26.988	1.5000	38.100	0.2810	7.140	0.250	6.35	1.216	30.89	0.015	0.38	0.015	0.38	0.06	0.027	5000	22400	2200	9800
MB542DD	-42	1.3125	33.338	1.7500	44.450	0.2810	7.140	0.250	6.35	1.451	36.86	0.015	0.38	0.015	0.38	0.09	0.041	5950	26500	2700	12000
MB543DD	-43	1.5625	39.688	2.0000	50.800	0.2810	7.140	0.250	6.35	1.702	43.23	0.015	0.38	0.015	0.38	0.1	0.045	6880	30500	3200	14300
MB544DD	-44	1.8125 ⁽¹⁾	46.038 ⁽¹⁾	2.2500 ⁽²⁾	57.150 ⁽²⁾	0.2810	7.140	0.250	6.35	1.970	50.04	0.015	0.38	0.015	0.38	0.11	0.05	7980	35500	3600	16000
MB545DD	-45	2.0625 ⁽¹⁾	52.388 ⁽¹⁾	2.6250 ⁽²⁾	66.675 ⁽²⁾	0.2810	7.140	0.250	6.35	2.286	58.06	0.015	0.38	0.015	0.38	0.15	0.068	9220	41500	4000	17600
MB546DD	-46	2.3125 ⁽¹⁾	58.738 ⁽¹⁾	2.875 ⁽²⁾	73.025 ⁽²⁾	0.2810	7.140	0.250	6.35	2.527	64.19	0.015	0.38	0.015	0.38	0.17	0.077	10150	45500	4400	19600

⁽¹⁾ +.0000" (+.000mm), -.0008" (-.020mm).

⁽²⁾ +.0000" (+.000mm), -.0007" (-.018mm).

⁽³⁾ Maximum shaft or housing fillet radius which bearing corners will clear.

Note: These bearings should not be used as track rollers, cam follower rolls, and the like.

*Check for availability.