

PLASTIC MOUNTED BLOCKS



WHY KMS Mounted Blocks and Bearings are Superior:

KMS Bearings, Inc. produces mounted blocks from PBT, an engineering polymer, that will never corrode or rust. When fitted with KMS' Plastic or AISI 316 Stainless insert ball bearings they provide superior corrosion resistance to any mounted unit offered today.

Thermoplastic Polyester (PBT) and AISI 316 Stainless are widely used in the food and medical industries. KMS mounted blocks and bearings can run in liquids or run dry at slow speeds.

A solid flat base prevents contaminants from entering the bottom of the housings. This flat surface cannot harbor objectionable dirt, mold or bacteria.

BLOCK CONSTRUCTION: Blocks are first molded from a high grade of glass filled thermoplastic polyester (PBT). The block's spherical bore is machined for concentricity and proper fit of the insert bearing. The last step in manufacturing is machining the solid base for flatness.

BEARING CONSTRUCTION: Machined semi-precision rings, polymer cages and AISI 316 Stainless balls are used in the manufacture of KMS Plastic & AISI 316 Stainless insert ball bearings. This type of bearing is intended primarily to reduce friction and permit free movement of turning parts. They are best suited for moderate loads and slow speeds.

MATERIALS:

RINGS: Plastic: Acetal
Stainless: AISI 316

BALLS: Standard balls are AISI 316. When necessary, other types of balls are available on a special order basis.

BALL RETAINER (CAGE): Polymer

SHIELDS/SEALS:

Open design is standard. Polymer shield/seals can be provided on a special order basis.

LUBRICATION:

Plastic race type are supplied dry and AISI 316 Stainless race type come with a light non contaminating oil. When necessary, special order lubricants can be provided.

TEMPERATURE: In Air: 180 °F; Submerged in Water: 120 °F
For higher temperatures consult KMS.

Ten Good Reasons For Use...

1. CORROSION RESISTANCE: Most bearings failures today are caused by corrosion. A KMS Block & Bearing can be utilized in environments destructive to conventional units.

2. LUBE FREE: Plastic or AISI 316 Stainless can run without lubrication at slow speeds and low loads.

3. HYGIENIC: Bearing inserts are made from Plastic or AISI 316 Stainless and are naturally clean because they do not corrode or require lubrication in certain applications. Housings have smooth surfaces and a solid base that does not harbor objectionable dirt, mold or bacteria.

4. WASH DOWN: They can be washed down without the penalty of having to re-lube to prevent rust.

5. WILL NOT CHIP OR PEEL: With cast iron housings if the paint is scratched or chipped it will rust. KMS housings are solid PBT Plastic.

6. REDUCED DOWNTIME: Bearings and blocks with superior corrosion resistance will live longer requiring less frequent replacements.

7. NSF & FDA APPROVED MATERIALS: AISI 316 Stainless, PBT and Acetal plastic are food and medical grade materials.

8. RUNS IN LIQUIDS: Due to the materials used our bearings and housings can run in liquids.

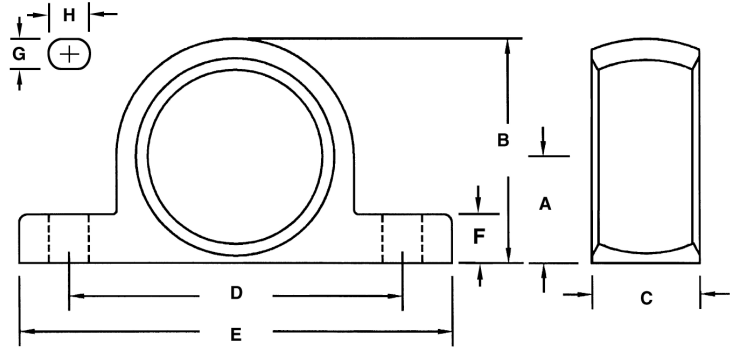
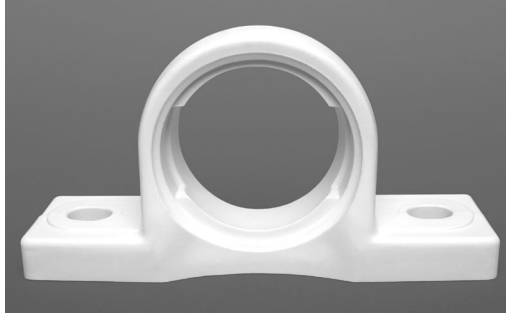
9. CAN RUN DRY: Plastic & AISI 316 Stainless do not require oil or grease for corrosion protection. Therefore, if the speed and load are low there is no need for lubrication.

10. LIGHTWEIGHT: A KMS plastic housing fitted with a polymer race insert bearing is five (5) times lighter than conventional cast iron housing and steel bearing.



PLASTIC MOUNTED BLOCKS

Plastic Pillow Block (PPL) Block Only



PART NUMBER	SHAFT SIZE REFERENCE	DIMENSION							
		A mm (inch)	B mm (inch)	C mm (inch)	D mm (inch)	E mm (inch)	F mm (inch)	G mm (inch)	H mm (inch)
PPL204	1/2, 5/8, 3/4"	33.3 (1.33)	65 (2.56)	38 (1.49)	95 (3.74)	127 (5.00)	14.2 (0.55)	11 (0.43)	14 (0.55)
PPL205	3/4, 5/8, 1"	36.5 (1.41)	71 (2.79)	38 (1.49)	105 (4.13)	140.5 (5.53)	14.5 (0.57)	11 (0.43)	14 (0.55)
PPL206	1-1/8, 1-3/16, 1-1/4"	42.9 (1.68)	84 (3.30)	46 (1.81)	119 (4.68)	163 (6.41)	17.8 (0.66)	14 (0.55)	18 (0.70)

- Plastic Mounted Blocks are available with a variety of insert bearings to best suit your application.
- For delivery contact KMS, some sizes and types may not be in stock and may require a minimum order.
- Information presented is believed to be accurate at the time of publication but is subject to change without notice.

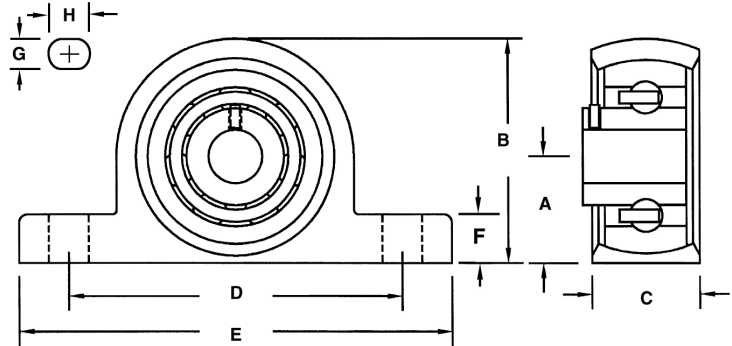
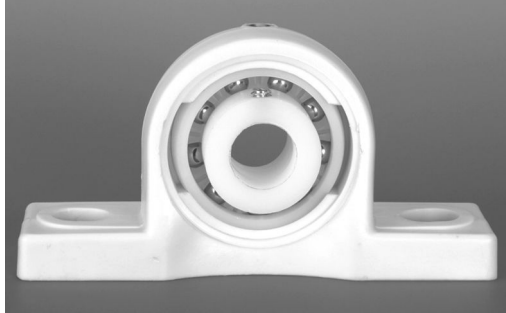
VARIATIONS & CUSTOM SIZES MADE EASILY FOR LOW AND HIGH QUANTITIES
Corrosion Resistant • Lube Free • Hygienic • Non-Metallic • Non-Magnetic • Light Weight • Design Flexibility



KMS Bearings, Inc. • 1560 Harmony Circle, Anaheim, CA 92807 • (714) 970-0280 • FAX (714) 970-0560
 Toll Free (800) 448-2412 • www.KMSBearings.com

PLASTIC MOUNTED BLOCKS

PBT Polyester Plastic Pillow Block (PPL) Fitted with Acetal Insert Bearings (AIB)



PART NUMBER	BORE SIZE	WIDTH OF INNER RING	DIMENSION								MAX. RPM (NO LOAD)	DYNAMIC LOAD CAPACITY	STATIC LOAD CAPACITY
			A mm (Inch)	B mm (Inch)	C mm (Inch)	D mm (Inch)	E mm (Inch)	F mm (Inch)	G mm (Inch)	H mm (Inch)			
PPL204-AIB-1/2-6	1/2 in	0.591 in	33.3 (1.33)	65 (2.56)	38 (1.49)	95 (3.74)	127 (5.00)	14.2 (0.55)	11 (0.43)	14 (0.55)	840	78 lbs	52 lbs
PPL204-AIB-5/8-6	5/8 in	0.591 in	33.3 (1.33)	65 (2.56)	38 (1.49)	95 (3.74)	127 (5.00)	14.2 (0.55)	11 (0.43)	14 (0.55)	840	78 lbs	52 lbs
PPL204-AIB-3/4-6	3/4 in	0.591 in	33.3 (1.33)	65 (2.56)	38 (1.49)	95 (3.74)	127 (5.00)	14.2 (0.55)	11 (0.43)	14 (0.55)	840	78 lbs	52 lbs
PPL205-AIB-3/4-6	3/4 in	0.709 in	36.5 (1.41)	71 (2.79)	38 (1.49)	105 (4.13)	140.5 (5.53)	14.5 (0.57)	11 (0.43)	14 (0.55)	729	92 lbs	61 lbs
PPL205-AIB-5/8-6	5/8 in	0.709 in	36.5 (1.41)	71 (2.79)	38 (1.49)	105 (4.13)	140.5 (5.53)	14.5 (0.57)	11 (0.43)	14 (0.55)	729	92 lbs	61 lbs
PPL205-AIB-1-6	1 in	0.709 in	36.5 (1.41)	71 (2.79)	38 (1.49)	105 (4.13)	140.5 (5.53)	14.5 (0.57)	11 (0.43)	14 (0.55)	729	92 lbs	61 lbs
PPL206-AIB-1-1/8-6	1 1/8 in	0.709 in	42.9 (1.68)	84 (3.30)	46 (1.81)	119 (4.68)	163 (6.41)	17.8 (0.66)	14 (0.55)	18 (0.70)	690	151 lbs	114 lbs
PPL206-AIB-1-3/16-6	1 3/16 in	0.709 in	42.9 (1.68)	84 (3.30)	46 (1.81)	119 (4.68)	163 (6.41)	17.8 (0.66)	14 (0.55)	18 (0.70)	690	151 lbs	114 lbs
PPL206-AIB-1-1/4-6	1 1/4 in	0.709 in	42.9 (1.68)	84 (3.30)	46 (1.81)	119 (4.68)	163 (6.41)	17.8 (0.66)	14 (0.55)	18 (0.70)	690	151 lbs	114 lbs

- Plastic Mounted Blocks are available with a variety of insert bearings to best suit your application.
- For delivery contact KMS, some sizes and types may not be in stock and may require a minimum order.
- Information presented is believed to be accurate at the time of publication but is subject to change without notice.

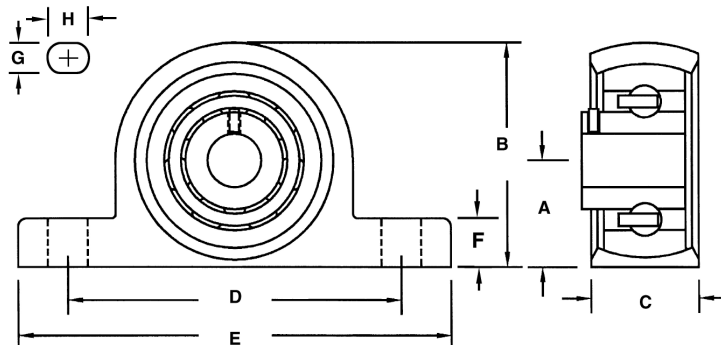
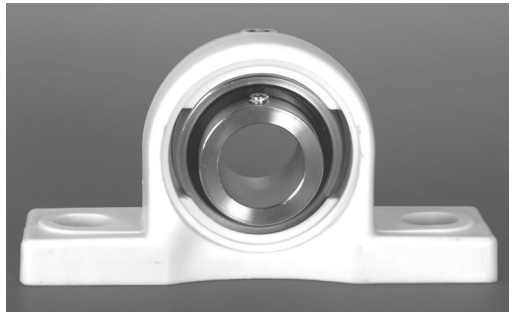
VARIATIONS & CUSTOM SIZES MADE EASILY FOR LOW AND HIGH QUANTITIES
Corrosion Resistant • Lube Free • Hygienic • Non-Metallic • Non-Magnetic • Light Weight • Design Flexibility



KMS Bearings, Inc. • 1560 Harmony Circle, Anaheim, CA 92807 • (714) 970-0280 • FAX (714) 970-0560
Toll Free (800) 448-2412 • www.KMSBearings.com

PLASTIC MOUNTED BLOCKS

PBT Polyester Plastic Pillow Block (PPL) Fitted with SS316 Stainless Bearing



PART NUMBER	BORE SIZE	WIDTH OF INNER RING	DIMENSION								MAX. RPM (NO LOAD)	DYNAMIC LOAD CAPACITY	STATIC LOAD CAPACITY
			A mm (Inch)	B mm (Inch)	C mm (Inch)	D mm (Inch)	E mm (Inch)	F mm (Inch)	G mm (Inch)	H mm (Inch)			
PPL204-SSIB-1/2-6	1/2 in	0.591 in	33.3 (1.33)	65 (2.56)	38 (1.49)	95 (3.74)	127 (5.00)	14.2 (0.55)	11 (0.43)	14 (0.55)	840	234 lbs	156 lbs
PPL204-SSIB-5/8-6	5/8 in	0.591 in	33.3 (1.33)	65 (2.56)	38 (1.49)	95 (3.74)	127 (5.00)	14.2 (0.55)	11 (0.43)	14 (0.55)	840	234 lbs	156 lbs
PPL204-SSIB-3/4-6	3/4 in	0.591 in	33.3 (1.33)	65 (2.56)	38 (1.49)	95 (3.74)	127 (5.00)	14.2 (0.55)	11 (0.43)	14 (0.55)	840	234 lbs	156 lbs
PPL205-SSIB-3/4-6	3/4 in	0.709 in	36.5 (1.41)	71 (2.79)	38 (1.49)	105 (4.13)	140.5 (5.53)	14.5 (0.57)	11 (0.43)	14 (0.55)	729	276 lbs	183 lbs
PPL205-SSIB-5/8-6	5/8 in	0.709 in	36.5 (1.41)	71 (2.79)	38 (1.49)	105 (4.13)	140.5 (5.53)	14.5 (0.57)	11 (0.43)	14 (0.55)	729	276 lbs	183 lbs
PPL205-SSIB-1-6	1 in	0.709 in	36.5 (1.41)	71 (2.79)	38 (1.49)	105 (4.13)	140.5 (5.53)	14.5 (0.57)	11 (0.43)	14 (0.55)	729	276 lbs	183 lbs
PPL206-SSIB-1-1/8-6	1 1/8 in	0.709 in	42.9 (1.68)	84 (3.30)	46 (1.81)	119 (4.68)	163 (6.41)	17.8 (0.66)	14 (0.55)	18 (0.70)	690	378 lbs	285 lbs
PPL206-SSIB-1-3/16-6	1 3/16 in	0.709 in	42.9 (1.68)	84 (3.30)	46 (1.81)	119 (4.68)	163 (6.41)	17.8 (0.66)	14 (0.55)	18 (0.70)	690	378 lbs	285 lbs
PPL206-SSIB-1-1/4-6	1 1/4 in	0.709 in	42.9 (1.68)	84 (3.30)	46 (1.81)	119 (4.68)	163 (6.41)	17.8 (0.66)	14 (0.55)	18 (0.70)	690	378 lbs	285 lbs

- Plastic Mounted Blocks are available with a variety of insert bearings to best suit your application.
- For delivery contact KMS, some sizes and types may not be in stock and may require a minimum order.
- Information presented is believed to be accurate at the time of publication but is subject to change without notice.

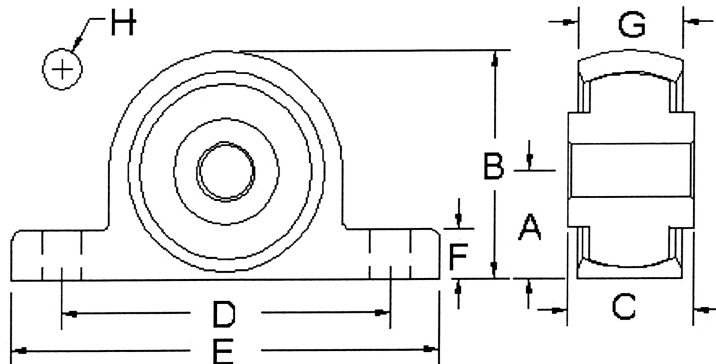
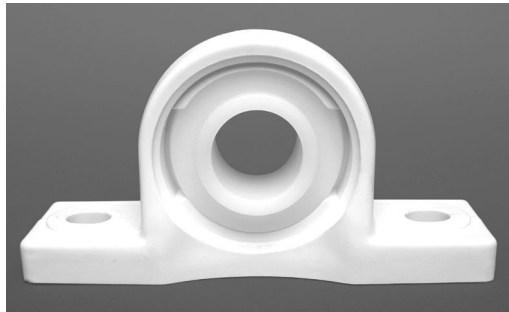
VARIATIONS & CUSTOM SIZES MADE EASILY FOR LOW AND HIGH QUANTITIES
Corrosion Resistant • Lube Free • Hygienic • Non-Metallic • Non-Magnetic • Light Weight • Design Flexibility



KMS Bearings, Inc. • 1560 Harmony Circle, Anaheim, CA 92807 • (714) 970-0280 • FAX (714) 970-0560
Toll Free (800) 448-2412 • www.KMSBearings.com

PLASTIC MOUNTED BLOCKS

PBT Polyester Plastic Pillow Block (PPL) Fitted with Solid Insert Bearing (UHMW)



PART NUMBER	BORE SIZE	WIDTH OF INNER RING	DIMENSION								MAX. RPM (NO LOAD)	DYNAMIC LOAD CAPACITY	STATIC LOAD CAPACITY
			A mm (Inch)	B mm (Inch)	C mm (Inch)	D mm (Inch)	E mm (Inch)	F mm (Inch)	G mm (Inch)	H mm (Inch)			
PPL204-SIB-1/2-6	1/2 in	0.591 in	33.3 (1.33)	65 (2.56)	38 (1.49)	95 (3.74)	127 (5.00)	14.2 (0.55)	11 (0.43)	14 (0.55)	350	275 lbs	325 lbs
PPL204-SIB-5/8-6	5/8 in	0.591 in	33.3 (1.33)	65 (2.56)	38 (1.49)	95 (3.74)	127 (5.00)	14.2 (0.55)	11 (0.43)	14 (0.55)	350	275 lbs	325 lbs
PPL204-SIB-3/4-6	3/4 in	0.591 in	33.3 (1.33)	65 (2.56)	38 (1.49)	95 (3.74)	127 (5.00)	14.2 (0.55)	11 (0.43)	14 (0.55)	350	275 lbs	325 lbs
PPL205-SIB-3/4-6	3/4 in	0.709 in	36.5 (1.41)	71 (2.79)	38 (1.49)	105 (4.13)	140.5 (5.53)	14.5 (0.57)	11 (0.43)	14 (0.55)	300	350 lbs	400 lbs
PPL205-SIB-5/8-6	5/8 in	0.709 in	36.5 (1.41)	71 (2.79)	38 (1.49)	105 (4.13)	140.5 (5.53)	14.5 (0.57)	11 (0.43)	14 (0.55)	300	350 lbs	400 lbs
PPL205-SIB-1-6	1 in	0.709 in	36.5 (1.41)	71 (2.79)	38 (1.49)	105 (4.13)	140.5 (5.53)	14.5 (0.57)	11 (0.43)	14 (0.55)	300	350 lbs	400 lbs
PPL206-SIB-1-1/8-6	1 1/8 in	0.709 in	42.9 (1.68)	84 (3.30)	46 (1.81)	119 (4.68)	163 (6.41)	17.8 (0.66)	14 (0.55)	18 (0.70)	285	450 lbs	500 lbs
PPL206-SIB-1-3/16-6	1 3/16 in	0.709 in	42.9 (1.68)	84 (3.30)	46 (1.81)	119 (4.68)	163 (6.41)	17.8 (0.66)	14 (0.55)	18 (0.70)	285	450 lbs	500 lbs
PPL206-SIB-1-1/4-6	1 1/4 in	0.709 in	42.9 (1.68)	84 (3.30)	46 (1.81)	119 (4.68)	163 (6.41)	17.8 (0.66)	14 (0.55)	18 (0.70)	285	450 lbs	500 lbs

- Plastic Mounted Blocks are available with a variety of insert bearings to best suit your application.
- For delivery contact KMS, some sizes and types may not be in stock and may require a minimum order.
- Information presented is believed to be accurate at the time of publication but is subject to change without notice.

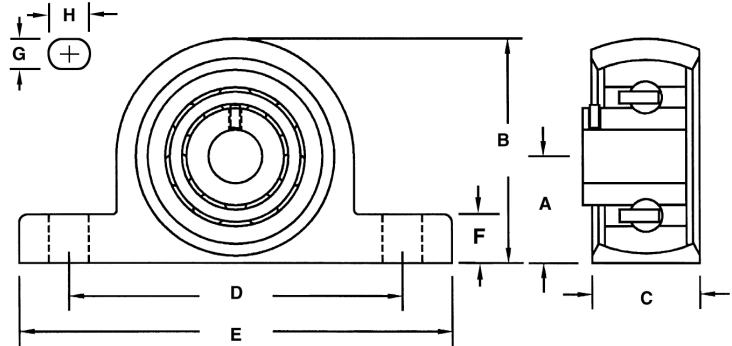
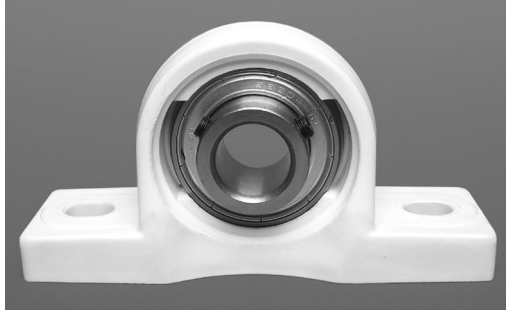
VARIATIONS & CUSTOM SIZES MADE EASILY FOR LOW AND HIGH QUANTITIES
Corrosion Resistant • Lube Free • Hygienic • Non-Metallic • Non-Magnetic • Light Weight • Design Flexibility



KMS Bearings, Inc. • 1560 Harmony Circle, Anaheim, CA 92807 • (714) 970-0280 • FAX (714) 970-0560
Toll Free (800) 448-2412 • www.KMSBearings.com

PLASTIC MOUNTED BLOCKS

PBT Polyester Plastic Pillow Block (PPL) Fitted with 52100 Steel Bearing



PART NUMBER	BORE SIZE	DIMENSION								DYNAMIC LOAD CAPACITY	STATIC LOAD CAPACITY
		A mm (Inch)	B mm (Inch)	C mm (Inch)	D mm (Inch)	E mm (Inch)	F mm (Inch)	G mm (Inch)	H mm (Inch)		
PPL204-STL-1/2-6	1/2 in	33.3 (1.33)	65 (2.56)	38 (1.49)	95 (3.74)	127 (5.00)	14.2 (0.55)	11 (0.43)	14 (0.55)	2220 lbs	1390 lbs
PPL204-STL-5/8-6	5/8 in	33.3 (1.33)	65 (2.56)	38 (1.49)	95 (3.74)	127 (5.00)	14.2 (0.55)	11 (0.43)	14 (0.55)	2220 lbs	1390 lbs
PPL204-STL-3/4-6	3/4 in	33.3 (1.33)	65 (2.56)	38 (1.49)	95 (3.74)	127 (5.00)	14.2 (0.55)	11 (0.43)	14 (0.55)	2220 lbs	1390 lbs
PPL205-STL-3/4-6	3/4 in	36.5 (1.41)	71 (2.79)	38 (1.49)	105 (4.13)	140.5 (5.53)	14.5 (0.57)	11 (0.43)	14 (0.55)	2430 lbs	1560 lbs
PPL205-STL-5/8-6	5/8 in	36.5 (1.41)	71 (2.79)	38 (1.49)	105 (4.13)	140.5 (5.53)	14.5 (0.57)	11 (0.43)	14 (0.55)	2430 lbs	1560 lbs
PPL205-STL-1-6	1 in	36.5 (1.41)	71 (2.79)	38 (1.49)	105 (4.13)	140.5 (5.53)	14.5 (0.57)	11 (0.43)	14 (0.55)	2430 lbs	1560 lbs
PPL206-STL-1-1/8-6	1 1/8 in	42.9 (1.68)	84 (3.30)	46 (1.81)	119 (4.68)	163 (6.41)	17.8 (0.66)	14 (0.55)	18 (0.70)	3490 lbs	2250 lbs
PPL206-STL-1-3/16-6	1 3/16 in	42.9 (1.68)	84 (3.30)	46 (1.81)	119 (4.68)	163 (6.41)	17.8 (0.66)	14 (0.55)	18 (0.70)	3490 lbs	2250 lbs
PPL206-STL-1-1/4-6	1 1/4 in	42.9 (1.68)	84 (3.30)	46 (1.81)	119 (4.68)	163 (6.41)	17.8 (0.66)	14 (0.55)	18 (0.70)	3490 lbs	2250 lbs

- Plastic Mounted Blocks are available with a variety of insert bearings to best suit your application.
- For delivery contact KMS, some sizes and types may not be in stock and may require a minimum order.
- Information presented is believed to be accurate at the time of publication but is subject to change without notice.

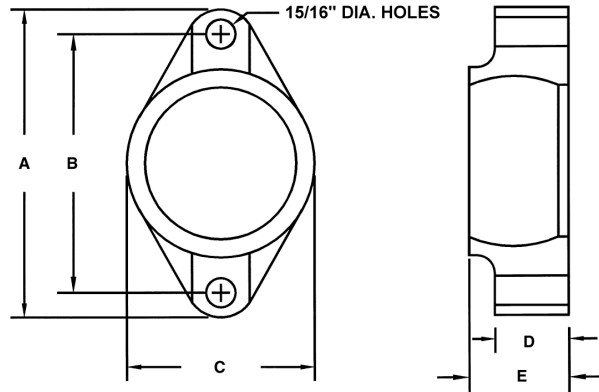
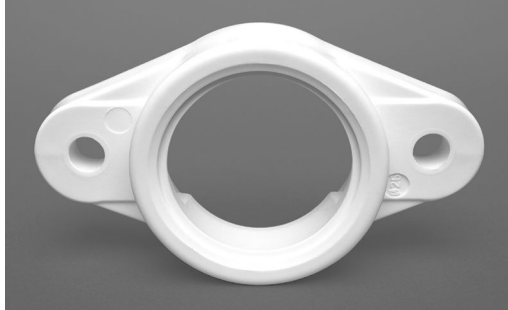
VARIATIONS & CUSTOM SIZES MADE EASILY FOR LOW AND HIGH QUANTITIES
Corrosion Resistant • Lube Free • Hygienic • Non-Metallic • Non-Magnetic • Light Weight • Design Flexibility



KMS Bearings, Inc. • 1560 Harmony Circle, Anaheim, CA 92807 • (714) 970-0280 • FAX (714) 970-0560
Toll Free (800) 448-2412 • www.KMSBearings.com

PLASTIC MOUNTED BLOCKS

PBT Polyester 2-Bolt Flange (NFL) Block Only



PART NUMBER	SHAFT SIZE REFERENCE	DIMENSION				
		A mm (inch)	B mm (inch)	C mm (inch)	D mm (inch)	E mm (inch)
NFL204	1/2, 5/8, 3/4"	113 (4.49)	90 (3.54)	64 (2.52)	11.4 (0.448)	26.5 (1.04)
NFL205	3/4, 5/8, 1"	131 (5.16)	99 (3.89)	69.5 (2.74)	13.5 (0.523)	29.1 (1.15)
NFL206	1-1/8, 1-3/16, 1-1/4	148 (5.83)	117 (4.61)	80 (3.15)	13.3 (0.522)	30.5 (1.20)

- Plastic Mounted Blocks are available with a variety of insert bearings to best suit your application.
- For delivery contact KMS, some sizes and types may not be in stock and may require a minimum order.
- Information presented is believed to be accurate at the time of publication but is subject to change without notice.

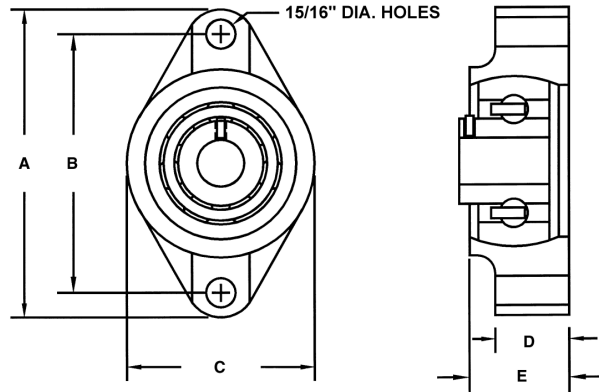
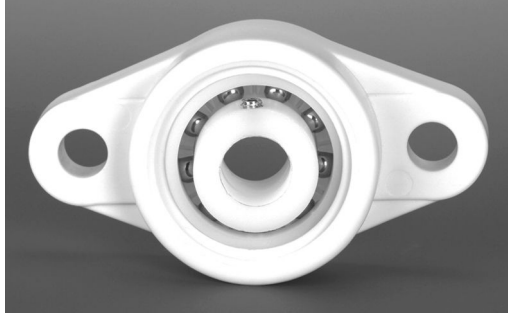
VARIATIONS & CUSTOM SIZES MADE EASILY FOR LOW AND HIGH QUANTITIES
Corrosion Resistant • Lube Free • Hygienic • Non-Metallic • Non-Magnetic • Light Weight • Design Flexibility



KMS Bearings, Inc. • 1560 Harmony Circle, Anaheim, CA 92807 • (714) 970-0280 • FAX (714) 970-0560
 Toll Free (800) 448-2412 • www.KMSBearings.com

PLASTIC MOUNTED BLOCKS

PBT Polyester 2-Bolt Flange (NFL) Fitted with Acetal Insert Bearings (AIB)



PART NUMBER	BORE SIZE	WIDTH OF INNER RING	DIMENSION					MAX. RPM (NO LOAD)	DYNAMIC LOAD CAPACITY	STATIC LOAD CAPACITY
			A mm (Inch)	B mm (Inch)	C mm (Inch)	D mm (Inch)	E mm (Inch)			
NFL204-AIB-1/2-6	1/2 in	0.591 in	113 (4.49)	90 (3.54)	64 (2.52)	11.4 (0.448)	26.5 (1.04)	840	78 lbs	52 lbs
NFL204-AIB-5/8-6	5/8 in	0.591 in	113 (4.49)	90 (3.54)	64 (2.52)	11.4 (0.448)	26.5 (1.04)	840	78 lbs	52 lbs
NFL204-AIB-3/4-6	3/4 in	0.591 in	113 (4.49)	90 (3.54)	64 (2.52)	11.4 (0.448)	26.5 (1.04)	840	78 lbs	52 lbs
NFL205-AIB-3/4-6	3/4 in	0.709 in	131 (5.16)	99 (3.89)	69.5 (2.74)	13.5 (0.523)	29.1 (1.15)	729	92 lbs	61 lbs
NFL205-AIB-5/8-6	5/8 in	0.709 in	131 (5.16)	99 (3.89)	69.5 (2.74)	13.5 (0.523)	29.1 (1.15)	729	92 lbs	61 lbs
NFL205-AIB-1-6	1 in	0.709 in	131 (5.16)	99 (3.89)	69.5 (2.74)	13.5 (0.523)	29.1 (1.15)	729	92 lbs	61 lbs
NFL206-AIB-1-1/8-6	1 1/8 in	0.709 in	148 (5.83)	117 (4.61)	80 (3.15)	13.3 (0.522)	30.5 (1.20)	690	151 lbs	114 lbs
NFL206-AIB-1-3/16-6	1 3/16 in	0.709 in	148 (5.83)	117 (4.61)	80 (3.15)	13.3 (0.522)	30.5 (1.20)	690	151 lbs	114 lbs
NFL206-AIB-1-1/4-6	1 1/4 in	0.709 in	148 (5.83)	117 (4.61)	80 (3.15)	13.3 (0.522)	30.5 (1.20)	690	151 lbs	114 lbs

- Plastic Mounted Blocks are available with a variety of insert bearings to best suit your application.
- For delivery contact KMS, some sizes and types may not be in stock and may require a minimum order.
- Information presented is believed to be accurate at the time of publication but is subject to change without notice.

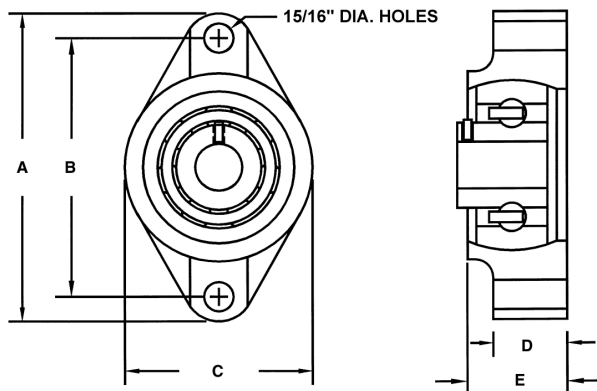
VARIATIONS & CUSTOM SIZES MADE EASILY FOR LOW AND HIGH QUANTITIES
Corrosion Resistant • Lube Free • Hygienic • Non-Metallic • Non-Magnetic • Light Weight • Design Flexibility



KMS Bearings, Inc. • 1560 Harmony Circle, Anaheim, CA 92807 • (714) 970-0280 • FAX (714) 970-0560
Toll Free (800) 448-2412 • www.KMSBearings.com

PLASTIC MOUNTED BLOCKS

PBT Polyester 2-Bolt Flange (NFL) Fitted with SS316 Stainless Bearing



PART NUMBER	BORE SIZE	WIDTH OF INNER RING	DIMENSION					MAX. RPM (NO LOAD)	DYNAMIC LOAD CAPACITY	STATIC LOAD CAPACITY
			A mm (Inch)	B mm (Inch)	C mm (Inch)	D mm (Inch)	E mm (Inch)			
NFL204-SSIB-1/2-6	1/2 in	0.591 in	113 (4.49)	90 (3.54)	64 (2.52)	11.4 (0.448)	26.5 (1.04)	840	234 lbs	156 lbs
NFL204-SSIB-5/8-6	5/8 in	0.591 in	113 (4.49)	90 (3.54)	64 (2.52)	11.4 (0.448)	26.5 (1.04)	840	234 lbs	156 lbs
NFL204-SSIB-3/4-6	3/4 in	0.591 in	113 (4.49)	90 (3.54)	64 (2.52)	11.4 (0.448)	26.5 (1.04)	840	234 lbs	156 lbs
NFL205-SSIB-3/4-6	3/4 in	0.709 in	131 (5.16)	99 (3.89)	69.5 (2.74)	13.5 (0.523)	29.1 (1.15)	729	278 lbs	183 lbs
NFL205-SSIB-5/8-6	5/8 in	0.709 in	131 (5.16)	99 (3.89)	69.5 (2.74)	13.5 (0.523)	29.1 (1.15)	729	278 lbs	183 lbs
NFL205-SSIB-1-6	1 in	0.709 in	131 (5.16)	99 (3.89)	69.5 (2.74)	13.5 (0.523)	29.1 (1.15)	729	278 lbs	183 lbs
NFL206-SSIB-1-1/8-6	1 1/8 in	0.709 in	148 (5.83)	117 (4.61)	80 (3.15)	13.3 (0.522)	30.5 (1.20)	690	378 lbs	285 lbs
NFL206-SSIB-1-3/16-6	1 3/16 in	0.709 in	148 (5.83)	117 (4.61)	80 (3.15)	13.3 (0.522)	30.5 (1.20)	690	378 lbs	285 lbs
NFL206-SSIB-1-1/4-6	1 1/4 in	0.709 in	148 (5.83)	117 (4.61)	80 (3.15)	13.3 (0.522)	30.5 (1.20)	690	378 lbs	285 lbs

- Plastic Mounted Blocks are available with a variety of insert bearings to best suit your application.
- For delivery contact KMS, some sizes and types may not be in stock and may require a minimum order.
- Information presented is believed to be accurate at the time of publication but is subject to change without notice.

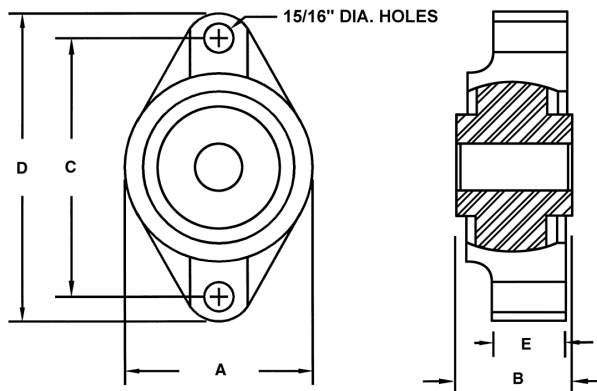
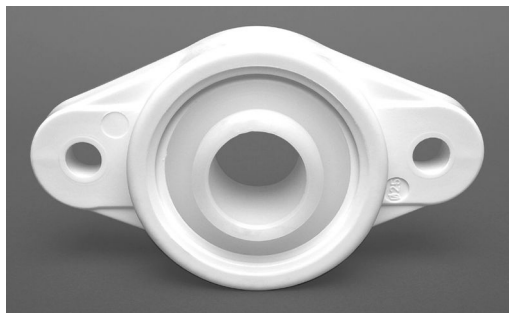
VARIATIONS & CUSTOM SIZES MADE EASILY FOR LOW AND HIGH QUANTITIES
Corrosion Resistant • Lube Free • Hygienic • Non-Metallic • Non-Magnetic • Light Weight • Design Flexibility



KMS Bearings, Inc. • 1560 Harmony Circle, Anaheim, CA 92807 • (714) 970-0280 • FAX (714) 970-0560
Toll Free (800) 448-2412 • www.KMSBearings.com

PLASTIC MOUNTED BLOCKS

PBT Polyester 2-Bolt Flange (NFL) Fitted with Solid Insert Bearing (UHMW)



PART NUMBER	BORE SIZE	WIDTH OF INNER RING	DIMENSION					MAX. RPM (NO LOAD)	DYNAMIC LOAD CAPACITY	STATIC LOAD CAPACITY
			A mm (Inch)	B mm (Inch)	C mm (Inch)	D mm (Inch)	E mm (Inch)			
NFL204-SIB-1/2-6	1/2 in	0.591 in	113 (4.49)	90 (3.54)	64 (2.52)	11.4 (0.448)	26.5 (1.04)	350	275 lbs	325 lbs
NFL204-SIB-5/8-6	5/8 in	0.591 in	113 (4.49)	90 (3.54)	64 (2.52)	11.4 (0.448)	26.5 (1.04)	350	275 lbs	325 lbs
NFL204-SIB-3/4-6	3/4 in	0.591 in	113 (4.49)	90 (3.54)	64 (2.52)	11.4 (0.448)	26.5 (1.04)	350	275 lbs	325 lbs
NFL205-SIB-3/4-6	3/4 in	0.709 in	131 (5.16)	99 (3.89)	69.5 (2.74)	13.5 (0.523)	29.1 (1.15)	300	350 lbs	400 lbs
NFL205-SIB-5/8-6	5/8 in	0.709 in	131 (5.16)	99 (3.89)	69.5 (2.74)	13.5 (0.523)	29.1 (1.15)	300	350 lbs	400 lbs
NFL205-SIB-1-6	1 in	0.709 in	131 (5.16)	99 (3.89)	69.5 (2.74)	13.5 (0.523)	29.1 (1.15)	300	350 lbs	400 lbs
NFL206-SIB-1-1/8-6	1 1/8 in	0.709 in	148 (5.83)	117 (4.61)	80 (3.15)	13.3 (0.522)	30.5 (1.20)	285	450 lbs	500 lbs
NFL206-SIB-1-3/16-6	1 3/16 in	0.709 in	148 (5.83)	117 (4.61)	80 (3.15)	13.3 (0.522)	30.5 (1.20)	285	450 lbs	500 lbs
NFL206-SIB-1-1/4-6	1 1/4 in	0.709 in	148 (5.83)	117 (4.61)	80 (3.15)	13.3 (0.522)	30.5 (1.20)	285	450 lbs	500 lbs

- Plastic Mounted Blocks are available with a variety of insert bearings to best suit your application.
- For delivery contact KMS, some sizes and types may not be in stock and may require a minimum order.
- Information presented is believed to be accurate at the time of publication but is subject to change without notice.

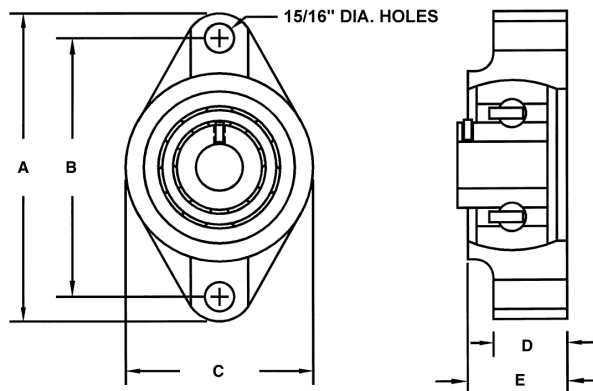
VARIATIONS & CUSTOM SIZES MADE EASILY FOR LOW AND HIGH QUANTITIES
Corrosion Resistant • Lube Free • Hygienic • Non-Metallic • Non-Magnetic • Light Weight • Design Flexibility



KMS Bearings, Inc. • 1560 Harmony Circle, Anaheim, CA 92807 • (714) 970-0280 • FAX (714) 970-0560
Toll Free (800) 448-2412 • www.KMSBearings.com

PLASTIC MOUNTED BLOCKS

PBT Polyester 2-Bolt Flange (NFL) Fitted with 52100 Steel Bearing



PART NUMBER	BORE SIZE	DIMENSION					DYNAMIC LOAD CAPACITY	STATIC LOAD CAPACITY
		A mm (Inch)	B mm (Inch)	C mm (Inch)	D mm (Inch)	E mm (Inch)		
NFL204-STL-1/2-6	1/2 in	113 (4.49)	90 (3.54)	64 (2.52)	11.4 (0.448)	26.5 (1.04)	2220 lbs	1390 lbs
NFL204-STL-5/8-6	5/8 in	113 (4.49)	90 (3.54)	64 (2.52)	11.4 (0.448)	26.5 (1.04)	2220 lbs	1390 lbs
NFL204-STL-3/4-6	3/4 in	113 (4.49)	90 (3.54)	64 (2.52)	11.4 (0.448)	26.5 (1.04)	2220 lbs	1390 lbs
NFL205-STL-3/4-6	3/4 in	131 (5.16)	99 (3.89)	69.5 (2.74)	13.5 (0.523)	29.1 (1.15)	2430 lbs	1560 lbs
NFL205-STL-5/8-6	5/8 in	131 (5.16)	99 (3.89)	69.5 (2.74)	13.5 (0.523)	29.1 (1.15)	2430 lbs	1560 lbs
NFL205-STL-1-6	1 in	131 (5.16)	99 (3.89)	69.5 (2.74)	13.5 (0.523)	29.1 (1.15)	2430 lbs	1560 lbs
NFL206-STL-1-1/8-6	1 1/8 in	148 (5.83)	117 (4.61)	80 (3.15)	13.3 (0.522)	30.5 (1.20)	3490 lbs	2250 lbs
NFL206-STL-1-3/16-6	1 3/16 in	148 (5.83)	117 (4.61)	80 (3.15)	13.3 (0.522)	30.5 (1.20)	3490 lbs	2250 lbs
NFL206-STL-1-1/4-6	1 1/4 in	148 (5.83)	117 (4.61)	80 (3.15)	13.3 (0.522)	30.5 (1.20)	3490 lbs	2250 lbs

- Plastic Mounted Blocks are available with a variety of insert bearings to best suit your application.
- For delivery contact KMS, some sizes and types may not be in stock and may require a minimum order.
- Information presented is believed to be accurate at the time of publication but is subject to change without notice.

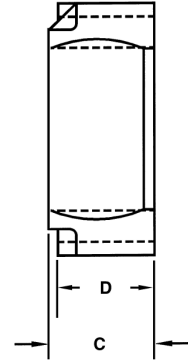
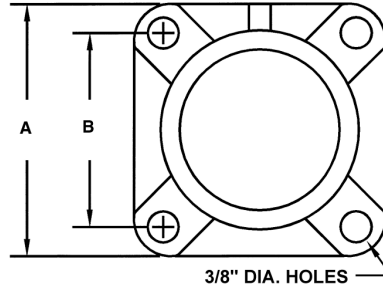
VARIATIONS & CUSTOM SIZES MADE EASILY FOR LOW AND HIGH QUANTITIES
Corrosion Resistant • Lube Free • Hygienic • Non-Metallic • Non-Magnetic • Light Weight • Design Flexibility



KMS Bearings, Inc. • 1560 Harmony Circle, Anaheim, CA 92807 • (714) 970-0280 • FAX (714) 970-0560
Toll Free (800) 448-2412 • www.KMSBearings.com

PLASTIC MOUNTED BLOCKS

PBT Polyester 4-Bolt Flange (FPL) Block Only



PART NUMBER	SHAFT SIZE REFERENCE	DIMENSION			
		A mm (inch)	B mm (inch)	C mm (inch)	D mm (inch)
FPL204	1/2, 5/8, 3/4"	86 (3.39)	63.5 (2.5)	27.8 (1.10)	14 (0.55)
FPL205	3/4, 5/8, 1"	95 (3.74)	70 (2.75)	28 (1.10)	14 (0.55)
FPL206	1-1/8, 1-3/16, 1-1/4	107 (4.21)	83 (3.26)	31.5 (1.24)	14.3 (0.56)

- Plastic Mounted Blocks are available with a variety of insert bearings to best suit your application.
- For delivery contact KMS, some sizes and types may not be in stock and may require a minimum order.
- Information presented is believed to be accurate at the time of publication but is subject to change without notice.

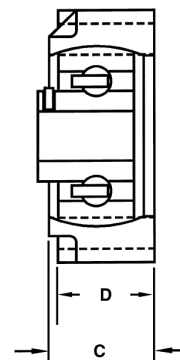
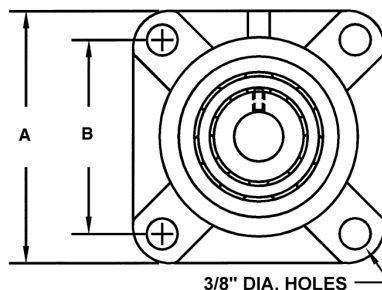
VARIATIONS & CUSTOM SIZES MADE EASILY FOR LOW AND HIGH QUANTITIES
Corrosion Resistant • Lube Free • Hygienic • Non-Metallic • Non-Magnetic • Light Weight • Design Flexibility



KMS Bearings, Inc. • 1560 Harmony Circle, Anaheim, CA 92807 • (714) 970-0280 • FAX (714) 970-0560
 Toll Free (800) 448-2412 • www.KMSBearings.com

PLASTIC MOUNTED BLOCKS

PBT Polyester 4-Bolt Flange (FPL) Fitted with Acetal Insert Bearings (AIB)



PART NUMBER	BORE SIZE	WIDTH OF INNER RING	DIMENSION				MAX. RPM (NO LOAD)	DYNAMIC LOAD CAPACITY	STATIC LOAD CAPACITY
			A mm (Inch)	B mm (Inch)	C mm (Inch)	D mm (Inch)			
FPL204-AIB-1/2-6	1/2 in	0.591 in	86 (3.39)	63.5 (2.50)	27.8 (1.10)	14 (0.55)	840	78 lbs	52 lbs
FPL204-AIB-5/8-6	5/8 in	0.591 in	86 (3.39)	63.5 (2.50)	27.8 (1.10)	14 (0.55)	840	78 lbs	52 lbs
FPL204-AIB-3/4-6	3/4 in	0.591 in	86 (3.39)	63.5 (2.50)	27.8 (1.10)	14 (0.55)	840	78 lbs	52 lbs
FPL205-AIB-3/4-6	3/4 in	0.709 in	95 (3.74)	70 (2.75)	28 (1.10)	14 (0.55)	729	92 lbs	61 lbs
FPL205-AIB-5/8-6	5/8 in	0.709 in	95 (3.74)	70 (2.75)	28 (1.10)	14 (0.55)	729	92 lbs	61 lbs
FPL205-AIB-1-6	1 in	0.709 in	95 (3.74)	70 (2.75)	28 (1.10)	14 (0.55)	729	92 lbs	61 lbs
FPL206-AIB-1-1/8-6	1 1/8 in	0.709 in	107 (4.21)	83 (3.26)	31.5 (1.24)	14.3 (0.56)	690	151 lbs	114 lbs
FPL206-AIB-1-3/16-6	1 3/16 in	0.709 in	107 (4.21)	83 (3.26)	31.5 (1.24)	14.3 (0.56)	690	151 lbs	114 lbs
FPL206-AIB-1-1/4-6	1 1/4 in	0.709 in	107 (4.21)	83 (3.26)	31.5 (1.24)	14.3 (0.56)	690	151 lbs	114 lbs

- Plastic Mounted Blocks are available with a variety of insert bearings to best suit your application.
- For delivery contact KMS, some sizes and types may not be in stock and may require a minimum order.
- Information presented is believed to be accurate at the time of publication but is subject to change without notice.

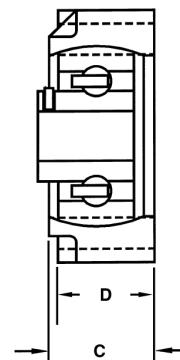
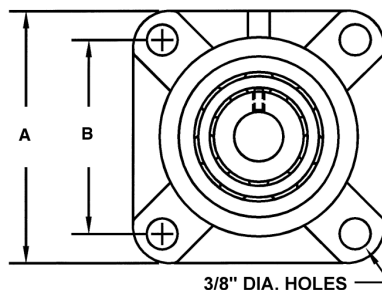
VARIATIONS & CUSTOM SIZES MADE EASILY FOR LOW AND HIGH QUANTITIES
Corrosion Resistant • Lube Free • Hygienic • Non-Metallic • Non-Magnetic • Light Weight • Design Flexibility



KMS Bearings, Inc. • 1560 Harmony Circle, Anaheim, CA 92807 • (714) 970-0280 • FAX (714) 970-0560
Toll Free (800) 448-2412 • www.KMSBearings.com

PLASTIC MOUNTED BLOCKS

PBT Polyester 4-Bolt Flange (FPL) Fitted with SS316 Stainless Bearing



PART NUMBER	BORE SIZE	WIDTH OF INNER RING	DIMENSION				MAX. RPM (NO LOAD)	DYNAMIC LOAD CAPACITY	STATIC LOAD CAPACITY
			A mm (Inch)	B mm (Inch)	C mm (Inch)	D mm (Inch)			
FPL204-SSIB-1/2-6	1/2 in	0.591 in	86 (3.39)	63.5 (2.50)	27.8 (1.10)	14 (0.55)	840	234 lbs	156 lbs
FPL204-SSIB-5/8-6	5/8 in	0.591 in	86 (3.39)	63.5 (2.50)	27.8 (1.10)	14 (0.55)	840	234 lbs	156 lbs
FPL204-SSIB-3/4-6	3/4 in	0.591 in	86 (3.39)	63.5 (2.50)	27.8 (1.10)	14 (0.55)	840	234 lbs	156 lbs
FPL205-SSIB-3/4-6	3/4 in	0.709 in	95 (3.74)	70 (2.75)	28 (1.10)	14 (0.55)	729	278 lbs	183 lbs
FPL205-SSIB-5/8-6	5/8 in	0.709 in	95 (3.74)	70 (2.75)	28 (1.10)	14 (0.55)	729	278 lbs	183 lbs
FPL205-SSIB-1-6	1 in	0.709 in	95 (3.74)	70 (2.75)	28 (1.10)	14 (0.55)	729	278 lbs	183 lbs
FPL206-SSIB-1-1/8-6	1 1/8 in	0.709 in	107 (4.21)	83 (3.26)	31.5 (1.24)	14.3 (0.56)	690	378 lbs	285 lbs
FPL206-SSIB-1-3/16-6	1 3/16 in	0.709 in	107 (4.21)	83 (3.26)	31.5 (1.24)	14.3 (0.56)	690	378 lbs	285 lbs
FPL206-SSIB-1-1/4-6	1 1/4 in	0.709 in	107 (4.21)	83 (3.26)	31.5 (1.24)	14.3 (0.56)	690	378 lbs	285 lbs

- Plastic Mounted Blocks are available with a variety of insert bearings to best suit your application.
- For delivery contact KMS, some sizes and types may not be in stock and may require a minimum order.
- Information presented is believed to be accurate at the time of publication but is subject to change without notice.

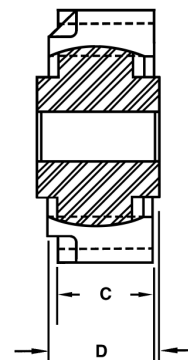
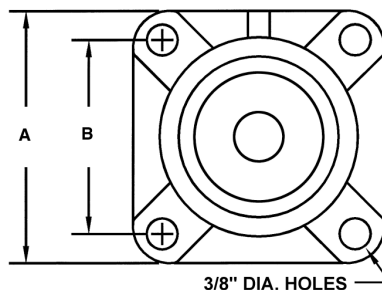
VARIATIONS & CUSTOM SIZES MADE EASILY FOR LOW AND HIGH QUANTITIES
Corrosion Resistant • Lube Free • Hygienic • Non-Metallic • Non-Magnetic • Light Weight • Design Flexibility



KMS Bearings, Inc. • 1560 Harmony Circle, Anaheim, CA 92807 • (714) 970-0280 • FAX (714) 970-0560
Toll Free (800) 448-2412 • www.KMSBearings.com

PLASTIC MOUNTED BLOCKS

PBT Polyester 4-Bolt Flange (FPL) Fitted with Solid Insert Bearing (UHMW)



PART NUMBER	BORE SIZE	WIDTH OF INNER RING	DIMENSION				MAX. RPM (NO LOAD)	DYNAMIC LOAD CAPACITY	STATIC LOAD CAPACITY
			A mm (Inch)	B mm (Inch)	C mm (Inch)	D mm (Inch)			
FPL204-SIB-1/2-6	1/2 in	0.591 in	86 (3.39)	63.5 (2.50)	27.8 (1.10)	14 (0.55)	350	275 lbs	325 lbs
FPL204-SIB-5/8-6	5/8 in	0.591 in	86 (3.39)	63.5 (2.50)	27.8 (1.10)	14 (0.55)	350	275 lbs	325 lbs
FPL204-SIB-3/4-6	3/4 in	0.591 in	86 (3.39)	63.5 (2.50)	27.8 (1.10)	14 (0.55)	350	275 lbs	325 lbs
FPL205-SIB-3/4-6	3/4 in	0.709 in	95 (3.74)	70 (2.75)	28 (1.10)	14 (0.55)	300	350 lbs	400 lbs
FPL205-SIB-5/8-6	5/8 in	0.709 in	95 (3.74)	70 (2.75)	28 (1.10)	14 (0.55)	729	350 lbs	400 lbs
FPL205-SIB-1-6	1 in	0.709 in	95 (3.74)	70 (2.75)	28 (1.10)	14 (0.55)	729	350 lbs	400 lbs
FPL206-SIB-1-1/8-6	1 1/8 in	0.709 in	107 (4.21)	83 (3.26)	31.5 (1.24)	14.3 (0.56)	285	450 lbs	500 lbs
FPL206-SIB-1-3/16-6	1 3/16 in	0.709 in	107 (4.21)	83 (3.26)	31.5 (1.24)	14.3 (0.56)	285	450 lbs	500 lbs
FPL206-SIB-1-1/4-6	1 1/4 in	0.709 in	107 (4.21)	83 (3.26)	31.5 (1.24)	14.3 (0.56)	285	450 lbs	500 lbs

- Plastic Mounted Blocks are available with a variety of insert bearings to best suit your application.
- For delivery contact KMS, some sizes and types may not be in stock and may require a minimum order.
- Information presented is believed to be accurate at the time of publication but is subject to change without notice.

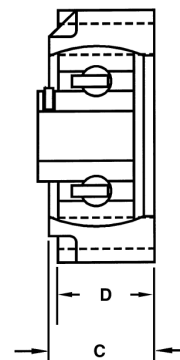
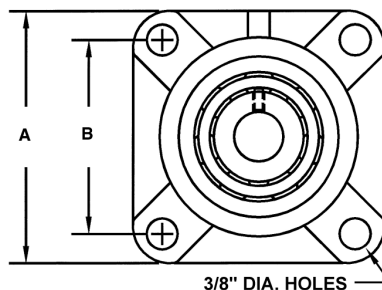
VARIATIONS & CUSTOM SIZES MADE EASILY FOR LOW AND HIGH QUANTITIES
Corrosion Resistant • Lube Free • Hygienic • Non-Metallic • Non-Magnetic • Light Weight • Design Flexibility



KMS Bearings, Inc. • 1560 Harmony Circle, Anaheim, CA 92807 • (714) 970-0280 • FAX (714) 970-0560
Toll Free (800) 448-2412 • www.KMSBearings.com

PLASTIC MOUNTED BLOCKS

PBT Polyester 4-Bolt Flange (FPL) Fitted with 52100 Steel Bearing



PART NUMBER	BORE SIZE	DIMENSION				DYNAMIC LOAD CAPACITY	STATIC LOAD CAPACITY
		A mm (Inch)	B mm (Inch)	C mm (Inch)	D mm (Inch)		
FPL204-STL-1/2-6	1/2 in	86 (3.39)	63.5 (2.50)	27.8 (1.10)	14 (0.55)	2200 lbs	1390 lbs
FPL204-STL-5/8-6	5/8 in	86 (3.39)	63.5 (2.50)	27.8 (1.10)	14 (0.55)	2200 lbs	1390 lbs
FPL204-STL-3/4-6	3/4 in	86 (3.39)	63.5 (2.50)	27.8 (1.10)	14 (0.55)	2200 lbs	1390 lbs
FPL205-STL-3/4-6	3/4 in	95 (3.74)	70 (2.75)	28 (1.10)	14 (0.55)	2430 lbs	1560 lbs
FPL205-STL-5/8-6	5/8 in	95 (3.74)	70 (2.75)	28 (1.10)	14 (0.55)	2430 lbs	1560 lbs
FPL205-STL-1-6	1 in	95 (3.74)	70 (2.75)	28 (1.10)	14 (0.55)	2430 lbs	1560 lbs
FPL206-STL-1-1/8-6	1 1/8 in	107 (4.21)	83 (3.26)	31.5 (1.24)	14.3 (0.56)	3490 lbs	2250 lbs
FPL206-STL-1-3/16-6	1 3/16 in	107 (4.21)	83 (3.26)	31.5 (1.24)	14.3 (0.56)	3490 lbs	2250 lbs
FPL206-STL-1-1/4-6	1 1/4 in	107 (4.21)	83 (3.26)	31.5 (1.24)	14.3 (0.56)	3490 lbs	2250 lbs

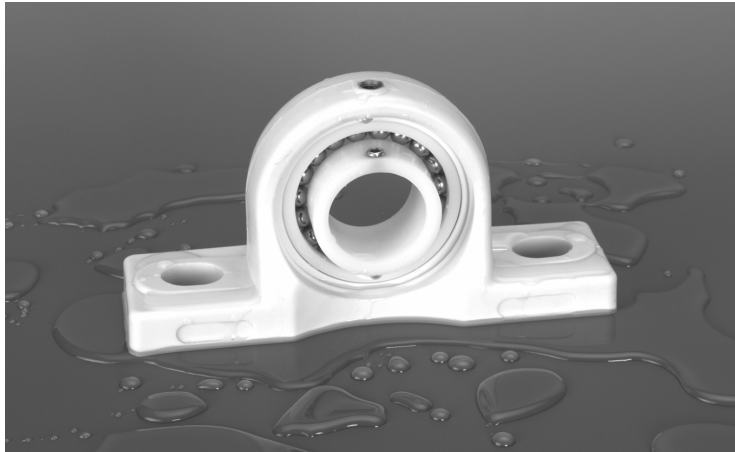
- Plastic Mounted Blocks are available with a variety of insert bearings to best suit your application.
- For delivery contact KMS, some sizes and types may not be in stock and may require a minimum order.
- Information presented is believed to be accurate at the time of publication but is subject to change without notice.

VARIATIONS & CUSTOM SIZES MADE EASILY FOR LOW AND HIGH QUANTITIES
Corrosion Resistant • Lube Free • Hygienic • Non-Metallic • Non-Magnetic • Light Weight • Design Flexibility



KMS Bearings, Inc. • 1560 Harmony Circle, Anaheim, CA 92807 • (714) 970-0280 • FAX (714) 970-0560
Toll Free (800) 448-2412 • www.KMSBearings.com

ENGINEERING DATA - PBT PLASTIC BLOCKS



- Bakery Equipment
- Wash Down Conveyor
- Car Washes
- Marine
- Farming Equipment
- Swimming Pool Equipment
- Food Processing

PROPERTIES OF PBT

Properties	Unit	Test Method	
Mechanical			-
Tensile strength at yield	N/mm ²	ASTM D 638	115
at break	N/mm ²	ASTM D 638	-
Elongation at yield	%	ASTM D 638	3
at break	%	ASTM D 638	
Tensile modulus	N/mm ²	ASTM D 638	8000
Flexural yield strength	N/mm ²	ASTM D 790	-
Flexural yield strength	N/mm ²	ASTM D 790	170
Flexural modulus	N/mm ²	ASTM D 790	7000
Notched impact strength Charpy	K/m ²	DIN 53453	12
Notched impact strength IZOD	J/m	ASTM D 256	100
Hardness, H358/10	N/mm ²	DIN 53456	104
H358/60	N/mm ²	DIN 53456	101
Rockwell	—	ASTM D 785	L102
Thermal			
Oxygen index*	%	ASTM D 2863	19
Flame retardancy* (1/6 mm thickness)	—	UL stand 94	94HB
Heat resistance: Vicat, method B	°C	ASTM D 1525	210-215
Thermal conductivity	W/m ² C	ASTM C 177	0.19
Mould shrinkage flow	%	ASTM D 1299	0.4-0.6
Cross flow direction	%	ASTM D 1299	0.6-0.8
Physical			
Water absorption 24 Hrs, 23°C	%	ASTM D 570	0.06

CHEMICAL RESISTANCE OF PBT

Chemical Media	°C	Immulation % Days	% Retention of strength
Acids			
10% Hydrochloric	23	30	89
	23	90	85
	23	180	82
10% Sulfuric	23	30	97
	23	90	94
	23	180	90
35% Sulfuric (battery)	23	30	97
	23	180	96
	66	30	84
10% Acetic	66	180	35
	23	30	89
	23	180	88
Bases			
5% Potassium Hydroxide	23	30	83
	23	90	10
10% Sodium Hydroxide	23	30	2
	23	180	-
10% Ammonium Hydroxide	23	30	90
	23	90	87
	23	180	58
Organic Solvents			
Ethyl Alcohol	23	30	99
	23	180	94
Methyl Alcohol	23	30	91
	23	180	76
Isopropyl-Alcohol	23	30	100
	23	180	100
Isopropyl-Alcohol & Water (50:50)	23	30	93
	23	180	96
Turpentine	23	180	92
	23	30	66
Acetone	23	180	63
	23	30	90

