

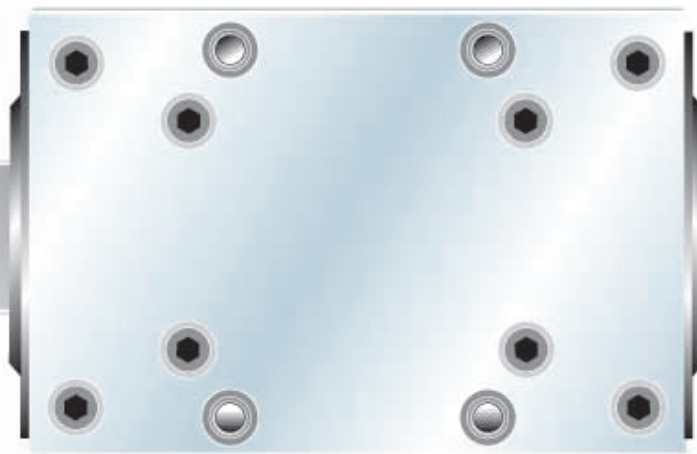
**MOUNTING**  
**MAINTENANCE**



## *Aluminium roller guides*

*Double rail and cassette  
Pair of single rails  
and roller shoes*

*Competence  
for moving*





# Mounting instructions for aluminium roller guides



## Contents

	page
1. General remarks	3
1.1 Signs and symbols	3
1.2 Due application	3
1.3 Protection and maintenance measures	3
1.4 Preparation of mounting – tools and accessories	3
1.5 Survey of mounting variants	4
2. Mounting of double rails with cassette	5
3. Mounting of single rails with pair of roller shoes	6
3.1 Mounting of roller shoes	6
3.2 Mounting of single rails	7
4. Mounting of coupled double or single rails	8
5. Mounting of multi-track units	9
6. Mounting of screw covers	9
7. Adjustment of cassettes or sliders	10
8. Wipers	11
8.1 Mounting of wipers	11
8.2 Detachment of wipers	11
9. Tightening torques for screws	11



## 1. General remarks

### 1.1 Used signs and symbols

- Marks an action to be taken
- 1. Marks the first step of an action plot
-  Hints and recommendations (e.g. concerning tightening torques of screws)
-  If the instructions are not followed there is the danger of damages or the function of the guide may be affected.

### 1.2 Due application

Franke aluminium roller guides are designated for precise linear motions of loads as e.g. in machine building, with packing and food producing machines, in handling devices, in the robot construction and transport. Franke aluminium roller guides should only be used within the provided temperature range from -20°C up to + 100°C.

Franke GmbH will not take any responsibility for damages which might be caused by any unauthorized changes of the guides which are not described in the documents.

### 1.3 Protection and maintenance measures

The Franke aluminium roller guides should be stored in their original packing which protects them from humidity and damages until being mounted. Please do not use any other parts but Franke items for mounting and repair.

Aluminium roller guides are maintenance-free. The cassettes and roller shoes are lubricated for the normal life period.

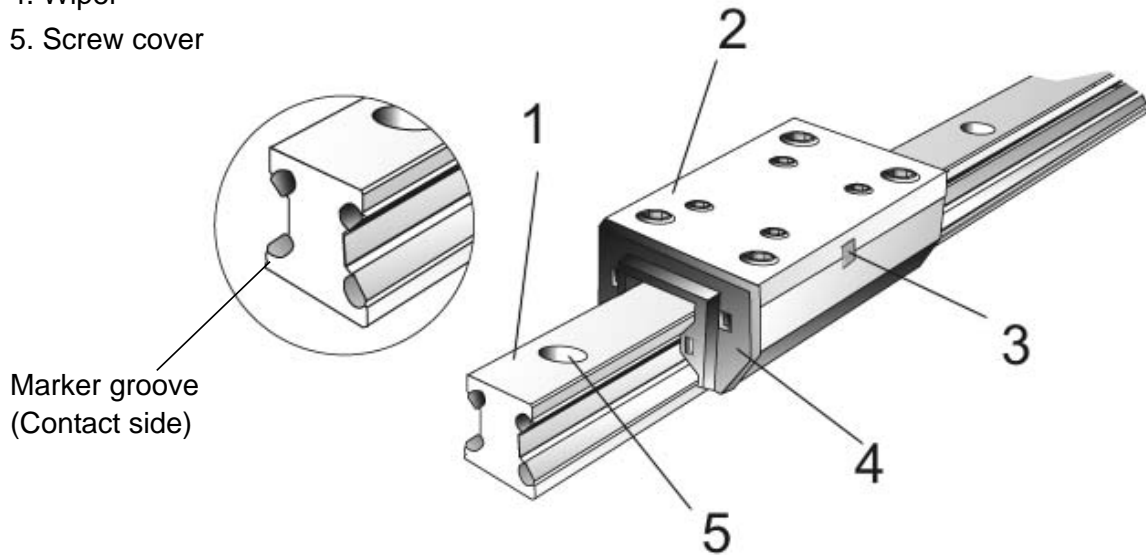
### 1.4 Mounting preparations – tools and accessories

- Torque wrench
- Fastening screws
- Hexagon socket screw
- Dial gauge
- Screw driver
- Auxiliary cylinder with coupled rails
- Plastic mallet and plastic plate for screw covers

## 1.5 Survey of different mounting variants

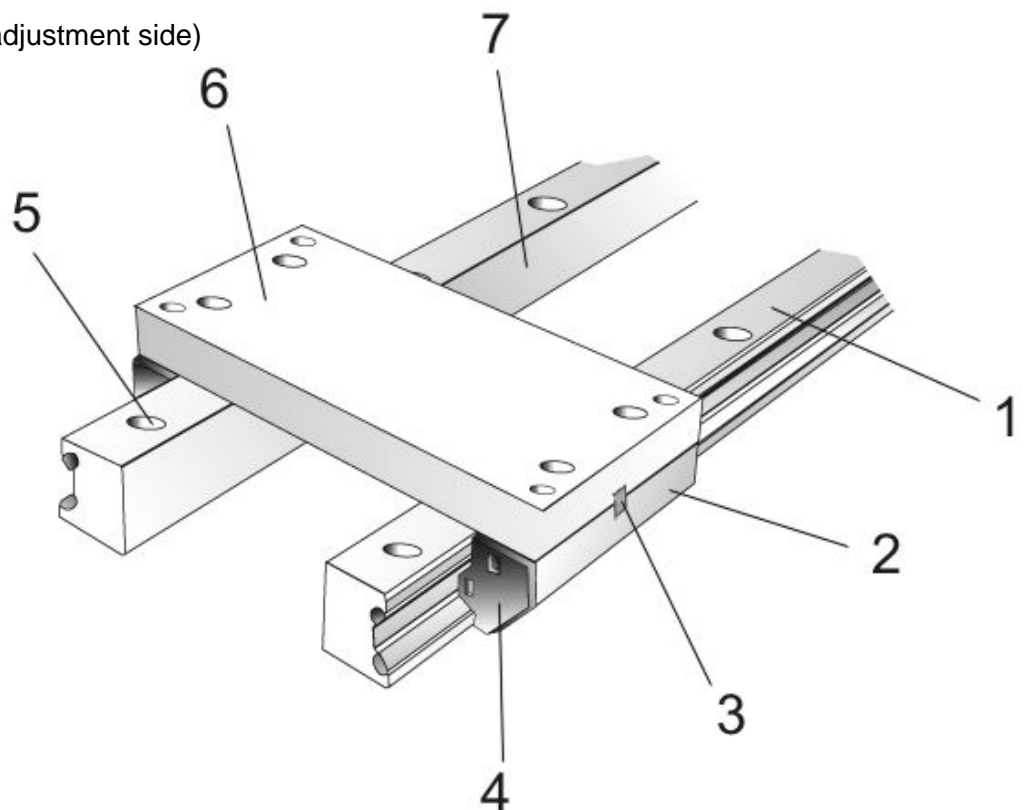
### Double rails with cassette (mounting see chapter 2)

1. Double rail
2. Cassette
3. Threaded pin (adjustment side)
4. Wiper
5. Screw cover



### Single rails with pair of roller shoes (mounting see chapter 3)

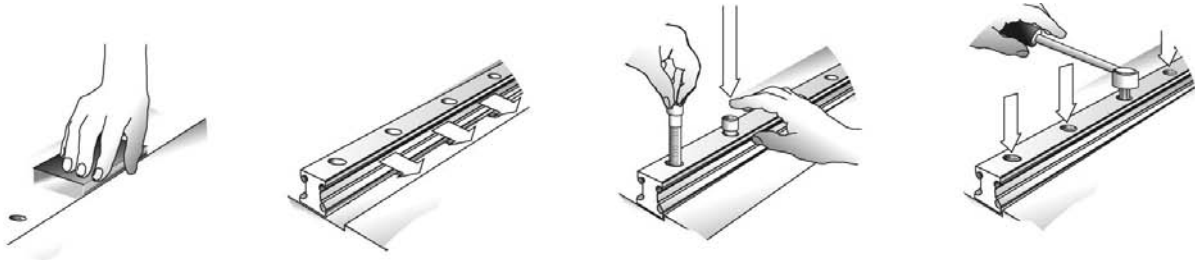
1. Single rail
2. Roller shoe
3. Threaded pin (adjustment side)
4. Wiper
5. Screw cover
6. Mating plate
7. Contact side



## 2. Mounting of double rail with cassette

### Mounting of double rails

The rails are fastened by means of screws. If possible fasten the double rails against a contact shoulder.



- If necessary pull off the cassette from the rail.
- Check the contact surfaces for contamination and damages
- Put the rail with its contact side (marked by a groove) against the contact shoulder.
- Tighten the screws slightly and control the straightness of the rail. The corresponding values are to be taken from table 1: "straightness double rails/single rail".

Rail size	12-20	25-45
Max. tolerance limit for linearity [mm/m]	0,5	0,3

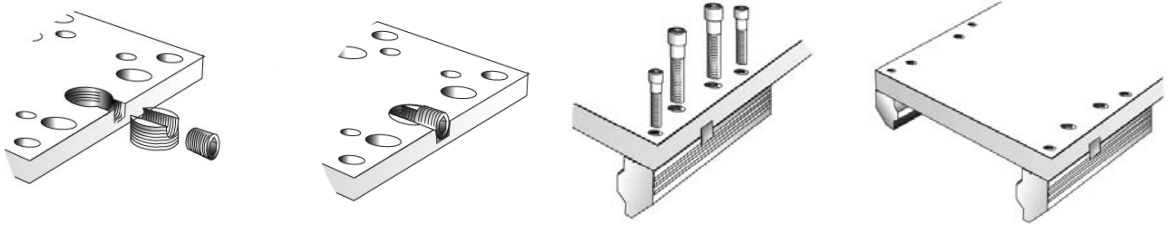
Table 1: "Straightness double rails/single rail"

- Tighten the fastening screws of the rail alternately from the centre outside.
  - ☞ Observe the prescribed tightening torques (see chapter 9 table 5).
- Push the cassette on the double rail.
- ⚠ Observe the correct arrangement of the stationary side and the adjustment side of the cassette. The marker groove of the rail must be on the opposite side of the threaded adjustment pin.
- Traverse the stroke distance with the cassette. It must run uniformly over the whole stroke path, otherwise the mounting procedure has to be revised.
- The cassettes which are supplied loose have to be adjusted with the right slide resistance (chapter 7).

### 3. Mounting of single rails with pair of roller shoes

#### Mounting of roller shoes (slider)

The roller shoes are supplied in pairs. Mount only the one shoe pair on a contact surface which you took out of the same packing. The roller shoes are provided with a centring groove to facilitate fixing on the stationary side.



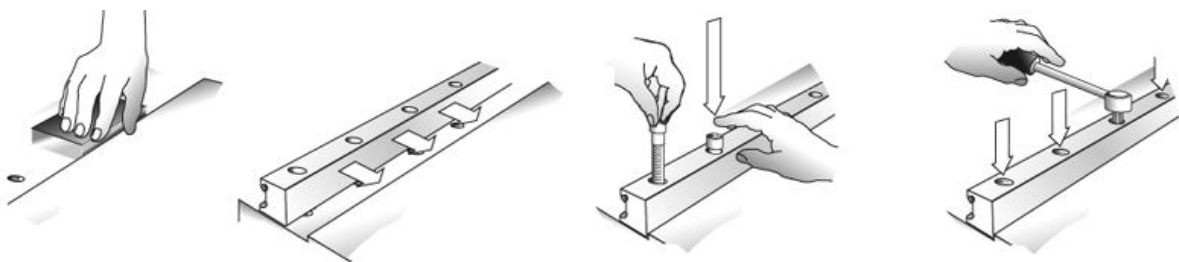
- Put the adapter piece and the adjustment screw into the drill holes of the mating plate.
  - Put the roller shoes against the mating plate and fasten the screws. Please use the four fastening screws as well as the two mating screws.
- ☞ Observe the prescribed tightening torque (chapter 9 table 5).

#### 3.2 Mounting of single rails

The rails are fixed by means of screws.

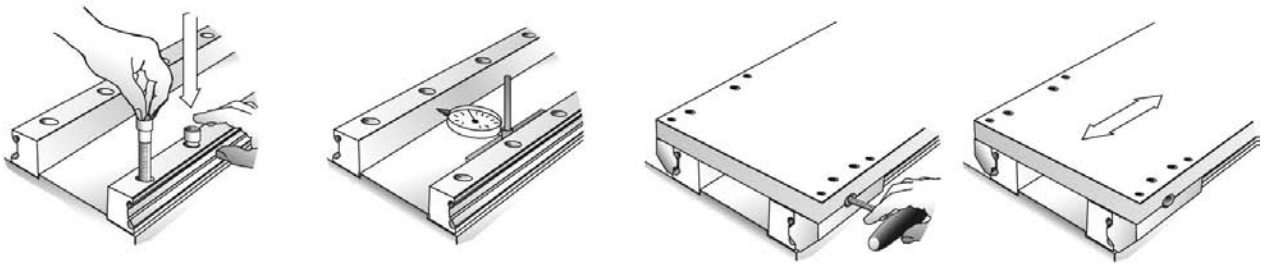
If possible the single rails should be screwed against a contact shoulder.

#### Mounting of the first rail (stationary side):



- Check the contact surfaces for contamination and damages.
  - Put the rail with its contact side to the contact shoulder.
  - Tighten the screws slightly and control the linearity of the rail (tolerances see tab. 1 page 5).
  - Fasten the screws alternately from the centre outside.
- ☞ Observe the prescribed tightening torques (see chapter 9 table 5).

## Mounting of the second rail (adjustment side):



- Put the second rail into its position. It has to be parallel to the first rail. Fasten the screws slightly.
- Check the parallelism of the two rails. The tolerances are found in table 2 "Parallelism of double rails". Fasten the screws alternately from the centre outside.
- ☞ Observe the prescribed tightening torques (see chapter 9 table 5).

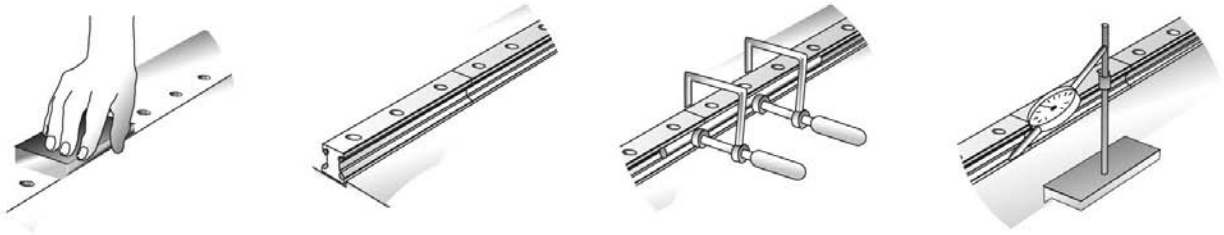
Rail size	12-20	25-45
<b>Max. tolerance for parallelism</b>	0,03	0,05

Table 2 "Parallelism of double rails"

- Push in the slider onto the rails and adjust the slide resistance approximately by means of the threaded adjustment pin. Precise adjustment is made later.
- Traverse the stroke path with the slider. It has to run uniformly over the whole distance; otherwise the mounting procedure has to be revised.

#### 4. Mounting of coupled double rails or single rails

The rail path of aluminium roller guides can also consist of several single rails. For the length over 4000mm (6000mm for size 35 and 35) the rails must be butt jointed.



- Check the contact surfaces for contamination and damages
- ⚠ But jointed rails are matched to each other and must be assembled with consecutive marks in order (e.g. A/1-1/1-2/2-2/E). It is not possible to arrange them at will. The marker groove has to be continuously on the same side.
- Align the rails without gap and tighten the screws slightly.
- Afterwards use the auxiliary cylinder in order to align the joints exactly (see table 3: “Diameter of cylinder”)

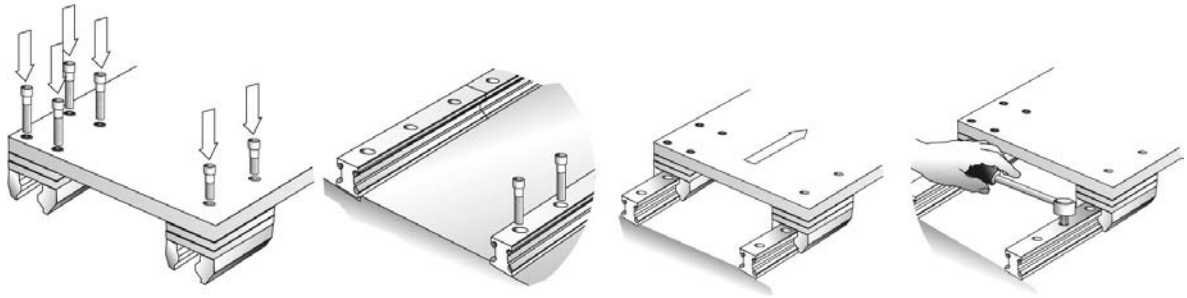
Guide size	12	15	20	25	35	45
Auxiliary cylinder Ø [mm]	11	11	14	16	27	35
Length [mm]	60	60	60	60	100	100

Table 3: “Diameter of cylinder”

- Put the cylinders in the raceways at the joint of the rails and clamp them by means of a clamping device.
- Check the linearity (tolerances see table 1 on page 5). With single rails the parallelism of the rails has also to be checked (tolerances see table 2 on page 7).
- Fasten the screws now.
- ☞ Observe the prescribed tightening torques of the screws (chapter 9 table 5).
- Put the cassette or the slider on the rails and adjust the slide resistance as described in chapter 7.



## 5. Mounting of multi-track arrangements



The cassettes are already mounted on the rails when being delivered; the correct slide resistance is already adjusted.

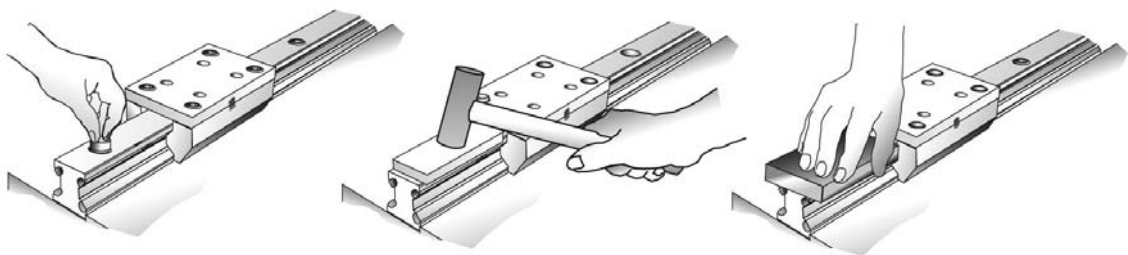
⚠ Therefore please do not exchange cassettes and rails at will.

- Screw the cassettes on the connecting plate.
- Mount one of the two double rails (guide rail) as described in chapter 2.
- Put the second rail in its position. Align it approximately and fasten the screws slightly.
- Push the cassettes with the connecting plate (slider) on the rails. The whole rail distance has to be traversed by the slider in order to align the second rail parallel. Please take the permissible tolerances from table 2 on page 7. Fasten the screws of the second rail now.

👉 Observe the prescribed tightening torques (chapter 9 table5).

## 6. Mounting of screw covers

Please use the delivered covers in order to avoid damages on the cassette wipers or on the slider.



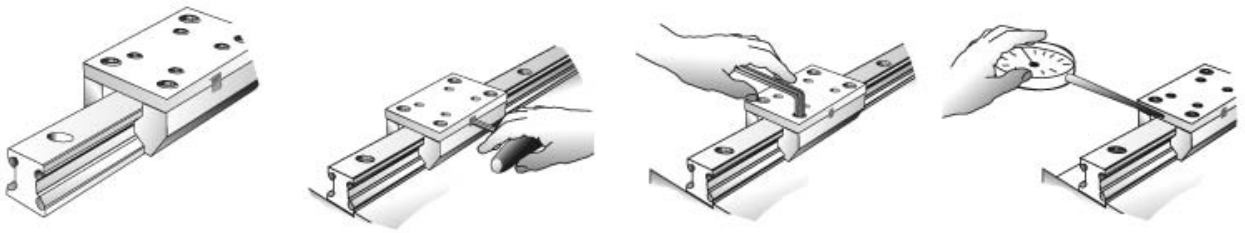
- Put the covers into the mounting holes of the rail.
- Cover the rail by means of a plastic plate and hammer the covers evenly into the rails with a plastic mallet.
- If necessary remove the burr.

## 7. Adjustment of cassette or slider

If the cassettes are already mounted on the rail when being delivered the correct slide resistance is already adjusted. Do not exchange cassettes and rails at will. Loose cassettes which are supplied individually have to be adjusted on the respective rails.

- If necessary remove the wiper from the cassette or from the roller shoes.
- Push the cassette or the slider onto the rail.

⚠ Please observe the correct arrangement of stationary and adjustment side of the cassette.  
With double rails the marker groove has to be on the opposite side of the threaded adjustment pin.



1. Unfasten the four fastening screws on the adjustment side and tighten them again without tension.
2. Adjust the slide resistance by means of the threaded pin and move the cassette along the rail during adjustment to ensure a smooth motion.
3. Tighten again the four screws on the adjustment side and check the slide resistance by means of a spring balance. The values can be taken from table 4: "Approximate values for slide resistances [N]".

Size	12		15		20		25		35		45	
	min.	max.	min.	max.	min.	max.	min.	max.	min.	max.	min.	max.
FDA	0,2	0,4	0,5	2,0	1,0	2,5	1,5	3,0	2,0	4,0	2,5	5,0
FDB	0,2	0,4	0,5	1,0	0,5	1,5	0,5	2,0	1,0	2,5	2,0	4,0
FDG	0,6	0,9	0,5	1,5	1,0	3,0	0,5	2,0	1,0	2,5	2,0	4,0
FDC	0,5	1,0	0,5	2,0	1,0	2,5	1,5	3,0	3,0	9,0	3,5	10,5
FDD	-	-	-	-	-	-	1,5	3,0	-	-	-	-
FDE	0,5	3,0	1,0	3,0	1,0	3,0	1,5	3,0	2,0	4,0	2,5	5,0
FDH	-	-	-	-	-	-	2,5	5,0	4,0	7,0	5,0	8,0

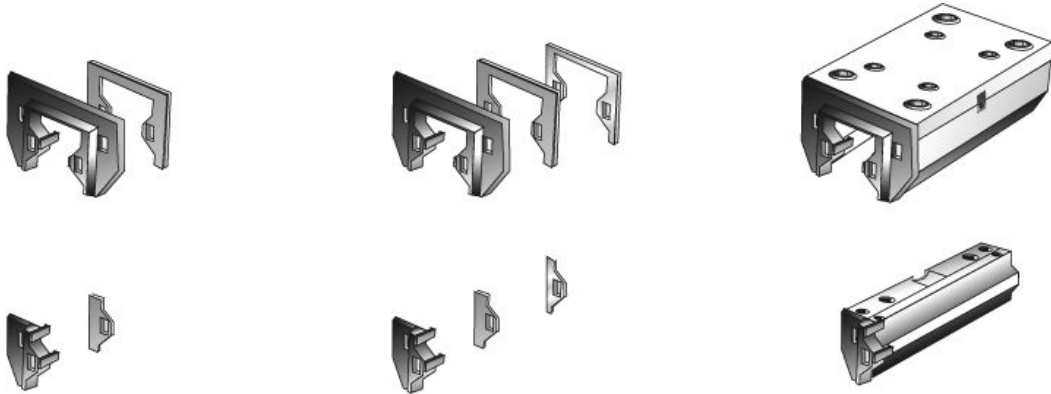
Table 4: "Approximate values for slide resistances [N]"

- Repeat steps one to three until the correct slide resistance is obtained.
- After that tighten all fastening screws.

👉 Please observe the prescribed tightening torques (chapter 9 table 5).

## 8. Wipers

The wipers are delivered loose they have to be mounted on the cassette or the roller shoes.



### 8.1 Mounting of wipers

- Draw the cassette from the guide rail.
- If necessary drench the felt wiper with oil.
- Put the felt wiper into the wiper plate and take the snap catches of the plate through the slot of the wiper. If you use a metal wiper, put it into the wiper plate in front of the felt wiper.
- Now clip the wiper with the locks onto the roller shoes, respectively on the cassette.
- Take care that the wiper is not damaged. After having passed a distance of 6000 km the felt wipers should be exchanged.

### 8.2 Detachment of wipers

- Draw the cassette or the slider from the guide rail.
- Put a screw driver on the same side of the wiper first into the inner and afterwards into the outer recess and unlock the snap catches with it.
- Repeat the procedure on the other side of the wiper.
- Take off the wiper.



## 9. Tightening torques for screwed connections

Screw size Quality 8.8	M3	M4	M5	M6	M8	M10	M12
<b>Tightening torque [Nm]</b>	1,1	2,5	5,0	8,5	21,0	41,0	71,0

Table 5 "Tightening torques for screwed connections [Nm]"



For further information please contact our service-team.

Franke GmbH  
Obere Bahnstr. 64  
73431 Aalen  
Germany  
Tel.: 07361 /920-0  
Fax.: 07361/920-120

[www.franke-gmbh.com](http://www.franke-gmbh.com)  
[www.franke-bearings.de](http://www.franke-bearings.de)  
[www.franke-linearguides.de](http://www.franke-linearguides.de)  
[info@franke-gmbh.de](mailto:info@franke-gmbh.de)

All contained informations are verified. Franke GmbH accepts no responsibility however for any damage resulting from incorrect or incomplete information contained. As our products are constantly in the process of further development, the right to technical modifications is reserved.

The company cannot take responsibility for misprints.