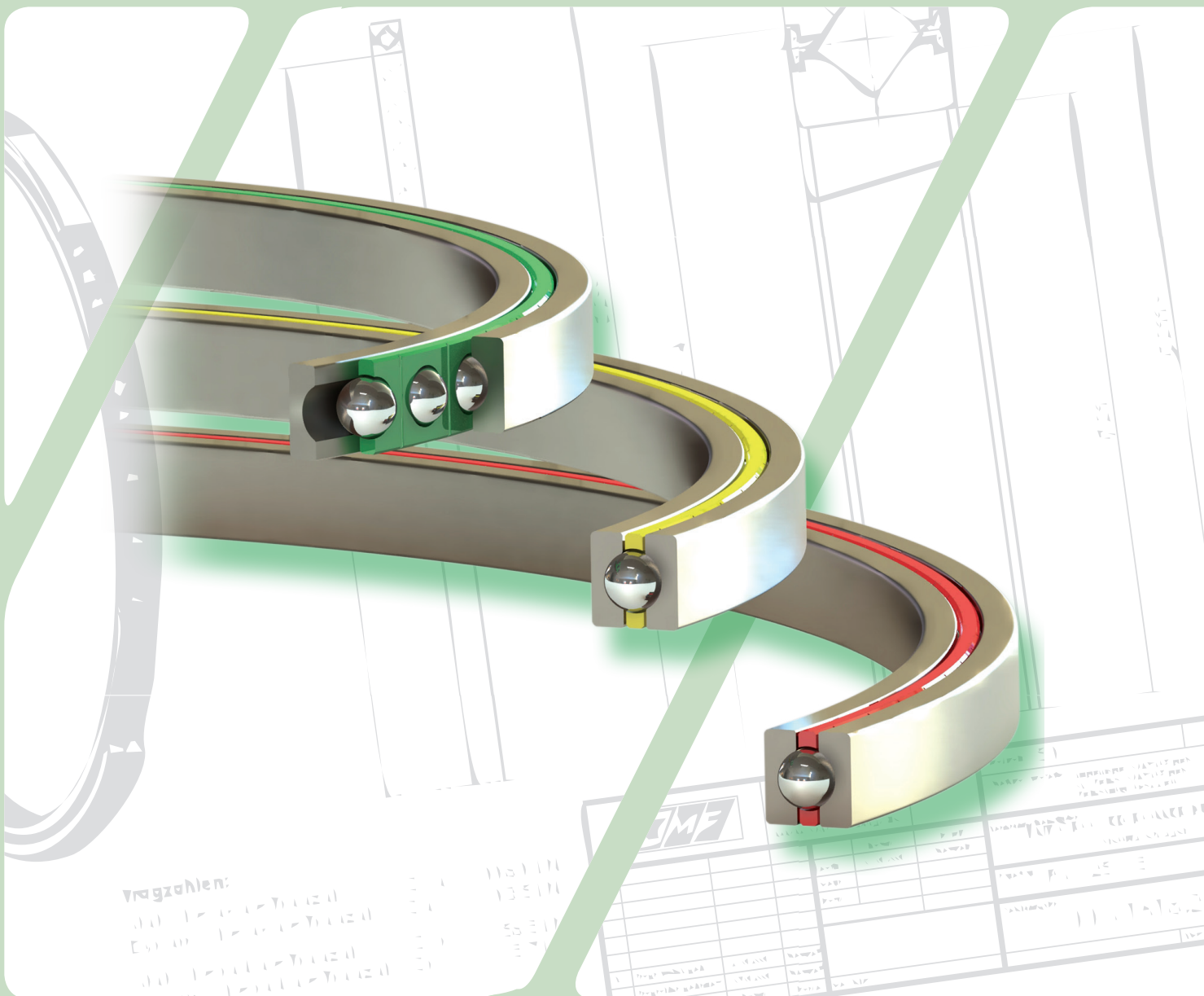
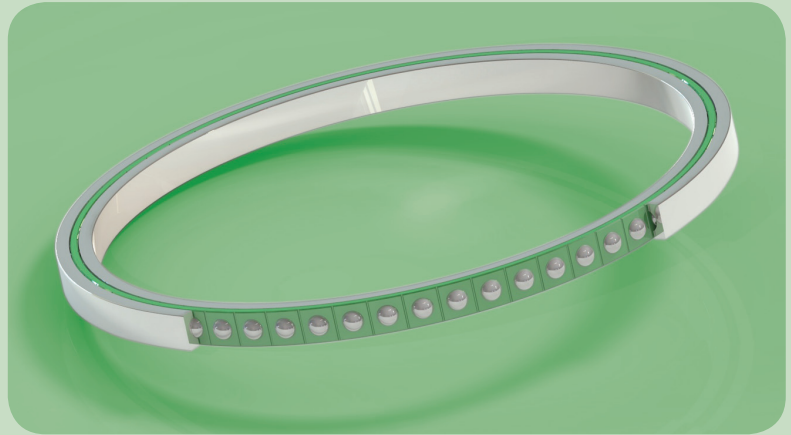
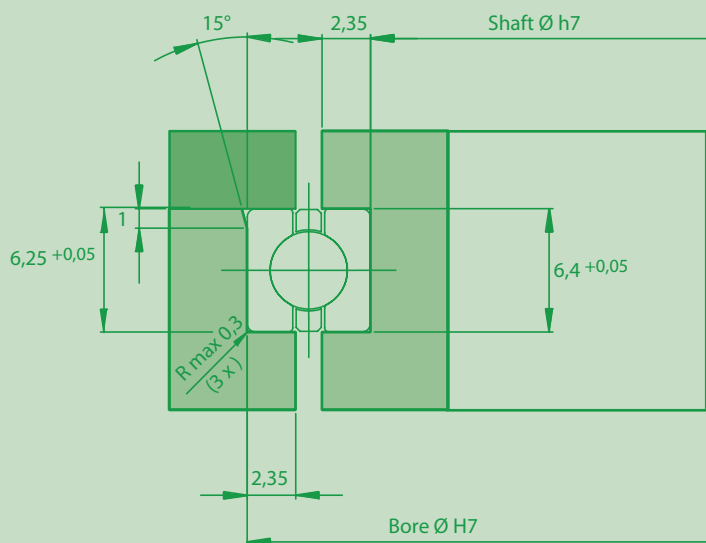
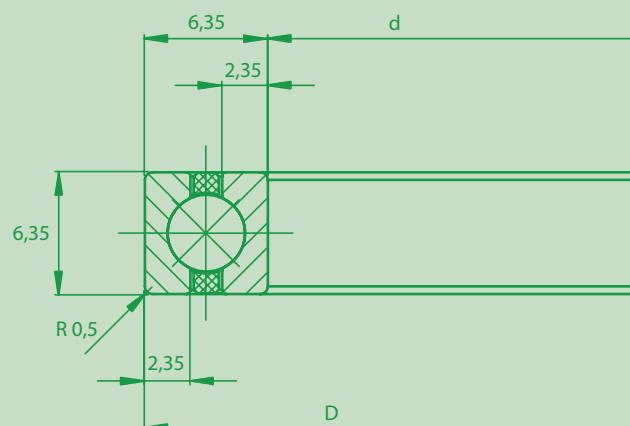


Thin ring bearing PBXA




**Fitted dimensions**

**Bearing dimensions**

**Table of dimensions (Type series PBXA)**

KMF-type <sup>1)</sup>	Bearing dimension			Basic load ratings				Mass kg	Limiting speeds
				Axial		Radial			
	d		D	Dyn.	Stat.	Dyn.	Stat.		n <sub>G grease</sub> min <sup>-1</sup>
	mm	inch	mm	C <sub>a</sub> kN	C <sub>oa</sub> kN	C <sub>r</sub> kN	C <sub>or</sub> kN		
PBXA 020	50,80	2	63,50	3,75	11,0	3,40	4,4	0,04	3010
PBXA 025	63,50	2 ½	76,20	4,10	13,7	3,70	5,5	0,05	2400
PBXA 030	76,20	3	88,90	4,35	16,4	4,00	6,6	0,06	2000
PBXA 035	88,90	3 ½	101,60	4,60	19,2	4,20	7,7	0,07	1720
PBXA 040	101,60	4	114,30	4,85	21,9	4,40	8,8	0,08	1500
PBXA 042	107,95	4 ¼	120,65	4,95	23,1	4,50	9,2	0,09	1410
PBXA 045	114,30	4 ½	127,00	5,10	24,6	4,60	9,9	0,09	1340
PBXA 047	120,65	4 ¾	133,35	5,10	26,0	4,65	10,3	0,10	1270
PBXA 050	127,00	5	139,70	5,30	27,5	4,75	11,0	0,11	1200
PBXA 055	139,70	5 ½	152,40	5,50	30,0	4,95	12,0	0,11	1090
PBXA 060	152,40	6	165,10	5,60	32,5	5,10	13,0	0,12	1000
PBXA 065	165,10	6 ½	177,80	5,80	35,0	5,20	14,1	0,13	920
PBXA 070	177,80	7	190,50	5,90	38,0	5,40	15,2	0,14	860
PBXA 075	190,50	7 ½	203,20	6,10	40,5	5,50	16,3	0,15	800
PBXA 080	203,20	8	215,90	6,20	43,5	5,60	17,4	0,16	750
PBXA 085	215,90	8 ½	228,60	6,40	46,0	5,80	18,5	0,17	710
PBXA 090	228,60	9	241,30	6,50	49,0	5,90	19,6	0,18	670
PBXA 095	241,30	9 ½	254,00	6,60	52,0	6,00	20,7	0,19	630

KMF-type <sup>1)</sup>	Bearing dimension			Basic load ratings				Mass	Limiting speeds
				Axial		Radial			
	d		D	Dyn.	Stat.	Dyn.	Stat.		n <sub>G grease</sub>
	mm	inch	mm	C <sub>a</sub>	C <sub>oa</sub>	C <sub>r</sub>	C <sub>or</sub>		
PBXA 100	254,00	10	266,70	6,80	54,0	6,10	21,8	0,20	600
PBXA 105	266,70	10 ½	279,40	6,90	57,0	6,20	22,7	0,21	570
PBXA 110	279,40	11	292,10	7,00	59,0	6,30	23,8	0,22	550
PBXA 115	292,10	11 ½	304,80	7,10	62,0	6,40	24,9	0,23	520
PBXA 120	304,80	12	317,50	7,20	65,0	6,50	26,0	0,24	500
PBXA 125	317,50	12 ½	330,20	7,20	66,0	6,60	26,5	0,25	480
PBXA 130	330,20	13	342,90	7,40	70,0	6,70	28,0	0,26	460
PBXA 135	342,90	13 ½	355,60	7,50	73,0	6,80	29,5	0,27	450
PBXA 140	355,60	14	368,30	7,40	76,0	6,90	30,5	0,28	430
PBXA 145	368,30	14 ½	381,00	7,70	78,0	7,00	31,5	0,29	410
PBXA 150	381,00	15	393,70	7,80	81,0	7,10	32,5	0,30	400
PBXA 155	393,70	15 ½	406,40	7,90	84,0	7,10	33,5	0,31	390
PBXA 160	406,40	16	419,10	8,00	86,0	7,20	34,5	0,32	380
PBXA 165	419,10	16 ½	431,80	8,10	89,0	7,30	35,5	0,33	360
PBXA 170	431,80	17	444,50	8,20	92,0	7,40	37,0	0,34	350
PBXA 175	444,50	17 ½	457,20	8,30	95,0	7,50	38,0	0,35	340
PBXA 180	457,20	18	469,90	8,40	97,0	7,60	39,0	0,36	330
PBXA 185	469,90	18 ½	482,60	8,40	100,0	7,60	40,0	0,37	320
PBXA 190	482,60	19	495,30	8,50	103,0	7,70	41,0	0,38	320
PBXA 195	495,30	19 ½	508,00	8,60	105,0	7,80	42,0	0,39	310
PBXA 200	508,00	20	520,70	8,70	108,0	7,80	43,0	0,40	300
PBXA 210	533,40	21	546,10	8,80	113,0	8,00	45,5	0,41	290
PBXA 220	558,80	22	571,50	9,00	119,0	8,10	47,5	0,43	270
PBXA 230	584,20	23	596,90	9,10	124,0	8,20	49,5	0,45	260
PBXA 240	609,60	24	622,30	9,30	130,0	8,40	52,0	0,47	250
PBXA 250	635,00	25	647,70	9,40	135,0	8,50	54,0	0,49	240
PBXA 260	660,40	26	673,10	9,50	140,0	8,60	56,0	0,51	230
PBXA 270	685,80	27	698,50	9,70	146,0	8,70	58,0	0,53	220
PBXA 280	711,20	28	723,90	9,80	151,0	8,70	60,0	0,55	210
PBXA 290	736,60	29	749,30	9,90	156,0	9,00	63,0	0,57	210
PBXA 300	762,00	30	774,70	10,10	162,0	9,10	65,0	0,59	200

1) Other dimensions on request

**Manufacturer comparative list**

	Bearing dimension							
	KMF-type	d	D	KAYDON-type	FAG-type	SKF-type	INA-type	Franke-type
	mm	inch	mm					
PBXA 020	50,80	2	63,50	KA 020 XPO	L18QA200T	FPXA 200	CSXA 020	---
PBXA 025	63,50	2 ½	76,20	KA 025 XPO	L18QA208T	FPXA 208	CSXA 025	---
PBXA 030	76,20	3	88,90	KA 030 XPO	L18QA300T	FPXA 300	CSXA 030	---
PBXA 035	88,90	3 ½	101,60	KA 035 XPO	L18QA308YH	FPXA 308	CSXA 035	---
PBXA 040	101,60	4	114,30	KA 040 XPO	L18QA400T	FPXA 400	CSXA 040	---
PBXA 042	107,95	4 ¼	120,65	KA 042 XPO	L18QA404YH	FPXA 404	CSXA 042	---
PBXA 045	114,30	4 ½	127,00	KA 045 XPO	L18QA408YH	FPXA 408	CSXA 045	---
PBXA 047	120,65	4 ¾	133,35	KA 047 XPO	L18QA412YH	FPXA 412	CSXA 047	---
PBXA 050	127,00	5	139,70	KA 050 XPO	L18QA500YH	FPXA 500	CSXA 050	---
PBXA 055	139,70	5 ½	152,40	KA 055 XPO	L18QA508YH	FPXA 508	CSXA 055	---
PBXA 060	152,40	6	165,10	KA 060 XPO	L18QA600YH	FPXA 600	CSXA 060	---
PBXA 065	165,10	6 ½	177,80	KA 065 XPO	L18QA608YH	FPXA 608	CSXA 065	---
PBXA 070	177,80	7	190,50	KA 070 XPO	L18QA700YH	FPXA 700	CSXA 070	---
PBXA 075	190,50	7 ½	203,20	KA 075 XPO	L18QA708YH	FPXA 708	CSXA 075	---
PBXA 080	203,20	8	215,90	KA 080 XPO	L18QA800YH	FPXA 800	CSXA 080	---
PBXA 085	215,90	8 ½	228,60	---	---	---	---	---
PBXA 090	228,60	9	241,30	KA 090 XPO	L18QA900YH	FPXA 900	CSXA 090	---
PBXA 095	241,30	9 ½	254,00	---	---	---	---	---
PBXA 100	254,00	10	266,70	KA100 XPO	L18QA1000YH	FPXA 1000	CSXA 100	---
PBXA 105	266,70	10 ½	279,40	---	---	---	---	---
PBXA 110	279,40	11	292,10	KA 110 XPO	L18QA1100YH	FPXA 1100	CSXA 110	---
PBXA 115	292,10	11 ½	304,80	---	---	---	---	---
PBXA 120	304,80	12	317,50	KA 120 XPO	L18QA1200YH	FPXA 1200	CSXA 120	---
PBXA 125	317,50	12 ½	330,20	---	---	---	---	---
PBXA 130	330,20	13	342,90	---	---	---	---	---
PBXA 135	342,90	13 ½	355,60	---	---	---	---	---
PBXA 140	355,60	14	368,30	---	---	---	---	---
PBXA 145	368,30	14 ½	381,00	---	---	---	---	---
PBXA 150	381,00	15	393,70	---	---	---	---	---
↪ 300	762,00	30	774,70	---	---	---	---	---

↪ For this KMF-type series (Steps of 5) no types of other manufacturers do exist