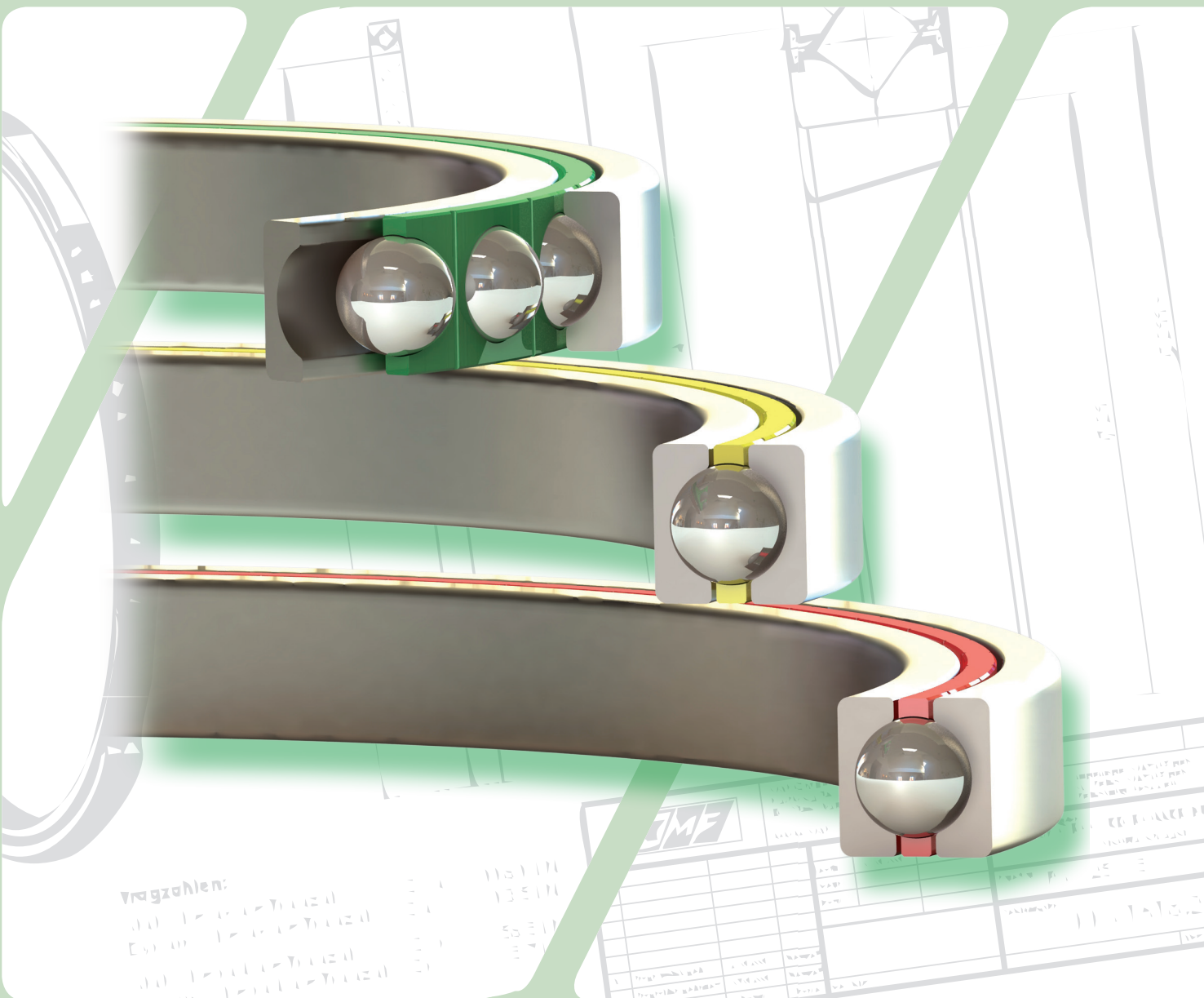
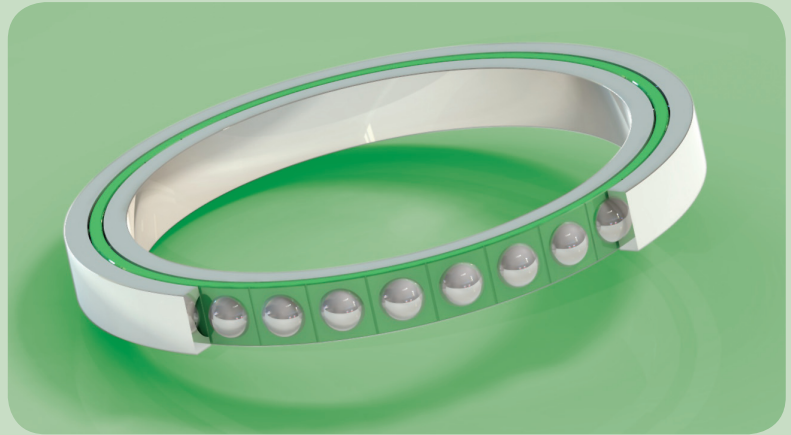
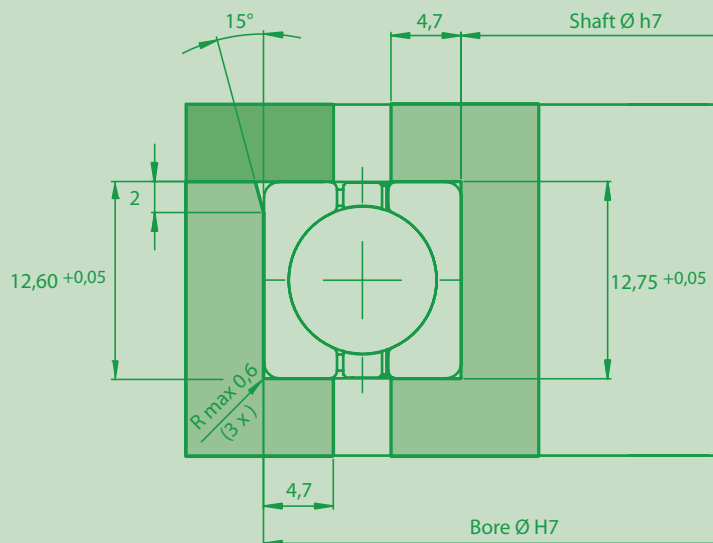
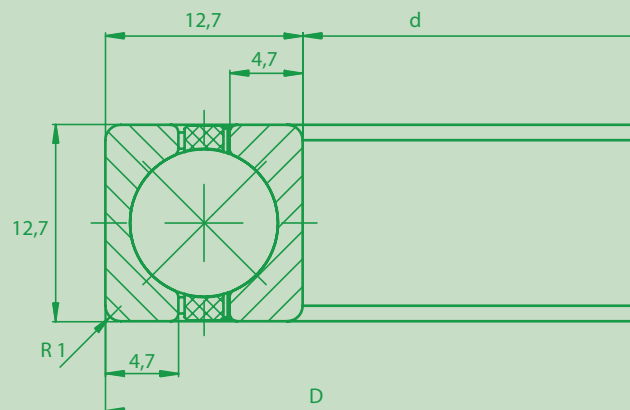


Thin ring bearing PBXD



SLIM-SPLIT-BEARING
four point contact bearing
Fitted dimensions

Bearing dimensions

Table of dimensions (Type series PBXD)

| KMF-type ¹⁾ | Bearing dimension | | | Basic load ratings | | | | Mass kg | Limiting speeds n_G grease min ⁻¹ |
|------------------------|-------------------|------|--------|--------------------|----------------|-------------|----------------|------------|---|
| | | | | Axial | | Radial | | | |
| | d | | D | Dyn. | Stat. | Dyn. | Stat. | | |
| | mm | inch | mm | C_a kN | C_{oa} kN | C_r kN | C_{or} kN | | |
| PBXD 040 | 101,60 | 4 | 127,00 | 18,3 | 59,0 | 16,6 | 23,7 | 0,334 | 1500 |
| PBXD 042 | 107,95 | 4 ¼ | 133,35 | 18,9 | 64,0 | 17,2 | 25,5 | 0,353 | 1410 |
| PBXD 045 | 114,30 | 4 ½ | 139,70 | 19,4 | 68,0 | 17,6 | 27,0 | 0,371 | 1340 |
| PBXD 047 | 120,65 | 4 ¾ | 146,05 | 19,5 | 70,0 | 17,7 | 28,0 | 0,390 | 1270 |
| PBXD 050 | 127,00 | 5 | 152,40 | 20,0 | 75,0 | 18,2 | 30,0 | 0,408 | 1200 |
| PBXD 055 | 139,70 | 5 ½ | 165,10 | 20,6 | 81,0 | 18,7 | 32,5 | 0,445 | 1090 |
| PBXD 060 | 152,40 | 6 | 177,80 | 21,5 | 90,0 | 19,5 | 36,0 | 0,482 | 1000 |
| PBXD 065 | 165,10 | 6 ½ | 190,50 | 22,1 | 97,0 | 20,0 | 39,0 | 0,519 | 920 |
| PBXD 070 | 177,80 | 7 | 203,20 | 22,6 | 104,0 | 20,5 | 41,5 | 0,557 | 860 |
| PBXD 075 | 190,50 | 7 ½ | 215,90 | 23,3 | 112,0 | 21,2 | 45,0 | 0,594 | 800 |
| PBXD 080 | 203,20 | 8 | 228,60 | 23,8 | 119,0 | 21,6 | 47,5 | 0,631 | 750 |
| PBXD 085 | 215,90 | 8 ½ | 241,30 | 24,2 | 126,0 | 22,0 | 50,0 | 0,668 | 710 |
| PBXD 090 | 228,60 | 9 | 254,00 | 24,9 | 135,0 | 22,6 | 54,0 | 0,705 | 670 |
| PBXD 095 | 241,30 | 9 ½ | 266,70 | 25,5 | 141,0 | 22,9 | 57,0 | 0,742 | 630 |
| PBXD 100 | 254,00 | 10 | 279,40 | 25,5 | 148,0 | 23,3 | 59,0 | 0,779 | 600 |
| PBXD 105 | 266,70 | 10 ½ | 292,10 | 26,5 | 157,0 | 23,9 | 63,0 | 0,816 | 570 |



| KMF-type ¹⁾ | Bearing dimension | | | Basic load ratings | | | | Mass | Limiting speeds |
|------------------------|-------------------|------|---------|--------------------|-----------------|----------------|-----------------|-------|--|
| | | | | Axial | | Radial | | | |
| | d | | D | Dyn. | Stat. | Dyn. | Stat. | kg | n _{G grease} min ⁻¹ |
| | mm | inch | | C _a | C _{oa} | C _r | C _{or} | | |
| | mm | inch | mm | kN | kN | kN | kN | | |
| PBXD 110 | 279,40 | 11 | 304,80 | 26,5 | 163,0 | 24,2 | 65,0 | 0,853 | 550 |
| PBXD 115 | 292,10 | 11 ½ | 317,50 | 27,0 | 170,0 | 24,5 | 68,0 | 0,891 | 520 |
| PBXD 120 | 304,80 | 12 | 330,20 | 27,5 | 179,0 | 25,0 | 72,0 | 0,928 | 500 |
| PBXD 130 | 330,20 | 13 | 355,60 | 28,5 | 192,0 | 25,2 | 77,0 | 1,002 | 460 |
| PBXD 140 | 355,60 | 14 | 381,00 | 29,0 | 208,0 | 26,5 | 83,0 | 1,076 | 430 |
| PBXD 150 | 381,00 | 15 | 406,40 | 30,0 | 223,0 | 27,0 | 89,0 | 1,150 | 400 |
| PBXD 160 | 406,40 | 16 | 431,80 | 30,5 | 237,0 | 27,0 | 95,0 | 1,225 | 380 |
| PBXD 170 | 431,80 | 17 | 457,20 | 31,5 | 250,0 | 28,5 | 101,0 | 1,299 | 350 |
| PBXD 180 | 457,20 | 18 | 482,60 | 32,0 | 270,0 | 29,0 | 107,0 | 1,373 | 330 |
| PBXD 190 | 482,60 | 19 | 508,00 | 32,5 | 280,0 | 29,5 | 112,0 | 1,447 | 320 |
| PBXD 200 | 508,00 | 20 | 533,40 | 33,0 | 295,0 | 30,0 | 119,0 | 1,521 | 300 |
| PBXD 210 | 533,40 | 21 | 558,80 | 33,5 | 310,0 | 30,5 | 124,0 | 1,596 | 290 |
| PBXD 220 | 558,80 | 22 | 584,20 | 34,5 | 325,0 | 31,0 | 130,0 | 1,670 | 270 |
| PBXD 230 | 584,20 | 23 | 609,60 | 34,5 | 340,0 | 31,5 | 136,0 | 1,744 | 260 |
| PBXD 240 | 609,60 | 24 | 635,00 | 35,5 | 355,0 | 32,0 | 142,0 | 1,818 | 250 |
| PBXD 250 | 635,00 | 25 | 660,40 | 36,0 | 370,0 | 32,5 | 148,0 | 1,892 | 240 |
| PBXD 260 | 660,40 | 26 | 685,80 | 36,5 | 385,0 | 33,0 | 154,0 | 1,967 | 230 |
| PBXD 270 | 685,80 | 27 | 711,20 | 37,0 | 400,0 | 33,5 | 159,0 | 2,041 | 220 |
| PBXD 280 | 711,20 | 28 | 736,60 | 37,5 | 415,0 | 34,0 | 166,0 | 2,115 | 210 |
| PBXD 290 | 736,60 | 29 | 762,00 | 38,0 | 430,0 | 34,5 | 172,0 | 2,189 | 210 |
| PBXD 300 | 762,00 | 30 | 787,40 | 38,5 | 445,0 | 34,5 | 177,0 | 2,264 | 200 |
| PBXD 310 | 787,40 | 31 | 812,80 | 39,0 | 460,0 | 35,0 | 183,0 | 2,338 | 190 |
| PBXD 320 | 812,80 | 32 | 838,20 | 39,5 | 475,0 | 35,5 | 190,0 | 2,412 | 190 |
| PBXD 330 | 838,20 | 33 | 863,60 | 39,5 | 485,0 | 36,0 | 195,0 | 2,486 | 180 |
| PBXD 340 | 863,60 | 34 | 889,00 | 40,0 | 500,0 | 36,5 | 201,0 | 2,560 | 180 |
| PBXD 400 | 1016,00 | 40 | 1041,40 | 43,4 | 588,0 | 39,6 | 237,0 | 3,012 | 155 |
| PBXD 405 | 1028,70 | 40 ½ | 1054,10 | 43,7 | 596,0 | 39,8 | 240,0 | 3,049 | 150 |
| PBXD 417 | 1060,45 | 41 ¾ | 1085,85 | 44,3 | 614,0 | 40,5 | 247,0 | 3,143 | 145 |
| PBXD 420 | 1066,80 | 42 | 1092,20 | 44,5 | 618,0 | 40,6 | 249,0 | 3,162 | 140 |

1) Other dimensions on request

Manufacturer comparative list

| | Bearing dimension | | | | | | | |
|----------|-------------------|------|--------|------------|-------------|-----------|----------|---------|
| | KMF-type | d | D | | | | | |
| | mm | inch | mm | | | | | |
| PBXD 040 | 101,60 | 4 | 127,00 | KD 040 XPO | L18TA 400T | FPXD 400 | CSXD 040 | ---- |
| PBXD 042 | 107,95 | 4 ¼ | 133,35 | KD 042 XPO | L18TA 404T | FPXD 404 | CSXD 042 | ---- |
| PBXD 045 | 114,30 | 4 ½ | 139,70 | KD 045 XPO | L18TA 408T | FPXD 408 | CSXD 045 | ---- |
| PBXD 047 | 120,65 | 4 ¾ | 146,05 | KD 047 XPO | L18TA 412T | FPXD 412 | CSXD 047 | ---- |
| PBXD 050 | 127,00 | 5 | 152,40 | KD 050 XPO | L18TA 500T | FPXD 500 | CSXD 050 | ---- |
| PBXD 055 | 139,70 | 5 ½ | 165,10 | KD 055 XPO | L18TA 508T | FPXD 508 | CSXD 055 | ---- |
| PBXD 060 | 152,40 | 6 | 177,80 | KD 060 XPO | L18TA 600T | FPXD 600 | CSXD 060 | LFD 6 |
| PBXD 065 | 165,10 | 6 ½ | 190,50 | KD 065 XPO | L18TA 608T | FPXD 608 | CSXD 065 | LFD 6,5 |
| PBXD 070 | 177,80 | 7 | 203,20 | KD 070 XPO | L18TA 700T | FPXD 700 | CSXD 070 | LFD 7 |
| PBXD 075 | 190,50 | 7 ½ | 215,90 | KD 075 XPO | L18TA 708T | FPXD 708 | CSXD 075 | LFD 7,5 |
| PBXD 080 | 203,20 | 8 | 228,60 | KD 080 XPO | L18TA 800T | FPXD 800 | CSXD 080 | LFD 8 |
| PBXD 085 | 215,90 | 8 ½ | 241,30 | ---- | ---- | ---- | ---- | ---- |
| PBXD 090 | 228,60 | 9 | 254,00 | KD 090 XPO | L18TA 900T | FPXD 900 | CSXD 090 | LFD 9 |
| PBXD 095 | 241,30 | 9 ½ | 266,70 | ---- | ---- | ---- | ---- | ---- |
| PBXD 100 | 254,00 | 10 | 279,40 | KD 100 XPO | L18TA 1000T | FPXD 1000 | CSXD 100 | LFD 10 |
| PBXD 105 | 266,70 | 10 ½ | 292,10 | ---- | ---- | ---- | ---- | ---- |
| PBXD 110 | 279,40 | 11 | 304,80 | KD 110 XPO | L18TA 1100T | FPXD 1100 | CSXD 110 | LFD 11 |
| PBXD 115 | 292,10 | 11 ½ | 317,50 | ---- | ---- | ---- | ---- | ---- |
| PBXD 120 | 304,80 | 12 | 330,20 | KD 120 XPO | L18TA 1200T | FPXD 1200 | CSXD 120 | LFD 12 |
| PBXD 130 | 330,20 | 13 | 355,60 | ---- | ---- | ---- | ---- | ---- |
| PBXD 140 | 355,60 | 14 | 381,00 | KD 140 XPO | L18TA 1400T | FPXD 1400 | CSXD 140 | LFD 14 |
| PBXD 150 | 381,00 | 15 | 406,40 | ---- | ---- | ---- | ---- | ---- |
| PBXD 160 | 406,40 | 16 | 431,80 | KD 160 XPO | L18TA 1600T | FPXD 1600 | CSXD 160 | LFD 16 |
| PBXD 170 | 431,80 | 17 | 457,20 | ---- | ---- | ---- | ---- | ---- |
| PBXD 180 | 457,20 | 18 | 482,60 | KD 180 XPO | L18TA 1800T | FPXD 1800 | CSXD 180 | LFD 18 |
| PBXD 190 | 482,60 | 19 | 508,00 | ---- | ---- | ---- | ---- | ---- |
| PBXD 200 | 508,00 | 20 | 533,40 | KD 200 XPO | ---- | FPXD 2000 | CSXD 200 | LFD 20 |
| ↪ 250 | 635,00 | 25 | 660,40 | KD 250 XPO | ---- | FPXD 2500 | CSXD 250 | LFD 25 |
| ↪ 300 | 762,00 | 30 | 787,40 | KD 300 XPO | ---- | FPXD 3000 | CSXD 300 | ---- |
| ↪ 340 | 863,60 | 34 | 889,00 | ---- | ---- | ---- | ---- | ---- |

↪ For this KMF-type series (Steps of 10) no types of other manufacturers do exist