

**Koyo**

# ***Cylindrical Roller Bearings for the Backing Shafts of Multi-roll Mills***



**JTEKT**

JTEKT CORPORATION

# Cylindrical Roller Bearings for the Backing Shafts of Multi-roll Mills

## 1. Introduction

Based on many years of experience and recorded success in the area of multi-roll mills, JTEKT supplies high-durability, high-precision cylindrical roller bearings for backing shafts.

Koyo also supplies regrinding jigs that can grind the outside diameter surface of the bearings with exact precision.



Fig. 1 Cylindrical Roller Bearings for the Backing Shafts of Multi-roll Mills

**JTEKT satisfies all needs specific to cylindrical roller bearings for backing shafts.**

- More durable outer ring
- Inner ring with longer rolling fatigue life
- Outer ring with higher running accuracy after regrinding
- More efficient outer ring regrinding

**JTEKT has solutions to your needs.**

## Contents

1. Introduction .....	1
2. Construction and Advantages of Koyo Bearings .....	2
3. Regrinding Jigs for Bearings for Backing Shafts .....	3
4. Measurement for Bearing Section Height .....	4
5. Dimension Tables .....	5
6. Varieties of Multi-roll Mills and Their Roll Arrangements .....	9

## 2. Construction and Advantages of Koyo Bearings

On each backing shaft of a multi-roll mill, several bearings are installed side by side. With their outside diameter surfaces in direct contact with the intermediate rolls, these bearings rotate while carrying components of rolling force. Therefore, the outer rings of these bearings are required to have adequate rigidity and fatigue strength, and should be finished with high precision.

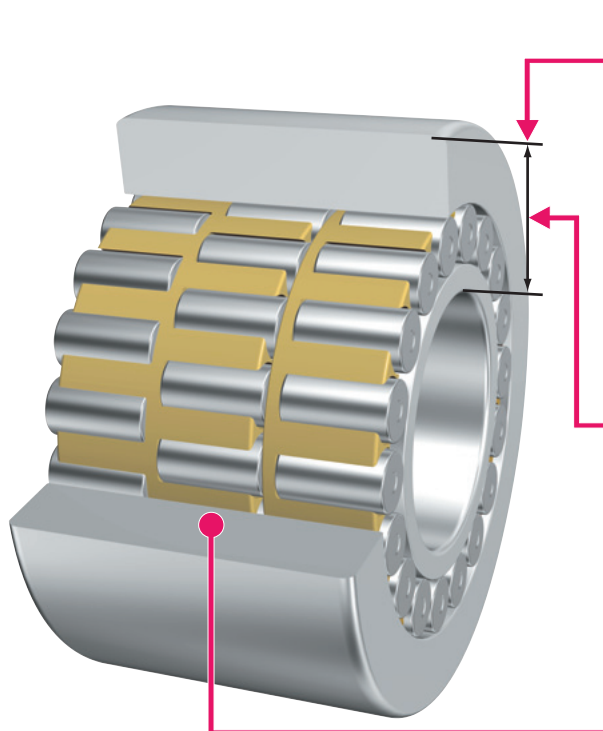


Fig. 2 Structural row of three row cylindrical roller bearing

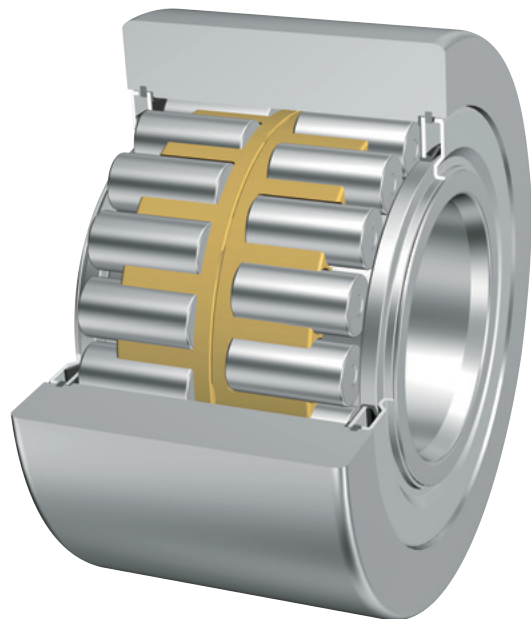


Fig. 3 Structural row of sealed type multiple row cylindrical roller bearing

- The outside diameter surfaces of these bearings are crowned, preventing load concentration at the ends and thus protecting the intermediate rolls from damage.

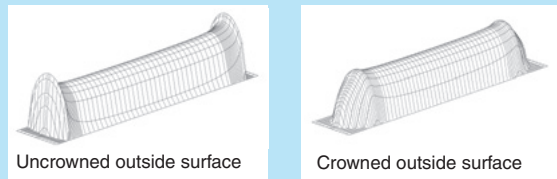


Fig. 4 Typical Contact Stress Distribution of Outer-ring Outside Surface

- The bearing section height and running accuracy of JTEKT's precision produced bearings realize optimal load distribution, contributing to the improved precision of rolled products.

- The outer rings of Koyo bearings for backing shafts are made from a newly developed steel material, processed by JTEKT's original cored hardening treatment. Compared with carburized steel, this newly developed steel has the following advantages:

- The suitably soft core ensures superior impact resistance.
- The thick hardened surface layer ensures high rigidity and provides the outside diameter surface with an increased regrinding allowance.
- The excellent material composition realizes high fatigue strength.

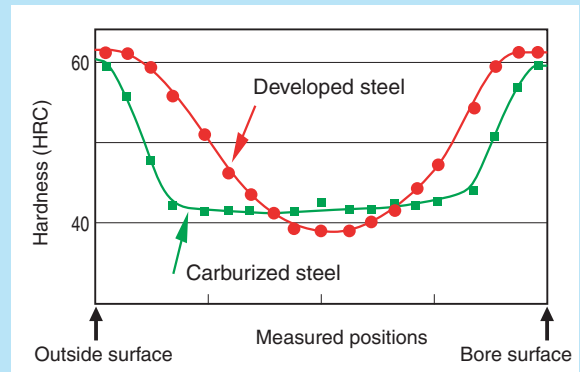


Fig. 5 Typical Hardness Distribution of cored hardening Outer Ring



Fig. 6 Macroscopic Material Composition

\* The cored hardening treatment is applicable to bearings of no less than 130 mm in bore diameter.

### 3. Regrinding Jigs for Bearings for Backing Shafts

#### Overview

The outside diameter surfaces of the bearings used on the backing shafts of multi-roll mills should be ground periodically to retain precise bearing performance, thus ensuring the quality of rolled products. JTEKT supplies the jigs that grind bearing's outside diameter surface with high precision.

#### Advantages

##### 1 The jigs minimize the radial runout of the bearings.

Once the bearing is installed into the jig, the jig completely nullifies any clearance on the fitting surface between the jig and bearing and the internal clearance of the bearing, eliminating play in the radial direction. The jig grinds the outside diameter surface while turning the outer ring and retaining the inner ring as stationary, enabling grinding under the same conditions as when in operation.

##### 2 The jigs improve efficient installation and removal.

Bearings can be installed on and removed from the jig easily without the need of disassembling the inner ring and outer ring. There is no possibility that rollers will come off.



Fig. 7 Bearing-regrinding Jig

#### Jig Types and Constructions

The jigs come in two types, which should be selected according to the dimensions and types of backing-shaft bearings. Please specify the type suitable to your needs.

##### ■ Type 1

This type is suitable to bearings with the outer ring with ribs and with a bore diameter no less than 70 mm. This jig requires holes for work carrier on the end face of the outer ring.

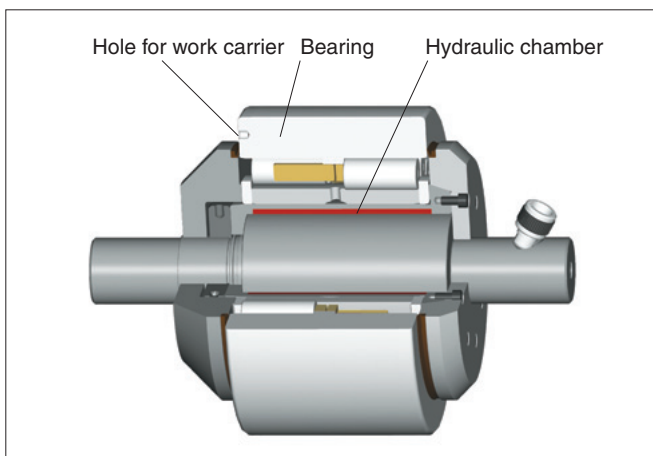


Fig. 8 Typical Installation of Suitable Bearing on Jig Type 1

##### ■ Type 2

This jig is suitable with bearings with the outer ring without ribs, such as those used on the Sendzimir Rolling Mills ZR21 and ZR22.

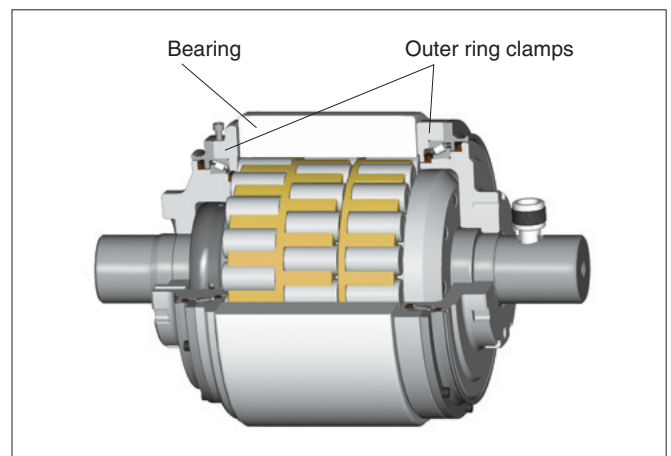


Fig. 9 Typical Installation of Suitable Bearing on Jig Type 2

### 4. Measurement for Bearing Section Height

#### Overview

When the outside diameter surface of a bearing is ground, it is critical to accurately control the variation of bearing section heights of all the bearings installed on the backing shaft. JTEKT supplies Measurement for bearing section height that suit the individual bearings listed on the dimensional table.

#### Advantages

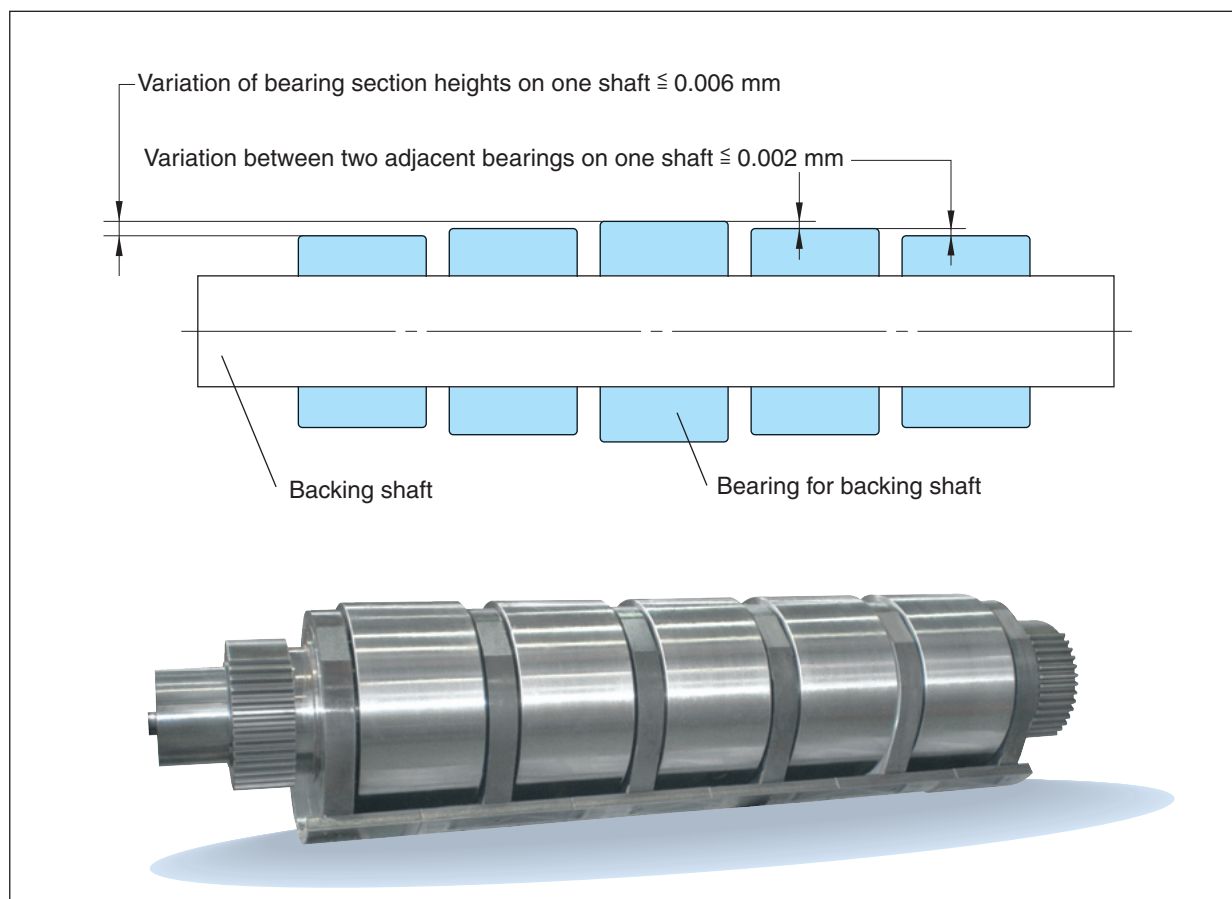
- 1** These bearing section height measurements are highly rigid and perform extremely precise measurement.
- 2** These measurements can measure the running accuracy of the outer rings as well.
- 3** For easy bearing installation and removal, the measurements are arbor-shaped.



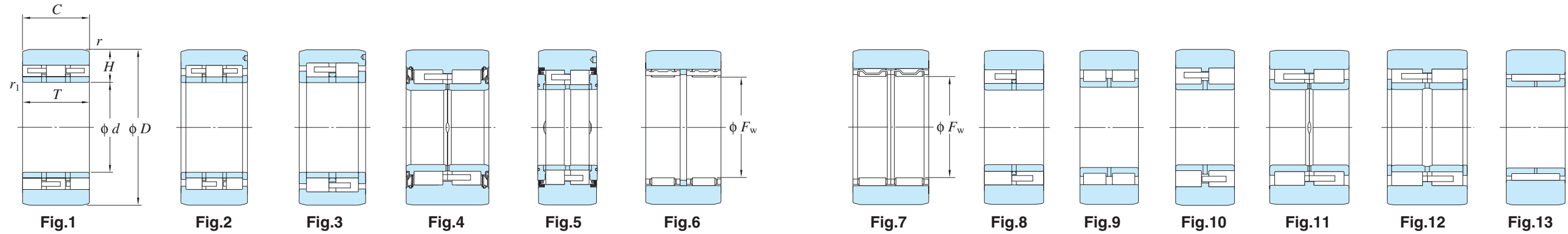
Fig. 10 Measurement for Bearing Section Height

### Reference information

JTEKT can supply the bearings listed in the dimensional table such that they can be assembled on the backing shaft so as to satisfy the bearing section height tolerances shown below:



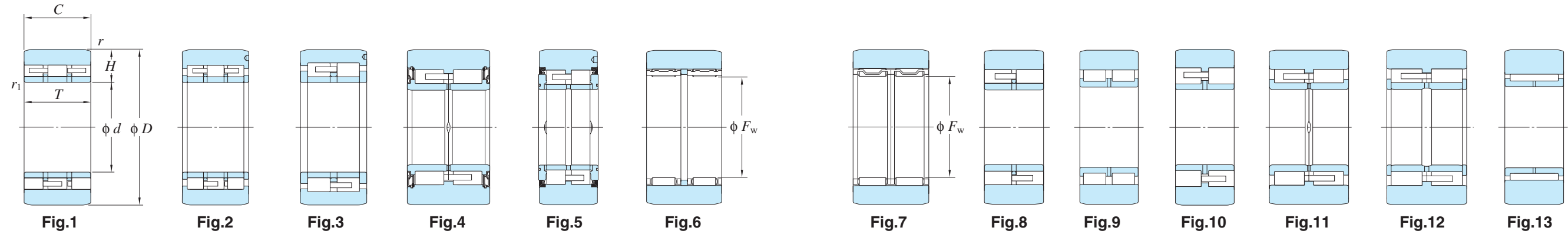
## 5. Dimension Tables



Boundary dimensions (mm)						Basic load rating (kN)		Bearing number	Fig.	Bearing section height at the time of manufacture (mm) <i>H</i>	Mass (kg)	Compatible Rolling Mill Model	Number of bearings used per mill <sup>1)</sup>
<i>d</i> ( <i>F<sub>w</sub></i> )	<i>D</i>	<i>T</i>	<i>C</i>	<i>r</i>	<i>r</i> <sub>1</sub>	<i>C<sub>r</sub></i>	<i>C</i> <sub>0r</sub>						
(18)	35	–	46	0.5	–	33.8	52	04DC04046ADS	6	8.4875	0.225	Z-High	24
(25)	45	–	45	0.8	–	35.3	59.3	05DC05045ADS	6	9.9875	0.350	Z-High	64
(28)	48	–	55	0.8	–	44.5	93.3	06DC05055BDS	7	9.9875	0.468	Z-High	128
(28)	54	–	55	0.8	–	44.5	93.3	06DC05055DS	7	12.9875	0.677	Z-High	64
31.75	76.2	46.23	45.85	0.8	1.5	96.3	183	06DC0846A	9	22.200	1.27	ZR34	40
(45)	85	–	55	0.8	–	59.1	160	09DC09055DS	7	19.9925	1.69	Z-High	128
50	120	80	80	1.5	1.5	268	379	10DC1280DS	3	34.976	5.15	KT	32
50	120	85	85	1.5	1.5	303	427	10DC1285DS	3	34.984	5.40	KT	32
54.999	120	25.999	25.999	1.6	1.6	77.7	138	11N1226V	13	32.4672	1.69	ZR24	24,56
55	120	52.197	52	1.6	1.6	203	341	11DC1252	9	32.483	3.27	ZR24	40
60	160	95	95	1.5	2	398	589	12DC1695DS	3	46.484	11.5	KT	20(32)
62	155	90	90	1	2	356	529	12DC1690DS	3	46.484	9.97	KST	8(44)
62	155	110	110	1	2	404	622	12DC16110DS	2	46.484	12.2	KST	36(44)
65	165	70	70	1.5	2	424	586	13DC1770DS	10	49.982	8.83	Sundwig	40
65	170	100	100	2	2	398	597	13DC17100DS	3	52.480	13.5	KT	10(34)
70	160	90	90	1.5	1.5	347	546	14DC1690LDS-1	11	44.977	10.1	ZR33	40
70	160.07	90	90	1.5	1.5	379	667	14DC1690ADS	1	45.000	10.5	ZR33	32,48,72
90	220	94	94	2	1.5	687	997	18DC2294DS	10	64.976	21.2	Sundwig	40
90	220	96	94	3	3	494	700	18DC2294/96DS	5	65.000	21.0	Sundwig	64
90	220	95	95	2	2	532	795	18DC2295DS	3	64.982	20.9	KST	40
90	220	130	130	2	2	699	1130	18DC22130ADS	2	64.982	28.7	KST	32,40
90	230	100	100	2	3	643	982	18DC23100DS	3	69.980	24.2	KT	24(34)
90	260	125	125	2	2	923	1520	18DC26125DS	3	84.970	41.3	KT	34

Note 1) Parenthesized figures indicate the numbers of bearings required for a mill. Difference from the parenthesized figure means the use of bearings of different number.

## 5. Dimension Tables



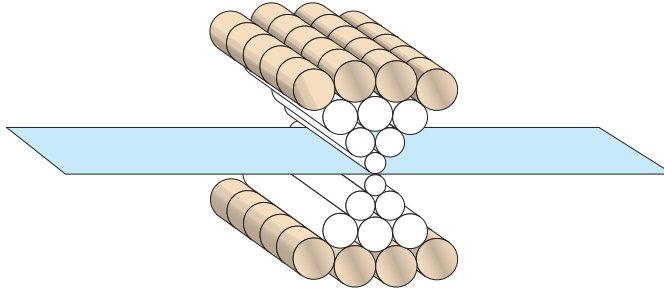
Boundary dimensions (mm)						Basic load rating (kN)		Bearing number	Fig.	Bearing section height at the time of manufacture (mm) <i>H</i>	Mass (kg)	Compatible Rolling Mill Model	Number of bearings used per mill <sup>1)</sup>
$d(F_w)$	<i>D</i>	<i>T</i>	<i>C</i>	<i>r</i>	$r_1$	$C_r$	$C_{or}$						
100	225.021	80	80	1.5	1.5	607	991	20DC23080DS	8	62.474	18.2	ZR23	12(36)
100	225	100	100	3	1.5	547	838	20DC23100NDS-1	11	62.480	21.7	ZR23	40
99.995	225	120	120	1.5	1.5	625	995	20DC23120KDS-2	4	62.474	26.0	ZR23	32,40,48
100	225	120	120	3	1.5	676	1 100	20DC23120LDS-1	12	62.4775	26.3	ZR23	32,48,56
100	225.021	120	120	1.5	1.5	814	1 440	20DC23120MDS	1	62.474	27.2	ZR23	32
100	260	95	95	2	2	698	1 060	20DC2695DS	3	79.970	30.2	KT	32
100	260	105	105	2	2	710	787	20DC26105DS	3	79.970	33.5	KT	32
100	260	130	130	2	2	952	1 580	20DC26130DS	3	79.970	41.5	KT	32
110	280	165	165	2	2	1 120	1 880	22DC28165DS	2	84.965	60.2	KT	10(34)
115	260	140	140	3	2	976	1 690	23DC26140DS	2	72.470	41.9	KST	40
120	280	165	165	2	3	1 100	1 940	24DC28165DS	3	79.965	57.7	KT	14(38)
120	350	165	165	2	3	1 370	2 220	24DC35165ADS	12	114.965	98.3	KT	24(34)
130	300.02	130	129	2	3	1 050	1 740	26DC30130DS	3	85.010	52.2	Sundwig	56
130	300.02	130	129	4	3.5	1 070	1 620	26DC30130BDS	5	85.010	51.8	Sundwig	-
130	300.02	132	129	2	3	1 140	1 830	26DC30132ADS	3	85.010	53.8	Sundwig	72
130	300	160	159.5	4	3.5	1 330	2 340	26DC30160DS	1	84.9617	64.8	ZR22	40,48
130	300	172.644	172.644	4	3.5	1 560	2 900	26DC30170MDS-5	1	84.955	72.6	ZR22	40,48
130	300	172.644	172.644	4	3.5	1 320	2 210	26DC30170KDS-3	4	84.955	70	ZR22	40,48
130	350	175	175	2	3	1 400	2 300	26DC35175DS	12	109.965	101	KT	24(38)
180	406.42	171.04	171.04	4	4	2 060	3 810	36DC41171DS	1	113.155	130	ZR21	48,56
180	406.42	171.04	171.04	4	1	1 910	3 340	36DC41171ADS	12	113.155	124	ZR21	48,56
180	406.42	171.04	171.04	4	3	1 550	2 700	36DC41171KDS	4	113.155	121	ZR21	48
179.984	406.43	223.96	217	4	0.5	2 350	4 500	36DC41217DS+DP	1	113.155	161	ZR21	40,48
179.984	406.43	224.25	220	4	3	1 870	3 340	36DC41224KDS	4	113.181	150	ZR21	32,48
180	406.42	224.25	224	4	3	2 290	4 230	36DC41224QDS	11	113.155	162	ZR21	40,48

Note 1) Parenthesized figures indicate the numbers of bearings required for a mill. Difference from the parenthesized figure means the use of bearings of different number.

## 6. Varieties of Multi-roll Mills and Their Roll Arrangements

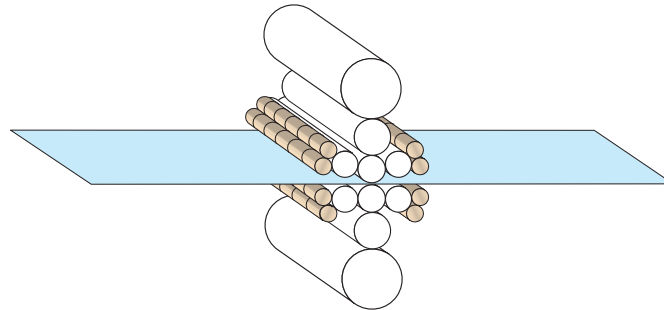
### ZR..

Sendzimir  
20-High Mill



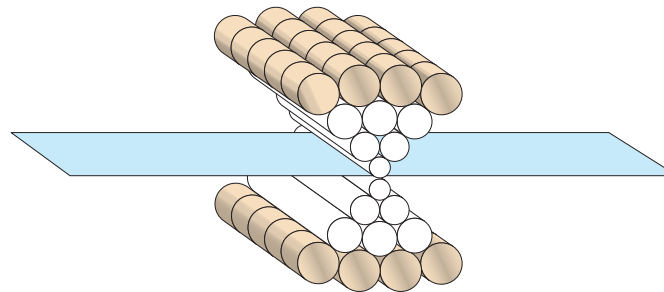
### Z-High

Sendzimir  
Z-High Mill



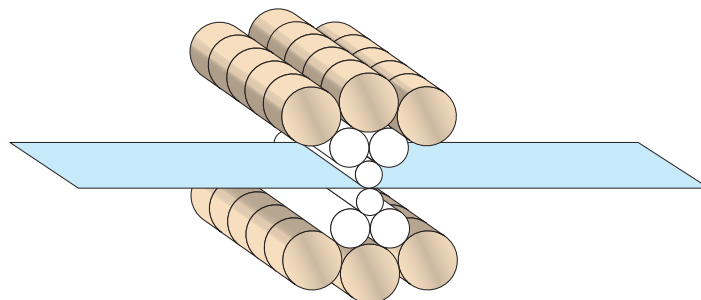
### KST

KOBELCO  
KST Mill



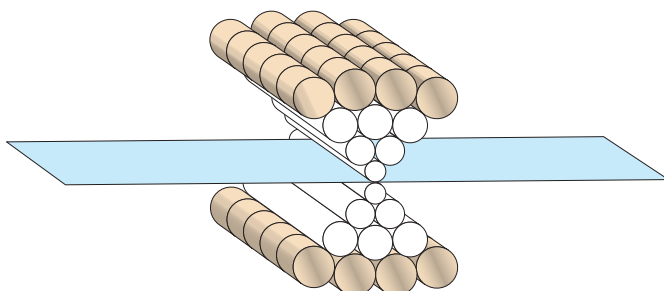
### KT

KOBELCO  
KT Mill



### Sundwig

Sundwig  
20-High Mill





# GLOBAL NETWORK BEARING BUSINESS OPERATIONS

## JTEKT CORPORATION NAGOYA HEAD OFFICE

No.1-1, Asahimachi, Kariya, Aichi 448-8652, JAPAN  
(move to Midland Square at Meieki 4-chome, Nakamura-ku,  
Nagoya, is planned for Dec. 2006)  
TEL : 81-566-25-5111  
FAX : 81-566-25-5470

## JTEKT CORPORATION OSAKA HEAD OFFICE

### Sales & Marketing Headquarters

No.5-8, Minamisemba 3-chome, Chuo-ku, Osaka 542-8502,  
JAPAN  
TEL : 81-6-6245-6087  
FAX : 81-6-6244-9007

## OFFICES

### KOYO CANADA INC.

5324 South Service Road, Burlington, Ontario L7L 5H5, CANADA  
TEL : 1-905-681-1121  
FAX : 1-905-681-1392

### KOYO CORPORATION OF U.S.A.

#### -Cleveland Office-

29570 Clemens Road, P.O.Box 45028 Westlake,  
OH 44145, U.S.A.  
TEL : 1-440-835-1000  
FAX : 1-440-835-9347

#### -Detroit Office-

47771 Halyard Drive, Plymouth, MI 48170, U.S.A.  
TEL : 1-734-454-1500  
FAX : 1-734-454-4076

### KOYO MÉXICANA, S.A. DE C.V.

Rio Nazas No.171, 3er piso, Col. Cuauhtemoc, México, D.F. C.P.  
06500, MÉXICO  
TEL : 52-55-5207-3860  
FAX : 52-55-5207-3873

### KOYO LATIN AMERICA, S.A.

Edificio Banco del Pacifico Planta Baja, Calle Aquilino de la  
Guardia y Calle 52, Panama, REPUBLICA DE PANAMA  
TEL : 507-208-5900  
FAX : 507-264-2782/507-269-7578

### KOYO ROLAMENTOS DO BRASIL LTDA.

Rua Desembargador Eliseu Ghilherme 304, 7-Andar, Paraiso,  
CEP 04004-30, BRASIL  
TEL : 55-11-3887-9173  
FAX : 55-11-3887-3039

### JTEKT (THAILAND) Co., LTD.

172 Moo 12 Tambol Bangwua, Amphur Bangpakong,  
Chachoengsao 24180, THAILAND  
TEL : 66-38-533-310-7  
FAX : 66-38-532-776

### KOYO SINGAPORE BEARING (PTE.) LTD.

#09-01, C&P Logistics Hub2, 27, Penjuru Lane, SINGAPORE,  
609195  
TEL : 65-6274-2200  
FAX : 65-6862-1623

#### -India Branch-

1104, GD-ITL Tower, B-08, NETAJI SUBHASH PLACE, PITAM  
PURA, DELHI 110034 INDIA  
TEL : 91-11-2735-3502~04  
91-11-5537-4803~04  
FAX : 91-11-2715-3501

### PHILIPPINE KOYO BEARING CORPORATION

Rm.504, Comfoods Bldg., Cor. Gil Puyat Ave. and  
Pasong Tamo, Makati City, PHILIPPINES  
TEL : 63-2-817-8881/8901  
FAX : 63-2-867-3148

### JTEKT KOREA CO., LTD.

Inwoo Building 6F, 539-11, Shinsa-Dong,  
Kangnam-Ku, Seoul, KOREA  
TEL : 82-2-549-7922  
FAX : 82-2-549-7923

### JTEKT CORPORATION BEIJING LIAISON OFFICE

Room 1108 Tower-B Winterless-Center, No.1 Xidawang-Road,  
Chaoyang-District, Beijing, CHINA  
TEL : 86-10-6538-8070  
FAX : 86-10-6538-8077

### KOYO (SHANGHAI) CO., LTD.

Rm.1905, Aetna Tower, 107 Zunyi Road, Shanghai 200051, CHINA  
TEL : 86-21-6237-5280  
FAX : 86-21-6237-5277

### JTEKT CORPORATION SHANGHAI LIAISON OFFICE

Rm.1907, Aetna Tower, 107 Zunyi Road, Shanghai 200051, CHINA  
TEL : 86-21-6237-5280  
FAX : 86-21-6237-5277

### KOYO AUSTRALIA PTY. LTD.

Unit 7, 175-179 James Ruse Drive, Rosehill, N.S.W. 2142,  
AUSTRALIA  
TEL : 61-2-9638-2355  
FAX : 61-2-9638-3368

### JTEKT CORPORATION EUROPEAN BEARING CENTRAL OFFICE

Markerkant 13-01, 1314 AN Almere, THE NETHERLANDS  
TEL : 31-36-5383333  
FAX : 31-36-5347212

### KOYO KULLAGER SCANDINAVIA A.B.

Johanneslundsvagen 4 194 61 Upplands Väsby, SWEDEN  
TEL : 46-8-594-212-10  
FAX : 46-8-594-212-29

### KOYO (U.K.) LTD.

Whitehall Avenue, Kingston, Milton Keynes MK10 OAX,  
UNITED KINGDOM  
TEL : 44-1908-289300  
FAX : 44-1908-289333

### EUROPA-KOYO B.V.

Lekdijk 187, 2967 GJ Langerak, THE NETHERLANDS  
TEL : 31-184-606800  
FAX : 31-184-602572/606857

### KOYO ROMANIA REPRESENTATIVE OFFICE

Str. Frederic Jolliot-Curie, Nr.3, Etaj 1, Ap.2, Sector 5  
Bucharest, ROMANIA  
TEL : 40-21-410-4170/4182/0984  
FAX : 40-21-410-1178

### KOYO DEUTSCHLAND GMBH.

Bargkoppelweg 4, D-22145 Hamburg, GERMANY  
TEL : 49-40-67-9090-0  
FAX : 49-40-67-9203-0

### KOYO FRANCE S.A.

8 Rue Guy Moquet, B.P.189 Z.I., 95105 Argenteuil Cedex, FRANCE  
TEL : 33-1-3998-4202  
FAX : 33-1-3998-4244/4249

### KOYO IBERICA, S.L.

Avda.da la Industria, 52-2 izda 28820  
Coslada Madrid, SPAIN  
TEL : 34-91-329-0818  
FAX : 34-91-747-1194

### KOYO ITALIA S.R.L.

Via Bronzino 9, 20133 Milano, ITALY  
TEL : 39-02-2951-0844  
FAX : 39-02-2951-0954

★The contents of this catalog are subject to change without prior notice.  
Every possible effort has been made to ensure that the data listed in this catalog is correct.  
However, we can not assume responsibility for any errors or omissions.

Reproduction of this catalog without written consent is strictly prohibited

## Value & Technology

