

MEDWAY®



MALE ROD END BEARINGS

MEDWAY (UK) LIMITED

M.P.T. HOUSE BRUNSWICK ROAD COBBS WOOD INDUSTRIAL ESTATE ASHFORD KENT TN23 1EL U.K.
☎ +44 (0) 1233 663340 📠 +44 (0) 1233 664440 ✉ sales@medway-uk.com 🌐 www.medway-uk.com

MP - SERIES

MPM - MPI - MPMS - MPIS - MPM-SS - MPI-SS

PAGE 1

Description

MP - Series is our 3-piece standard range of self lubricating general purpose male rod ends suitable for light to medium heavy industrial/mechanical load applications requiring low friction and good wear resistance, available in both metric & imperial bore & thread sizes. They have excellent moisture resistance and require no maintenance and have a wide operating temperature range.

Materials

Housing: Steel 230M07PB Zinc plated white & blue passivate (silver/clear) & Stainless steel 303C

Race: GR-Nylon LV-3H

Ball: Bearing Steel 100Cr6, case hardened & electro-less Nickel plated & stainless steel 440C & *SAE660

Stud: Steel 230M07PB Zinc plated white & blue passivate (silver/clear) & Stainless steel 303C

Features

Metric & imperial thread & bore sizes
Low friction
Self-lubricating
Good wear resistance
Excellent moisture resistance
No maintenance
Studded option

Possible Applications

Light to medium/heavy industrial/mechanical applications
Construction Equipment
Agricultural Equipment
Recreational vehicles
Precision equipment
Linear movement

Temperature Range

-30°C to +170°C

Specification

ELV & RoHS compliant



MB - SERIES

MBM - MBI - MBMS - MBIS - MBM-SS - MBI-SS

PAGE 6

Description

MB - Series is our 4-piece standard range of maintenance required general purpose male rod ends suitable for medium heavy industrial/mechanical load applications requiring low friction and good wear resistance, available in both metric & imperial bore & thread sizes. An oil impregnated sintered bronze race is also available for some sizes or if quantity justifies production, suitable for high precision motion transfer applications and extended wear life.

Materials

Housing: Steel 230M07PB Zinc plated white & blue passivate (silver/clear) & Stainless steel 303C

Race: Bronze SAE660 & Oil impregnated sintered bronze

Ball: Bearing Steel 100Cr6, case hardened & electro-less Nickel plated & Stainless steel 440C

Stud: Steel 230M07PB Zinc plated white & blue passivate (silver/clear) & Stainless steel 303C

Features

Metric & imperial thread & bore sizes
Low friction
Self-lubricating option available
Extended wear life
Maintenance required
Studded option

Possible Applications

Medium/heavy industrial/mechanical applications
Construction Equipment
Agricultural Equipment
Recreational vehicles
Precision equipment

Temperature Range

-34°C to +149°C

Specification

ELV & RoHS compliant



MS - SERIES

MSM - MSI - MSMS - MSIS - MSM-SS - MSI-SS

PAGE 11

Description

MS - Series is our 3 piece steel on steel range of general purpose male rod ends incorporating a thin PTFE fabric between the ball and the liner material, suitable for high shock loads and medium to heavy industrial/mechanical load applications requiring low friction, available in both metric and imperial bore and thread sizes, they do not require maintenance.

Materials

Housing: Forged steel 080M46 Zinc plated white & blue passivate (silver/clear) & forged stainless steel 304C

Inner ring: Steel 080M46 & stainless steel 304C

Liner: PTFE fabric

Ball: Bearing Steel 100Cr6, case hardened & electro-less Nickel plated & Stainless steel 440C

Stud: Steel 230M07PB Zinc plated white & blue passivate (silver/clear) & Stainless steel 303C

Features

Metric & imperial thread & bore sizes
Low friction
High shock loads
Extended wear life
No maintenance
Studded option

Possible Applications

Medium/heavy industrial/mechanical applications
Construction Equipment
Agricultural Equipment
Recreational vehicles
High precision motion control

Temperature Range

-53°C to +121°C

Specification

ELV & RoHS compliant



HM - SERIES

HMM - HIM - HMMS - HIMS - HMMSS - HIMSS - HMM-SS - HIM-SS

PAGE 14

Description

HM - Series is our 3 piece unique Internationally patented range of male rod ends incorporating a polyurethane bearing race that provides ultra smooth operation. A Nitrotec surface protected ball with a PTFE lubricant provide superior shock load and extended wear properties combined with excellent chemical and corrosion resistance. The unique innovative captive body design prevents detachment through excessive axial loads. For optimum performance ensure that the rod end is mounted with the moulded lettering facing away from the direction of pull.

Materials

Housing: Steel 230M07PB Zinc plated white & blue passivate (silver/clear) & Stainless steel 303C.

Race: Polyurethane.

Ball: 230M07PB Nitrotec finish & Stainless steel 440C.

Stud: Steel 230M07PB Zinc plated white & blue passivate (silver/clear) & Stainless steel 303C.

Lubricant: Uniflor oil.

Features

Metric & imperial thread & bore sizes

Ultra low friction

High shock loads

Extended wear life

No maintenance

Studded option

Temperature Range

-30° to +80°C

Possible Applications

Light to medium industrial/mechanical applications

Construction Equipment

Agricultural Equipment

Recreational vehicles

High precision motion control

Safety features

Specification

ELV & RoHS compliant



RM - SERIES

RMM - RMMS - RMM-SS

PAGE 18

Description

RM - Series is our 3-piece thin series range of male rod ends that have been specifically designed for use with other linkage components such as Clevises etc, the RM-series design allows the rod ends head and ball to neatly slide inside of its mating clevises fork end, ideal for fitting to pre-assembled linkages. Metric and imperial bore and thread sizes are available. Standard product is supplied with a frictional load on the bearing ball, recommended for applications where misalignment may arise in an assembly.

Material Specifications

Housing: Steel 230M07PB Zinc plated white & blue passivate (silver/clear) & Stainless steel 303C

Race: Nylon 66 glass filled with Molybdenum disulphide

Ball: Bearing Steel 100Cr6, case hardened & electro-less Nickel plated & Stainless steel 440C

Stud: Steel 230M07PB Zinc plated white & blue passivate (silver/clear) & Stainless steel 303C

Lubricant: Uniflor oil

Features

Metric thread & bore sizes

Friction load

High shock loads

Thin section

No maintenance

Studded option

Temperature Range

-30°C to + 120°C

Possible Applications

Light to medium industrial/mechanical applications

Construction Equipment

Agricultural Equipment

Recreational vehicles

Specification

ELV & RoHS compliant



GAR - SERIES

GAR

PAGE 20

Description

GAR-Series is our 3 piece large bore range of male rod ends, incorporating a 2 piece spherical bearing with a PTFE liner that is staked into the forged steel housing. Suitable for high shock loads and medium to heavy industrial/mechanical load applications requiring low friction, available in both metric and imperial bore and thread sizes and they require no maintenance.

Material Specifications

Housing: Forged steel 080M46 Zinc plated white & blue passivate (silver/clear)

Inner ring: Steel 080M46

Liner: PTFE fabric

Ball: Bearing Steel 100Cr6, case hardened & electro-less Nickel plated & Stainless steel 440C

Features

Metric bore & thread sizes

Low friction

High shock loads

Extended wear life

No maintenance

Large sizes

Temperature Range

-30°C to + 120°C

Possible Applications

Medium to heavy industrial/mechanical applications

Construction Equipment

Agricultural Equipment

Specification

ELV & RoHS compliant



Description

DB-Series is our 3 piece "Dog Bone" range of rod ends primarily based on our MP-Series with regards to function and structure. A wide range of preset centre distances are available. Suitable for light to medium industrial/mechanical load applications requiring low friction, with good wear resistance and available in both metric and imperial bore sizes. They have excellent moisture resistance and require no maintenance.

Materials

Housing: Steel 230M07PB Zinc plated white & blue passivate (silver/clear)

Race: GR-Nylon LV-3H

Ball: Bearing Steel 100Cr6, case hardened & electro-less Nickel plated

Features

Metric & imperial thread & bore sizes

Low friction

Self-lubricating

Good wear resistance

Excellent moisture resistance

No maintenance

Temperature Range

-30°C to +170°C

Possible Applications

Light - medium-heavy industrial/mechanical applications

Construction Equipment

Agricultural Equipment

Recreational vehicles

Specification

ELV & RoHS compliant



Notes |

All Metric rod ends are based on DIN648 and all imperial rod ends are based on SAE spec J1120.

40% of our total production is purpose made to suit individual customer requirements, therefore please do not hesitate to contact us for any item not shown or if you have a specific application, our engineering team are available to help you.

All of the above catalogue male rod end bearings are ELV & RoHS compliant, all housings/bodies are Zinc plated with white & blue passivate (Silver/Clear) specification suffix "F39" unless otherwise stated to give a surface protection of 96 hours salt spray, other plating options are available but may not be ELV & RoHS compliant, please refer to our "Plating Options" section for full details and availability.

Every care has been taken to ensure the accuracy of the information contained in the following pages of this publication. No liability can be accepted for any loss or damage whether direct or indirect or consequential arising out of the use of the information contained herein. The stated load rating and design options are provided as an indication only and customers should test the suitability of all products to their own satisfaction, applications vary immensely therefore samples are available for this purpose.

MPM - SERIES MAINTENANCE FREE

ROD ENDS WITH MALE THREAD

Materials

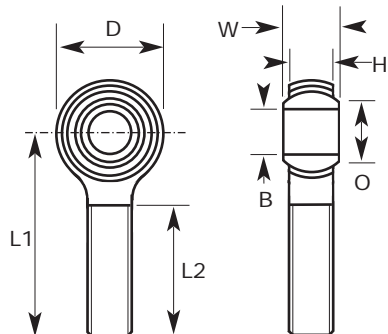
Housing: Steel 230M07PB, Zinc plated white & blue passivate (silver/clear).

Race: GR-Nylon, LV-3H.

Ball: Bearing Steel 100Cr6, case hardened & electro-less Nickel plated.

Specification

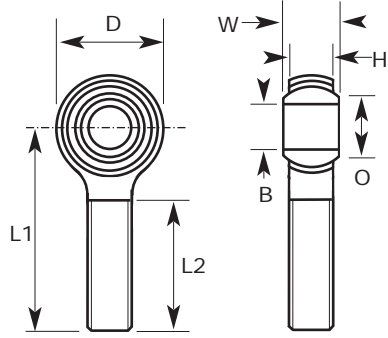
ELV & RoHS Compliant.



METRIC

PART NO. RIGHT HAND	PART NO. LEFT HAND	BORE SIZE	THREAD	W	H	D	L1	L2	O	STATIC LOAD RATING (NEWTONS) RADIAL
MP-M03	MPL-M03	3	M3X0.50	6	4.50	12	27	15	5.20	3,040
MP-M04-3	MPL-M04-3	3	M4X0.70	7	5.00	14	30	18	6.30	4,060
MP-M04	MPL-M04	4	M4X0.70	7	5.00	14	30	18	6.30	4,060
MP-M05-4	MPL-M05-4	4	M5X0.80	8	6.00	16	33	20	7.50	5,340
MP-M05	MPL-M05	5	M5X0.80	8	6.00	16	33	20	7.50	5,340
MP-M06-5	MPL-M06-5	5	M6X1.00	9	6.75	18	36	22	9.30	7,720
MP-M06	MPL-M06	6	M6X1.00	9	6.75	18	36	22	9.30	7,720
MP-M08-6	MPL-M08-6	6	M8X1.25	12	9.00	22	42	25	10.40	12,775
MP-M08-6C	MPL-M08-6C	6	M8X1.00	12	9.00	22	42	25	10.40	12,775
MP-M08	MPL-M08	8	M8X1.25	12	9.00	22	42	25	10.40	12,775
MP-M08C	MPL-M08C	8	M8X1.00	12	9.00	22	42	25	10.40	12,775
MP-M10-8	MPL-M10-8	8	M10X1.50	14	10.50	26	48	29	12.90	16,960
MP-M10-8C	MPL-M10-8C	8	M10X1.25	14	10.50	26	48	29	12.90	16,960
MP-M10	MPL-M10	10	M10X1.50	14	10.50	26	48	29	12.90	16,960
MP-M10C	MPL-M10C	10	M10X1.25	14	10.50	26	48	29	12.90	16,960
MP-M12-10	MPL-M12-10	10	M12X1.75	16	12.00	30	54	33	15.40	22,900
MP-M12-10C	MPL-M12-10C	10	M12X1.25	16	12.00	30	54	33	15.40	22,900
MP-M12	MPL-M12	12	M12X1.75	16	12.00	30	54	33	15.40	22,900
MP-M12C	MPL-M12C	12	M12X1.25	16	12.00	30	54	33	15.40	22,900
MP-M14-12	MPL-M14-12	12	M14X2.00	19	13.50	34	60	36	16.80	28,950
MP-M14-12C	MPL-M14-12C	12	M14X1.50	19	13.50	34	60	36	16.80	28,950
MP-M14	MPL-M14	14	M14X2.00	19	13.50	34	60	36	16.80	28,950
MP-M14C	MPL-M14C	14	M14X1.50	19	13.50	34	60	36	16.80	28,950
MP-M16-14	MPL-M16-14	14	M16X2.00	21	15.00	38	66	40	19.30	37,130
MP-M16-14C	MPL-M16-14C	14	M16X1.50	21	15.00	38	66	40	19.30	37,130
MP-M16	MPL-M16	16	M16X2.00	21	15.00	38	66	40	19.30	37,130
MP-M16C	MPL-M16C	16	M16X1.50	21	15.00	38	66	40	19.30	37,130
MP-M18-16C	MPL-M18-16C	16	M18X1.50	23	16.50	46	72	43	21.80	45,730
MP-M18C	MPL-M18C	18	M18X1.50	23	16.50	46	72	43	21.80	45,730
MP-M20-18	MPL-M20-18	18	M20X2.50	25	18.00	50	78	46	24.50	55,240
MP-M20-18C	MPL-M20-18C	18	M20X1.50	25	18.00	50	78	46	24.50	55,240
MP-M20	MPL-M20	20	M20X2.50	25	18.00	50	78	46	24.50	55,240
MP-M20C	MPL-M20C	20	M20X1.50	25	18.00	50	78	46	24.50	55,240
MP-M22	MPL-M22	22	M22X1.50	28	20.00	54	84	51	25.80	57,420
MP-M25	MPL-M25	25	M24X2.00	31	22.00	60	94	57	29.60	67,140

MPI - SERIES MAINTENANCE FREE ROD ENDS WITH MALE THREAD



Materials

Housing: Steel 230M07PB, Zinc plated white & blue passivate (silver/clear).

Race: GR-Nylon, LV-3H.

Ball: Bearing Steel 100Cr6, case hardened & electro-less Nickel plated.

***Ball:** SAE 660 Bronze.

Specification

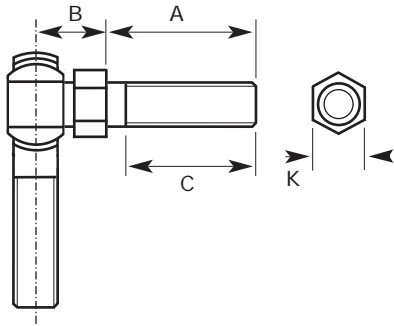
ELV & RoHS Compliant.



IMPERIAL

PART NO. RIGHT HAND	PART NO. LEFT HAND	BORE SIZE	THREAD	W	H	D	L1	L2	O	STATIC LOAD RATING (NEWTONS) RADIAL
MP-03	MPL-03	3/16	10-32 UNF	0.312	0.250	0.625	1.250	0.750	0.306	5,340
MP-04-3	MPL-04-3	3/16	1/4 UNF	0.375	0.281	0.750	1.562	1.000	0.354	8,450
MP-04-3F	MPL-04-3F	3/16	1/4 BSF	0.375	0.281	0.750	1.562	1.000	0.354	8,450
MP-04	MPL-04	1/4	1/4 UNF	0.375	0.281	0.750	1.562	1.000	0.354	8,450
MP-04F	MPL-04F	1/4	1/4 BSF	0.375	0.281	0.750	1.562	1.000	0.354	8,450
MP-05-4	MPL-05-4	1/4	5/16 UNF	0.437	0.344	0.875	1.875	1.250	0.447	12,010
MP-05-4F	MPL-05-4F	1/4	5/16 BSF	0.437	0.344	0.875	1.875	1.250	0.447	12,010
MP-05	MPL-05	5/16	5/16 UNF	0.437	0.344	0.875	1.875	1.250	0.447	12,010
MP-05F	MPL-05F	5/16	5/16 BSF	0.437	0.344	0.875	1.875	1.250	0.447	12,010
MP-06-5	MPL-06-5	5/16	3/8 UNF	0.500	0.406	1.000	1.938	1.250	0.516	16,900
MP-06-5F	MPL-06-5F	5/16	3/8 BSF	0.500	0.406	1.000	1.938	1.250	0.516	16,900
MP-06	MPL-06	3/8	3/8 UNF	0.500	0.406	1.000	1.938	1.250	0.516	16,900
MP-06/1	MPL-06/1	10mm	3/8 UNF	0.500	0.406	1.000	1.938	1.250	0.516	16,900
MP-06/2	MPL-06/2	*3/8 HEX	3/8 UNF	0.500	0.406	1.000	1.938	1.250	0.516	16,900
MP-06F	MPL-06F	3/8	3/8 BSF	0.500	0.406	1.000	1.938	1.250	0.516	16,900
MP-07-6	MPL-07-6	3/8	7/16 UNF	0.562	0.437	1.125	2.125	1.375	0.586	19,750
MP-07-6F	MPL-07-6F	3/8	7/16 BSF	0.562	0.437	1.125	2.125	1.375	0.586	19,750
MP-07	MPL-07	7/16	7/16 UNF	0.562	0.437	1.125	2.125	1.375	0.586	19,750
MP-07F	MPL-07F	7/16	7/16 BSF	0.562	0.437	1.125	2.125	1.375	0.586	19,750
MP-08-7	MPL-08-7	7/16	1/2 UNF	0.652	0.500	1.312	2.438	1.500	0.700	28,900
MP-08-7F	MPL-08-7F	7/16	1/2 BSF	0.652	0.500	1.312	2.438	1.500	0.700	28,900
MP-08	MPL-08	1/2	1/2 UNF	0.652	0.500	1.312	2.438	1.500	0.700	28,900
MP-08F	MPL-08F	1/2	1/2 BSF	0.652	0.500	1.312	2.438	1.500	0.700	28,900
MP-10-8	MPL-10-8	1/2	5/8 UNF	0.750	0.562	1.500	2.625	1.625	0.811	32,000
MP-10-8F	MPL-10-8F	1/2	5/8 BSF	0.750	0.562	1.500	2.625	1.625	0.811	32,000
MP-10	MPL-10	5/8	5/8 UNF	0.750	0.562	1.500	2.625	1.625	0.811	32,000
MP-10F	MPL-10F	5/8	5/8 BSF	0.750	0.562	1.500	2.625	1.625	0.811	32,000
MP-12-10	MPL-12-10	5/8	3/4 UNF	0.875	0.687	1.875	2.875	1.750	0.978	52,400
MP-12-10F	MPL-12-10F	5/8	3/4 BSF	0.875	0.687	1.875	2.875	1.750	0.978	52,400
MP-12	MPL-12	3/4	3/4 UNF	0.875	0.687	1.875	2.875	1.750	0.978	52,400
MP-12F	MPL-12F	3/4	3/4 BSF	0.875	0.687	1.875	2.875	1.750	0.978	52,400
MP-16-12	MPL-16-12	3/4	1" UNF	1.375	1.00	2.625	4.125	2.125	1.021	65,200
MP-16-12F	MPL-16-12F	3/4	1" BSF	1.375	1.00	2.625	4.125	2.125	1.021	65,200
MP-16	MPL-16	1	1" UNF	1.375	1.00	2.625	4.125	2.125	1.021	65,200
MP-16F	MPL-16F	1	1" BSF	1.375	1.00	2.625	4.125	2.125	1.021	65,200

MPMS - SERIES STUDED MALE ROD ENDS



Materials

Housing: Steel 230M07PB, Zinc plated white & blue passivate (silver/clear).

Race: GR-Nylon, LV-3H.

Ball: Bearing Steel 100Cr6, case hardened & electro-less Nickel plated.

Stud: Steel 230M07PB, Zinc plated white & blue passivate (silver/clear).

Specification

ELV & RoHS Compliant.



METRIC

STUD SIZE	PART NO. RIGHT HAND	PART NO. LEFT HAND	THREAD	A	B	C	K	STATIC LOAD RATING (NEWTONS) RADIAL
M5	MP-M05S	MPL-M05S	M5X0.80	10	10	8	9	1,200
M5	MP-M06-5S	MPL-M06-5S	M6X1.00	12	12	10	10	1,200
M6	MP-M06S	MPL-M06S	M6X1.00	12	12	10	10	2,500
M6	MP-M08-6S	MPL-M08-6S	M8X1.25	16	16	14	13	2,500
M8	MP-M08S	MPL-M08S	M8X1.25	16	16	14	13	6,890
M8	MP-M10-8S	MPL-M10-8S	M10X1.50	20	20	18	17	6,890
M10	MP-M10S	MPL-M10S	M10X1.50	20	20	18	17	14,200
M10	MP-M12-10S	MPL-M12-10S	M12X1.75	24	24	21	19	14,200
M12	MP-M12S	MPL-M12S	M12X1.75	24	24	21	19	22,000
M12	MP-M14-12S	MPL-M14-12S	M14X2.00	28	28	25	22	22,000
M14	MP-M14S	MPL-M14S	M14X2.00	28	28	25	22	29,000
M14	MP-M16-14S	MPL-M16-14S	M16X2.00	32	32	29	24	29,000
M16	MP-M16S	MPL-M16S	M16X2.00	32	32	29	24	34,000

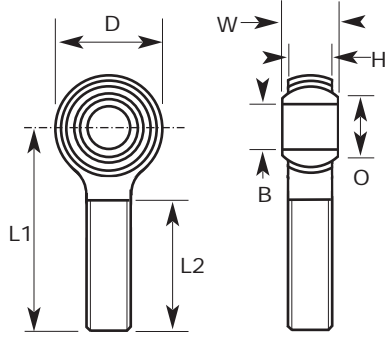
MPIS - SERIES STUDED MALE ROD ENDS

IMPERIAL

STUD SIZE	PART NO. RIGHT HAND	PART NO. LEFT HAND	HOUSING THREAD	A	B	C	K	STATIC LOAD RATING (NEWTONS) RADIAL
10-32 UNF	MP-03S	MPL-03S	10-32 UNF	0.500	0.516	0.437	0.312	1,200
10-32 UNF	MP-04-3S	MPL-04-3S	1/4 UNF	0.562	0.485	0.500	0.375	1,200
1/4 UNF	MP-04S	MPL-04S	1/4 UNF	0.562	0.485	0.500	0.375	2,970
1/4 UNF	MP-05-4S	MPL-05-4S	5/16 UNF	0.687	0.547	0.594	0.437	2,970
5/16 UNF	MP-05S	MPL-05S	5/16 UNF	0.687	0.547	0.594	0.437	6,880
5/16 UNF	MP-06-5S	MPL-06-5S	3/8 UNF	0.906	0.562	0.812	0.500	6,880
3/8 UNF	MP-06S	MPL-06S	3/8 UNF	0.906	0.562	0.812	0.500	12,830
3/8 UNF	MP-07-6S	MPL-07-6S	7/16 UNF	1.125	0.843	1.000	0.625	12,830
7/16 UNF	MP-07S	MPL-07S	7/16 UNF	1.125	0.843	1.000	0.625	20,690
7/16 UNF	MP-08-7S	MPL-08-7S	1/2 UNF	1.125	0.875	1.000	0.625	20,690
1/2 UNF	MP-08S	MPL-08S	1/2 UNF	1.125	0.875	1.000	0.625	24,820
1/2 UNF	MP-10-8S	MPL-10-8S	5/8 UNF	1.125	1.000	1.000	0.750	24,820
5/8 UNF	MP-10S	MPL-10S	5/8 UNF	1.125	1.000	1.000	0.750	33,880

B.S.F. threads are available from size MP-04S, (MPL-04S), and above by adding suffix "F" to the part number e.g. MP-08FS, (MPL-08FS). Stainless Steel, Grade 303L, Rod Ends are available by adding suffix "SS" to the part number e.g. MP-M10S-SS, (MPL-M10S-SS).

MPM - SS SERIES MAINTENANCE FREE ROD ENDS WITH MALE THREAD



Materials

Housing: Stainless Steel, 303L.

Race: GR-Nylon, LV-3H.

Ball: Stainless Steel 440C.

Specification

ELV & RoHS Compliant.

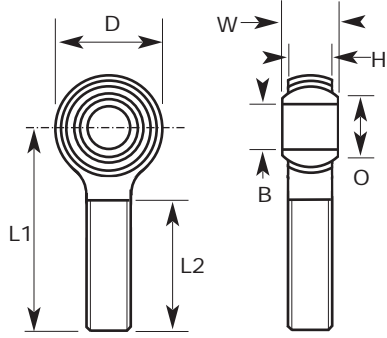


METRIC

PART NO. RIGHT HAND	PART NO. LEFT HAND	BORE SIZE	THREAD	W	H	D	L1	L2	O	STATIC LOAD RATING (NEWTONS) RADIAL
MP-M03SS	MPL-M03SS	3	M3X0.50	6	4.50	12	27	15	5.20	3,040
MP-M04-3SS	MPL-M04-3SS	3	M4X0.70	7	5.00	14	30	18	6.30	4,060
MP-M04SS	MPL-M04SS	4	M4X0.70	7	5.00	14	30	18	6.30	4,060
MP-M05-4SS	MPL-M05-4SS	4	M5X0.80	8	6.00	16	33	20	7.50	5,340
MP-M05SS	MPL-M05SS	5	M5X0.80	8	6.00	16	33	20	7.50	5,340
MP-M06-5SS	MPL-M06-5SS	5	M6X1.00	9	6.75	18	36	22	9.30	7,720
MP-M06SS	MPL-M06SS	6	M6X1.00	9	6.75	18	36	22	9.30	7,720
MP-M08-6SS	MPL-M08-6SS	6	M8X1.25	12	9.00	22	42	25	10.40	12,775
MP-M08-6CSS	MPL-M08-6CSS	6	M8X1.00	12	9.00	22	42	25	10.40	12,775
MP-M08SS	MPL-M08SS	8	M8X1.25	12	9.00	22	42	25	10.40	12,775
MP-M08CSS	MPL-M08CSS	8	M8X1.00	12	9.00	22	42	25	10.40	12,775
MP-M10-8SS	MPL-M10-8SS	8	M10X1.50	14	10.50	26	48	29	12.90	16,960
MP-M10-8CSS	MPL-M10-8CSS	8	M10X1.25	14	10.50	26	48	29	12.90	16,960
MP-M10SS	MPL-M10SS	10	M10X1.50	14	10.50	26	48	29	12.90	16,960
MP-M10CSS	MPL-M10CSS	10	M10X1.25	14	10.50	26	48	29	12.90	16,960
MP-M12-10SS	MPL-M12-10SS	10	M12X1.75	16	12.00	30	54	33	15.40	22,900
MP-M12-10CSS	MPL-M12-10CSS	10	M12X1.25	16	12.00	30	54	33	15.40	22,900
MP-M12SS	MPL-M12SS	12	M12X1.75	16	12.00	30	54	33	15.40	22,900
MP-M12CSS	MPL-M12CSS	12	M12X1.25	16	12.00	30	54	33	15.40	22,900
MP-M14-12SS	MPL-M14-12SS	12	M14X2.00	19	13.50	34	60	36	16.80	28,950
MP-M14-12CSS	MPL-M14-12CSS	12	M14X1.50	19	13.50	34	60	36	16.80	28,950
MP-M14SS	MPL-M14SS	14	M14X2.00	19	13.50	34	60	36	16.80	28,950
MP-M14CSS	MPL-M14CSS	14	M14X1.50	19	13.50	34	60	36	16.80	28,950
MP-M16-14SS	MPL-M16-14SS	14	M16X2.00	21	15.00	38	66	40	19.30	37,130
MP-M16-14CSS	MPL-M16-14CSS	14	M16X1.50	21	15.00	38	66	40	19.30	37,130
MP-M16SS	MPL-M16SS	16	M16X2.00	21	15.00	38	66	40	19.30	37,130
MP-M16CSS	MPL-M16CSS	16	M16X1.50	21	15.00	38	66	40	19.30	37,130
MP-M18-16CSS	MPL-M18-16CSS	16	M18X1.50	23	16.50	46	72	43	21.80	45,730
MP-M18CSS	MPL-M18CSS	18	M18X1.50	23	16.50	46	72	43	21.80	45,730
MP-M20-18SS	MPL-M20-18SS	18	M20X2.50	25	18.00	50	78	46	24.50	55,240
MP-M20-18CSS	MPL-M20-18CSS	18	M20X1.50	25	18.00	50	78	46	24.50	55,240
MP-M20SS	MPL-M20SS	20	M20X2.50	25	18.00	50	78	46	24.50	55,240
MP-M20CSS	MPL-M20CSS	20	M20X1.50	25	18.00	50	78	46	24.50	55,240
MP-M22SS	MPL-M22SS	22	M22X1.50	28	20.00	54	84	51	25.80	57,420
MP-M25SS	MPL-M25SS	25	M24X2.00	31	22.00	60	94	57	29.60	67,140

Note: Stainless steel materials such as 304, 314 & 316 are also available to order, please enquire for further information.

MPI - SS SERIES MAINTENANCE FREE ROD ENDS WITH MALE THREAD



Materials

Housing: Stainless Steel, 303L.

Race: GR-Nylon, LV-3H.

Ball: Stainless Steel 440C.

Specification

ELV & RoHS Compliant.

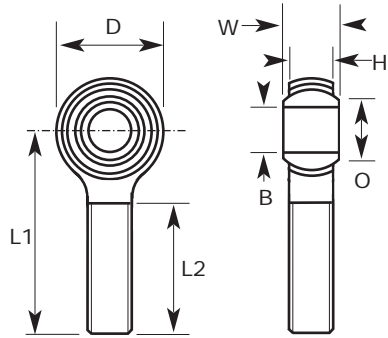


IMPERIAL

PART NO. RIGHT HAND	PART NO. LEFT HAND	BORE SIZE	THREAD	W	H	D	L1	L2	O	STATIC LOAD RATING (NEWTONS) RADIAL
MP-03SS	MPL-03SS	3/16	10-32 UNF	0.312	0.250	0.625	1.250	0.750	0.306	5,340
MP-04-3SS	MPL-04-3SS	3/16	1/4 UNF	0.375	0.281	0.750	1.562	1.000	0.354	8,450
MP-04-3FSS	MPL-04-3FSS	3/16	1/4 BSF	0.375	0.281	0.750	1.562	1.000	0.354	8,450
MP-04SS	MPL-04SS	1/4	1/4 UNF	0.375	0.281	0.750	1.562	1.000	0.354	8,450
MP-04FSS	MPL-04FSS	1/4	1/4 BSF	0.375	0.281	0.750	1.562	1.000	0.354	8,450
MP-05-4SS	MPL-05-4SS	1/4	5/16 UNF	0.437	0.344	0.875	1.875	1.250	0.447	12,010
MP-05-4FSS	MPL-05-4FSS	1/4	5/16 BSF	0.437	0.344	0.875	1.875	1.250	0.447	12,010
MP-05SS	MPL-05SS	5/16	5/16 UNF	0.437	0.344	0.875	1.875	1.250	0.447	12,010
MP-05FSS	MPL-05FSS	5/16	5/16 BSF	0.437	0.344	0.875	1.875	1.250	0.447	12,010
MP-06-5SS	MPL-06-5SS	5/16	3/8 UNF	0.500	0.406	1.000	1.938	1.250	0.516	16,900
MP-06-5FSS	MPL-06-5FSS	5/16	3/8 BSF	0.500	0.406	1.000	1.938	1.250	0.516	16,900
MP-06SS	MPL-06SS	3/8	3/8 UNF	0.500	0.406	1.000	1.938	1.250	0.516	16,900
MP-06FSS	MPL-06FSS	3/8	3/8 BSF	0.500	0.406	1.000	1.938	1.250	0.516	16,900
MP-07-6SS	MPL-07-6SS	3/8	7/16 UNF	0.562	0.437	1.125	2.125	1.375	0.586	19,750
MP-07-6FSS	MPL-07-6FSS	3/8	7/16 BSF	0.562	0.437	1.125	2.125	1.375	0.586	19,750
MP-07SS	MPL-07SS	7/16	7/16 UNF	0.562	0.437	1.125	2.125	1.375	0.586	19,750
MP-07FSS	MPL-07FSS	7/16	7/16 BSF	0.562	0.437	1.125	2.125	1.375	0.586	19,750
MP-08-7SS	MPL-08-7SS	7/16	1/2 UNF	0.652	0.500	1.312	2.438	1.500	0.700	28,900
MP-08-7FSS	MPL-08-7FSS	7/16	1/2 BSF	0.652	0.500	1.312	2.438	1.500	0.700	28,900
MP-08SS	MPL-08SS	1/2	1/2 UNF	0.652	0.500	1.312	2.438	1.500	0.700	28,900
MP-08FSS	MPL-08FSS	1/2	1/2 BSF	0.652	0.500	1.312	2.438	1.500	0.700	28,900
MP-10-8SS	MPL-10-8SS	1/2	5/8 UNF	0.750	0.562	1.500	2.625	1.625	0.811	32,000
MP-10-8FSS	MPL-10-8FSS	1/2	5/8 BSF	0.750	0.562	1.500	2.625	1.625	0.811	32,000
MP-10SS	MPL-10SS	5/8	5/8 UNF	0.750	0.562	1.500	2.625	1.625	0.811	32,000
MP-10FSS	MPL-10FSS	5/8	5/8 BSF	0.750	0.562	1.500	2.625	1.625	0.811	32,000
MP-12-10SS	MPL-12-10SS	5/8	3/4 UNF	0.875	0.687	1.875	2.875	1.750	0.978	52,400
MP-12-10FSS	MPL-12-10FSS	5/8	3/4 BSF	0.875	0.687	1.875	2.875	1.750	0.978	52,400
MP-12SS	MPL-12SS	3/4	3/4 UNF	0.875	0.687	1.875	2.875	1.750	0.978	52,400
MP-12FSS	MPL-12FSS	3/4	3/4 BSF	0.875	0.687	1.875	2.875	1.750	0.978	52,400
MP-16-12SS	MPL-16-12SS	3/4	1" UNF	1.375	1.00	2.625	4.125	2.125	1.021	65,200
MP-16-12FSS	MPL-16-12FSS	3/4	1" BSF	1.375	1.00	2.625	4.125	2.125	1.021	65,200
MP-16SS	MPL-16SS	1	1" UNF	1.375	1.00	2.625	4.125	2.125	1.021	65,200
MP-16FSS	MPL-16FSS	1	1" BSF	1.375	1.00	2.625	4.125	2.125	1.021	65,200

Note: Stainless steel materials such as 304, 314 & 316 are also available to order, please enquire for further information.

MBM - SERIES MAINTENANCE REQUIRED ROD ENDS WITH MALE THREAD



Materials

Housing: Steel 230M07PB, Zinc plated white & blue passivate (silver/clear).

Race: Bronze SAE660.

Ball: Bearing Steel 100Cr6, case hardened & electro-less Nickel plated.

Specification

ELV & RoHS Compliant.

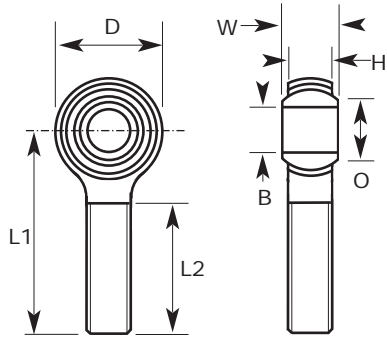


METRIC

PART NO. RIGHT HAND	PART NO. LEFT HAND	BORE SIZE	THREAD	W	H	D	L1	L2	O	STATIC LOAD RATING (NEWTONS) RADIAL
MB-M03	MBL-M03	3	M3X0.50	6	4.50	12	27	15	5.20	3,648
MB-M04-3	MBL-M04-3	3	M4X0.70	7	5.00	14	30	18	6.30	4,960
MB-M04	MBL-M04	4	M4X0.70	7	5.00	14	30	18	6.30	4,960
MB-M05-4	MBL-M05-4	4	M5X0.80	8	6.00	16	33	20	7.50	6,360
MB-M05	MBL-M05	5	M5X0.80	8	6.00	16	33	20	7.50	6,360
MB-M06-5	MBL-M06-5	5	M6X1.00	9	6.75	18	36	22	9.30	6,820
MB-M06	MBL-M06	6	M6X1.00	9	6.75	18	36	22	9.30	6,820
MB-M08-6	MBL-M08-6	6	M8X1.25	12	9.00	22	42	25	10.40	10,450
MB-M08-6C	MBL-M08-6C	6	M8X1.00	12	9.00	22	42	25	10.40	10,450
MB-M08	MBL-M08	8	M8X1.25	12	9.00	22	42	25	10.40	10,450
MB-M08C	MBL-M08C	8	M8X1.00	12	9.00	22	42	25	10.40	10,450
MB-M10-8	MBL-M10-8	8	M10X1.50	14	10.50	26	48	29	12.90	14,000
MB-M10-8C	MBL-M10-8C	8	M10X1.25	14	10.50	26	48	29	12.90	14,000
MB-M10	MBL-M10	10	M10X1.50	14	10.50	26	48	29	12.90	14,000
MB-M10C	MBL-M10C	10	M10X1.25	14	10.50	26	48	29	12.90	14,000
MB-M12-10	MBL-M12-10	10	M12X1.75	16	12.00	30	54	33	15.40	18,745
MB-M12-10C	MBL-M12-10C	10	M12X1.25	16	12.00	30	54	33	15.40	18,745
MB-M12	MBL-M12	12	M12X1.75	16	12.00	30	54	33	15.40	18,745
MB-M12C	MBL-M12C	12	M12X1.25	16	12.00	30	54	33	15.40	18,745
MB-M14-12	MBL-M14-12	12	M14X2.00	19	13.50	34	60	36	16.80	22,125
MB-M14-12C	MBL-M14-12C	12	M14X1.50	19	13.50	34	60	36	16.80	22,125
MB-M14	MBL-M14	14	M14X2.00	19	13.50	34	60	36	16.80	22,125
MB-M14C	MBL-M14C	14	M14X1.50	19	13.50	34	60	36	16.80	22,125
MB-M16-14	MBL-M16-14	14	M16X2.00	21	15.00	38	66	40	19.30	23,700
MB-M16-14C	MBL-M16-14C	14	M16X1.50	21	15.00	38	66	40	19.30	23,700
MB-M16	MBL-M16	16	M16X2.00	21	15.00	38	66	40	19.30	23,700
MB-M16C	MBL-M16C	16	M16X1.50	21	15.00	38	66	40	19.30	23,700
MB-M18-16C	MBL-M18-16C	16	M18X1.50	23	16.50	46	72	43	21.80	25,600
MB-M18C	MBL-M18C	18	M18X1.50	23	16.50	46	72	43	21.80	25,600
MB-M20-18	MBL-M20-18	18	M20X2.50	25	18.00	50	78	46	24.50	28,640
MB-M20-18C	MBL-M20-18C	18	M20X1.50	25	18.00	50	78	46	24.50	28,640
MB-M20	MBL-M20	20	M20X2.50	25	18.00	50	78	46	24.50	28,640
MB-M20C	MBL-M20C	20	M20X1.50	25	18.00	50	78	46	24.50	28,640
MB-M22	MBL-M22	22	M22X1.50	28	20.00	54	84	51	25.80	34,200
MB-M25	MBL-M25	25	M24X2.00	31	22.00	60	94	57	29.60	47,750

Note: An oil impregnated Sintered Bronze race is also available for many sizes or if quantity justifies production. This will offer extended life without the need for routine maintenance i.e. maintenance free, add suffix "SPB" to part number for example MB-M10SPB. Please enquire for availability.

MBI - SERIES MAINTENANCE REQUIRED ROD ENDS WITH MALE THREAD



Materials

Housing: Steel 230M07PB, Zinc plated white & blue passivate (silver/clear).

Race: Bronze SAE660.

Ball: Bearing Steel 100Cr6, case hardened & electro-less Nickel plated.

Specification

ELV & RoHS Compliant.

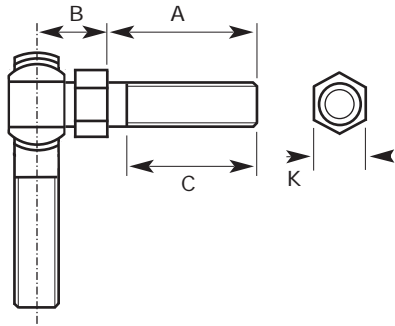


IMPERIAL

PART NO. RIGHT HAND	PART NO. LEFT HAND	BORE SIZE	THREAD	W	H	D	L1	L2	O	STATIC LOAD RATING (NEWTONS) RADIAL
MB-03	MBL-03	3/16	10-32 UNF	0.312	0.250	0.625	1.250	0.750	0.306	6,360
MB-04-3	MBL-04-3	3/16	1/4 UNF	0.375	0.281	0.750	1.562	1.000	0.354	6,820
MB-04-3F	MBL-04-3F	3/16	1/4 BSF	0.375	0.281	0.750	1.562	1.000	0.354	6,820
MB-04	MBL-04	1/4	1/4 UNF	0.375	0.281	0.750	1.562	1.000	0.354	6,820
MB-04F	MBL-04F	1/4	1/4 BSF	0.375	0.281	0.750	1.562	1.000	0.354	6,820
MB-05-4	MBL-05-4	1/4	5/16 UNF	0.437	0.344	0.875	1.875	1.250	0.447	10,450
MB-05-4F	MBL-05-4F	1/4	5/16 BSF	0.437	0.344	0.875	1.875	1.250	0.447	10,450
MB-05	MBL-05	5/16	5/16 UNF	0.437	0.344	0.875	1.875	1.250	0.447	10,450
MB-05F	MBL-05F	5/16	5/16 BSF	0.437	0.344	0.875	1.875	1.250	0.447	10,450
MB-06-5	MBL-06-5	5/16	3/8 UNF	0.500	0.406	1.000	1.938	1.250	0.516	13,640
MB-06-5F	MBL-06-5F	5/16	3/8 BSF	0.500	0.406	1.000	1.938	1.250	0.516	13,640
MB-06-5F/1	MBL-06-5F/1	5/16	3/8 BSF	0.437	0.344	1.000	1.875	1.250	0.447	13,640
MB-06-5F/2	MBL-06-5F/2	5/16	3/8 BSF	0.500	0.344	1.000	1.875	1.250	0.516	13,640
MB-06	MBL-06	3/8	3/8 UNF	0.500	0.406	1.000	1.938	1.250	0.516	13,640
MB-06F	MBL-06F	3/8	3/8 BSF	0.500	0.406	1.000	1.938	1.250	0.516	13,640
MB-07-6	MBL-07-6	3/8	7/16 UNF	0.562	0.437	1.125	2.125	1.375	0.586	16,360
MB-07-6F	MBL-07-6F	3/8	7/16 BSF	0.562	0.437	1.125	2.125	1.375	0.586	16,360
MB-07	MBL-07	7/16	7/16 UNF	0.562	0.437	1.125	2.125	1.375	0.586	16,360
MB-07F	MBL-07F	7/16	7/16 BSF	0.562	0.437	1.125	2.125	1.375	0.586	16,360
MB-08-7	MBL-08-7	7/16	1/2 UNF	0.652	0.500	1.312	2.348	1.500	0.700	19,545
MB-08-7F	MBL-08-7F	7/16	1/2 BSF	0.652	0.500	1.312	2.348	1.500	0.700	19,545
MB-08	MBL-08	1/2	1/2 UNF	0.652	0.500	1.312	2.348	1.500	0.700	19,545
MB-08F	MBL-08F	1/2	1/2 BSF	0.652	0.500	1.312	2.438	1.500	0.700	19,545
MB-10-8	MBL-10-8	1/2	5/8 UNF	0.750	0.562	1.500	2.625	1.625	0.811	22,500
MB-10-8F	MBL-10-8F	1/2	5/8 BSF	0.750	0.562	1.500	2.625	1.625	0.811	22,500
MB-10	MBL-10	5/8	5/8 UNF	0.750	0.562	1.500	2.625	1.625	0.811	22,500
MB-10F	MBL-10F	5/8	5/8 BSF	0.750	0.562	1.500	2.625	1.625	0.811	22,500
MB-12-10	MBL-12-10	5/8	3/4 UNF	0.875	0.687	1.875	2.875	1.750	0.978	28,640
MB-12-10F	MBL-12-10F	5/8	3/4 BSF	0.875	0.687	1.875	2.875	1.750	0.978	28,640
MB-12	MBL-12	3/4	3/4 UNF	0.875	0.687	1.875	2.875	1.750	0.978	28,640
MB-12F	MBL-12F	3/4	3/4 BSF	0.875	0.687	1.875	2.875	1.750	0.978	28,640
MB-16-12	MBL-16-12	3/4	1" UNF	1.375	1.00	2.625	4.125	2.125	1.021	47,500
MB-16-12F	MBL-16-12F	3/4	1" BSF	1.375	1.00	2.625	4.125	2.125	1.021	47,500
MB-16	MBL-16	1	1" UNF	1.375	1.00	2.625	4.125	2.125	1.021	47,500
MB-16F	MBL-16F	1	1" BSF	1.375	1.00	2.625	4.125	2.125	1.021	47,500

Note: An oil impregnated Sintered Bronze race is also available for many sizes or if quantity justifies production. This will offer extended life without the need for routine maintenance i.e. maintenance free, add suffix "SPB" to part number for example MB-10SPB. Please enquire for availability.

MBMS - SERIES STUDED MALE ROD ENDS



Materials

Housing: Steel 230M07PB, Zinc plated white & blue passivate (silver/clear).

Race: Bronze SAE660.

Ball: Bearing Steel 100Cr6, case hardened & electro-less Nickel plated.

Stud: Steel 230M07PB, Zinc plated white & blue passivate (silver/clear).

Specification

ELV & RoHS Compliant.



METRIC

STUD SIZE	PART NO. RIGHT HAND	PART NO. LEFT HAND	THREAD	A	B	C	K	STATIC LOAD RATING (NEWTONS) RADIAL
M5	MB-M05S	MBL-M05S	M5X0.80	10	10	8	9	1,200
M5	MB-M06-5S	MBL-M06-5S	M6X1.00	12	12	10	10	1,200
M6	MB-M06S	MBL-M06S	M6X1.00	12	12	10	10	2,500
M6	MB-M08-6S	MBL-M08-6S	M8X1.25	16	16	14	13	2,500
M8	MB-M08S	MBL-M08S	M8X1.25	16	16	14	13	6,890
M8	MB-M10-8S	MBL-M10-8S	M10X1.50	20	20	18	17	6,890
M10	MB-M10S	MBL-M10S	M10X1.50	20	20	18	17	14,200
M10	MB-M12-10S	MBL-M12-10S	M12X1.75	24	24	21	19	14,200
M12	MB-M12S	MBL-M12S	M12X1.75	24	24	21	19	22,000
M12	MB-M14-12S	MBL-M14-12S	M14X2.00	28	28	25	22	22,000
M14	MB-M14S	MBL-M14S	M14X2.00	28	28	25	22	29,000
M14	MB-M16-14S	MBL-M16-14S	M16X2.00	32	32	29	24	29,000
M16	MB-M16S	MBL-M16S	M16X2.00	32	32	29	24	34,000

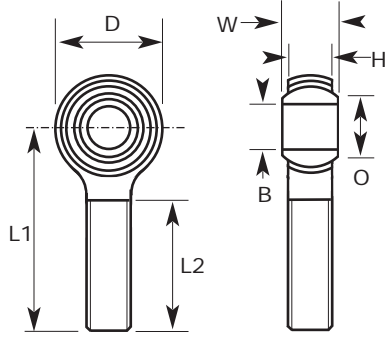
MBIS - SERIES STUDED MALE ROD ENDS

IMPERIAL

STUD SIZE	PART NO. RIGHT HAND	PART NO. LEFT HAND	HOUSING THREAD	A	B	C	K	STATIC LOAD RATING (NEWTONS) RADIAL
10-32 UNF	MB-03S	MBL-03S	10-32 UNF	0.500	0.516	0.437	0.312	1,200
10-32 UNF	MB-04-3S	MBL-04-3S	1/4 UNF	0.562	0.485	0.500	0.375	1,200
1/4 UNF	MB-04S	MBL-04S	1/4 UNF	0.562	0.485	0.500	0.375	2,970
1/4 UNF	MB-05-4S	MBL-05-4S	5/16 UNF	0.687	0.547	0.594	0.437	2,970
5/16 UNF	MB-05S	MBL-05S	5/16 UNF	0.687	0.547	0.594	0.437	6,880
5/16 UNF	MB-06-5S	MBL-06-5S	3/8 UNF	0.906	0.562	0.812	0.500	6,880
3/8 UNF	MB-06S	MBL-06S	3/8 UNF	0.906	0.562	0.812	0.500	12,830
3/8 UNF	MB-07-6S	MBL-07-6S	7/16 UNF	1.125	0.843	1.000	0.625	12,830
7/16 UNF	MB-07S	MBL-07S	7/16 UNF	1.125	0.843	1.000	0.625	20,690
7/16 UNF	MB-08-7S	MBL-08-7S	1/2 UNF	1.125	0.875	1.000	0.625	20,690
1/2 UNF	MB-08S	MBL-08S	1/2 UNF	1.125	0.875	1.000	0.625	24,820
1/2 UNF	MB-10-8S	MBL-10-8S	5/8 UNF	1.125	1.000	1.000	0.750	24,820
5/8 UNF	MB-10S	MBL-10S	5/8 UNF	1.125	1.000	1.000	0.750	33,880

B.S.F. threads are available from size MB-04S, (MBL-04S), and above by adding suffix "F" to the part number e.g. MB-08FS, (MBL-08FS). Stainless Steel, Grade 303L, Rod Ends are available by adding suffix "SS" to the part number e.g. MB-M10S-SS, (MBL-M10S-SS).

MBM - SS SERIES MAINTENANCE REQUIRED ROD ENDS WITH MALE THREAD



Materials

Housing: Stainless Steel, 303L.

Race: Bronze SAE660.

Ball: Stainless Steel 440C.

Specification

ELV & RoHS Compliant.

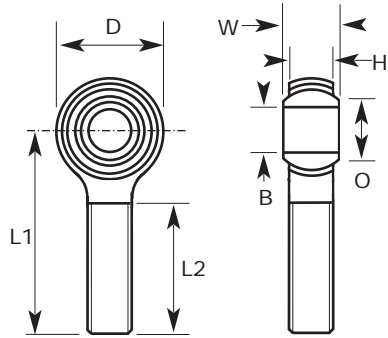


METRIC

PART NO. RIGHT HAND	PART NO. LEFT HAND	BORE SIZE	THREAD	W	H	D	L1	L2	O	STATIC LOAD RATING (NEWTONS) RADIAL
MB-M03SS	MBL-M03SS	3	M3X0.50	6	4.50	12	27	15	5.20	3,648
MB-M04-3SS	MBL-M04-3SS	3	M4X0.70	7	5.00	14	30	18	6.30	4,960
MB-M04SS	MBL-M04SS	4	M4X0.70	7	5.00	14	30	18	6.30	4,960
MB-M05-4SS	MBL-M05-4SS	4	M5X0.80	8	6.00	16	33	20	7.50	6,360
MB-M05SS	MBL-M05SS	5	M5X0.80	8	6.00	16	33	20	7.50	6,360
MB-M06-5SS	MBL-M06-5SS	5	M6X1.00	9	6.75	18	36	22	9.30	6,820
MB-M06SS	MBL-M06SS	6	M6X1.00	9	6.75	18	36	22	9.30	6,820
MB-M08-6SS	MBL-M08-6SS	6	M8X1.25	12	9.00	22	42	25	10.40	10,450
MB-M08-6CSS	MBL-M08-6CSS	6	M8X1.00	12	9.00	22	42	25	10.40	10,450
MB-M08SS	MBL-M08SS	8	M8X1.25	12	9.00	22	42	25	10.40	10,450
MB-M08CSS	MBL-M08CSS	8	M8X1.00	12	9.00	22	42	25	10.40	10,450
MB-M10-8SS	MBL-M10-8SS	8	M10X1.50	14	10.50	26	48	29	12.90	14,000
MB-M10-8CSS	MBL-M10-8CSS	8	M10X1.25	14	10.50	26	48	29	12.90	14,000
MB-M10SS	MBL-M10SS	10	M10X1.50	14	10.50	26	48	29	12.90	14,000
MB-M10CSS	MBL-M10CSS	10	M10X1.25	14	10.50	26	48	29	12.90	14,000
MB-M12-10SS	MBL-M12-10SS	10	M12X1.75	16	12.00	30	54	33	15.40	18,745
MB-M12-10CSS	MBL-M12-10CSS	10	M12X1.25	16	12.00	30	54	33	15.40	18,745
MB-M12SS	MBL-M12SS	12	M12X1.75	16	12.00	30	54	33	15.40	18,745
MB-M12CSS	MBL-M12CSS	12	M12X1.25	16	12.00	30	54	33	15.40	18,745
MB-M14-12SS	MBL-M14-12SS	12	M14X2.00	19	13.50	34	60	36	16.80	22,125
MB-M14-12CSS	MBL-M14-12CSS	12	M14X1.50	19	13.50	34	60	36	16.80	22,125
MB-M14SS	MBL-M14SS	14	M14X2.00	19	13.50	34	60	36	16.80	22,125
MB-M14CSS	MBL-M14CSS	14	M14X1.50	19	13.50	34	60	36	16.80	22,125
MB-M16-14SS	MBL-M16-14SS	14	M16X2.00	21	15.00	38	66	40	19.30	23,700
MB-M16-14CSS	MBL-M16-14CSS	14	M16X1.50	21	15.00	38	66	40	19.30	23,700
MB-M16SS	MBL-M16SS	16	M16X2.00	21	15.00	38	66	40	19.30	23,700
MB-M16CSS	MBL-M16CSS	16	M16X1.50	21	15.00	38	66	40	19.30	23,700
MB-M18-16CSS	MBL-M18-16CSS	16	M18X1.50	23	16.50	46	72	43	21.80	25,600
MB-M18CSS	MBL-M18CSS	18	M18X1.50	23	16.50	46	72	43	21.80	25,600
MB-M20-18SS	MBL-M20-18SS	18	M20X2.50	25	18.00	50	78	46	24.50	28,640
MB-M20-18CSS	MBL-M20-18CSS	18	M20X1.50	25	18.00	50	78	46	24.50	28,640
MB-M20SS	MBL-M20SS	20	M20X2.50	25	18.00	50	78	46	24.50	28,640
MB-M20CSS	MBL-M20CSS	20	M20X1.50	25	18.00	50	78	46	24.50	28,640
MB-M22SS	MBL-M22SS	22	M22X1.50	28	20.00	54	84	51	25.80	34,200
MB-M25SS	MBL-M25SS	25	M24X2.00	31	22.00	60	94	57	29.60	47,750

Note: An oil impregnated Sintered Bronze race is also available for many sizes or if quantity justifies production. This will offer extended life without the need for routine maintenance i.e. maintenance free, add suffix "SPB" to part number for example MB-M10SS-SPB. Please enquire for availability. Stainless steel materials such as 304, 314 & 316 are also available to order, please enquire for further information.

MBI - SS SERIES MAINTENANCE REQUIRED ROD ENDS WITH MALE THREAD



Materials

Housing: Stainless Steel, 303L.

Race: Bronze SAE660.

Ball: Stainless Steel 440C.

Specification

ELV & RoHS Compliant.



IMPERIAL

PART NO. RIGHT HAND	PART NO. LEFT HAND	BORE SIZE	THREAD	W	H	D	L1	L2	O	STATIC LOAD RATING (NEWTONS) RADIAL
MB-03SS	MBL-03SS	3/16	10-32 UNF	0.312	0.250	0.625	1.250	0.750	0.306	6,360
MB-04-3SS	MBL-04-3SS	3/16	1/4 UNF	0.375	0.281	0.750	1.562	1.000	0.354	6,820
MB-04-3FSS	MBL-04-3FSS	3/16	1/4 BSF	0.375	0.281	0.750	1.562	1.000	0.354	6,820
MB-04SS	MBL-04SS	1/4	1/4 UNF	0.375	0.281	0.750	1.562	1.000	0.354	6,820
MB-04FSS	MBL-04FSS	1/4	1/4 BSF	0.375	0.281	0.750	1.562	1.000	0.354	6,820
MB-05-4SS	MBL-05-4SS	1/4	5/16 UNF	0.437	0.344	0.875	1.875	1.250	0.447	10,450
MB-05-4FSS	MBL-05-4FSS	1/4	5/16 BSF	0.437	0.344	0.875	1.875	1.250	0.447	10,450
MB-05SS	MBL-05SS	5/16	5/16 UNF	0.437	0.344	0.875	1.875	1.250	0.447	10,450
MB-05FSS	MBL-05FSS	5/16	5/16 BSF	0.437	0.344	0.875	1.875	1.250	0.447	10,450
MB-06-5SS	MBL-06-5SS	5/16	3/8 UNF	0.500	0.406	1.000	1.938	1.250	0.516	13,640
MB-06-5FSS	MBL-06-5FSS	5/16	3/8 BSF	0.500	0.406	1.000	1.938	1.250	0.516	13,640
MB-06SS	MBL-06SS	3/8	3/8 UNF	0.500	0.406	1.000	1.938	1.250	0.516	13,640
MB-06FSS	MBL-06FSS	3/8	3/8 BSF	0.500	0.406	1.000	1.938	1.250	0.516	13,640
MB-07-6SS	MBL-07-6SS	3/8	7/16 UNF	0.562	0.437	1.125	2.125	1.375	0.586	16,360
MB-07-6FSS	MBL-07-6FSS	3/8	7/16 BSF	0.562	0.437	1.125	2.125	1.375	0.586	16,360
MB-07SS	MBL-07SS	7/16	7/16 UNF	0.562	0.437	1.125	2.125	1.375	0.586	16,360
MB-07FSS	MBL-07FSS	7/16	7/16 BSF	0.562	0.437	1.125	2.125	1.375	0.586	16,360
MB-08-7SS	MBL-08-7SS	7/16	1/2 UNF	0.652	0.500	1.312	2.438	1.500	0.700	19,545
MB-08-7FSS	MBL-08-7FSS	7/16	1/2 BSF	0.652	0.500	1.312	2.438	1.500	0.700	19,545
MB-08SS	MBL-08SS	1/2	1/2 UNF	0.652	0.500	1.312	2.438	1.500	0.700	19,545
MB-08FSS	MBL-08FSS	1/2	1/2 BSF	0.652	0.500	1.312	2.438	1.500	0.700	19,545
MB-10-8SS	MBL-10-8SS	1/2	5/8 UNF	0.750	0.562	1.500	2.625	1.625	0.811	22,500
MB-10-8FSS	MBL-10-8FSS	1/2	5/8 BSF	0.750	0.562	1.500	2.625	1.625	0.811	22,500
MB-10SS	MBL-10SS	5/8	5/8 UNF	0.750	0.562	1.500	2.625	1.625	0.811	22,500
MB-10FSS	MBL-10FSS	5/8	5/8 BSF	0.750	0.562	1.500	2.625	1.625	0.811	22,500
MB-12-10SS	MBL-12-10SS	5/8	3/4 UNF	0.875	0.687	1.875	2.875	1.750	0.978	28,640
MB-12-10FSS	MBL-12-10FSS	5/8	3/4 BSF	0.875	0.687	1.875	2.875	1.750	0.978	28,640
MB-12SS	MBL-12SS	3/4	3/4 UNF	0.875	0.687	1.875	2.875	1.750	0.978	28,640
MB-12FSS	MBL-12FSS	3/4	3/4 BSF	0.875	0.687	1.875	2.875	1.750	0.978	28,640
MB-16-12SS	MBL-16-12SS	3/4	1" UNF	1.375	1.00	2.625	4.125	2.125	1.021	47,500
MB-16-12FSS	MBL-16-12FSS	3/4	1" BSF	1.375	1.00	2.625	4.125	2.125	1.021	47,500
MB-16SS	MBL-16SS	1	1" UNF	1.375	1.00	2.625	4.125	2.125	1.021	47,500
MB-16FSS	MBL-16FSS	1	1" BSF	1.375	1.00	2.625	4.125	2.125	1.021	47,500

Note: An oil impregnated Sintered Bronze race is also available for many sizes or if quantity justifies production. This will offer extended life without the need for routine maintenance i.e. maintenance free, add suffix "SPB" to part number for example MB-08SS-SPB. Please enquire for availability. Stainless steel materials such as 304, 314 & 316 are also available to order, please enquire for further information.

MSM - SERIES MAINTENANCE FREE

ROD ENDS WITH MALE THREAD

Materials

Housing: Forged Steel 080M46, Zinc plated white & blue passivate (silver/clear).

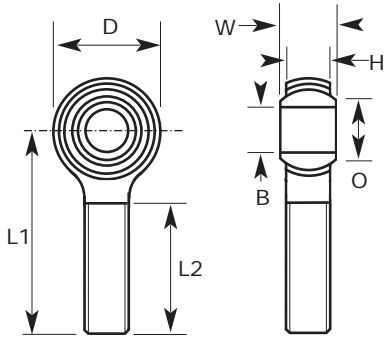
Inner Ring: Steel 080M46.

Ball: Bearing Steel 100Cr6, case hardened & electro-less Nickel plated.

Liner: PTFE fabric.

Specification

ELV & RoHS Compliant.



METRIC

PART NO. RIGHT HAND	PART NO. LEFT HAND	BORE SIZE	THREAD	W	H	D	L1	L2	O	STATIC LOAD RATING (NEWTONS) RADIAL
MS-M05	MSL-M05	5	M5X0.80	8	6.00	18	33	19	7.50	3,250
MS-M06	MSL-M06	6	M6X1.00	9	6.75	20	36	21	9.30	4,300
MS-M08	MSL-M08	8	M8X1.25	12	9.00	24	42	25	10.40	7,200
MS-M10	MSL-M10	10	M10X1.50	14	10.50	28	48	28	12.90	10,000
MS-M12	MSL-M12	12	M12X1.75	16	12.00	32	54	32	15.40	13,400
MS-M14	MSL-M14	14	M14X2.00	19	13.50	36	60	36	16.80	17,000
MS-M16	MSL-M16	16	M16X2.00	21	15.00	40	66	37	19.30	21,600
MS-M18C	MSL-M18C	18	M18X1.50	23	16.50	44	72	41	21.80	26,000
MS-M20C	MSL-M20C	20	M20X1.50	25	18.00	48	78	45	24.50	31,500
MS-M22	MSL-M22	22	M22X1.50	28	20.00	54	84	48	25.80	38,000
MS-M25	MSL-M25	25	M24X2.00	31	22.00	60	94	55	29.60	47,500

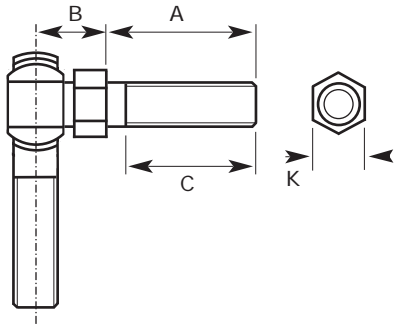
MSI - SERIES MAINTENANCE FREE

ROD ENDS WITH MALE THREAD

IMPERIAL

PART NO. RIGHT HAND	PART NO. LEFT HAND	BORE SIZE	THREAD	W	H	D	L1	L2	O	STATIC LOAD RATING (NEWTONS) RADIAL
MS-03	MSL-03	3/16	10-32 UNF	0.312	0.250	0.625	1.250	0.750	7.50	3,250
MS-04	MSL-04	1/4	1/4 UNF	0.375	0.281	0.750	1.562	1.000	9.30	4,300
MS-05	MSL-05	5/16	5/16 UNF	0.437	0.344	0.875	1.875	1.250	10.40	7,200
MS-06	MSL-06	3/8	3/8 UNF	0.500	0.406	1.000	1.938	1.250	12.90	10,000
MS-07	MSL-07	7/16	7/16 UNF	0.562	0.437	1.125	2.125	1.375	15.40	13,400
MS-08	MSL-08	1/2	1/2 UNF	0.625	0.500	1.312	2.438	1.500	16.80	17,000
MS-10	MSL-10	5/8	5/8 UNF	0.750	0.562	1.500	2.625	1.625	19.30	21,600
MS-12	MSL-12	3/4	3/4 UNF	0.875	0.687	1.750	2.875	1.750	21.80	31,500

MSMS - SERIES STUDED MALE ROD ENDS



Materials

Housing: Forged Steel 080M46, Zinc plated white & blue passivate (silver/clear).

Inner Ring: Steel 080M46.

Ball: Bearing Steel 100Cr6, case hardened & electro-less Nickel plated.

Liner: PTFE fabric.

Stud: Steel 230M07PB, Zinc plated white & blue passivate (silver/clear).

Specification

ELV & RoHS Compliant.



METRIC

STUD SIZE	PART NO. RIGHT HAND	PART NO. LEFT HAND	THREAD	A	B	C	K	STATIC LOAD RATING (NEWTONS) RADIAL
M5	MS-M05S	MSL-M05S	M5X0.80	10	10	8	9	1,200
M5	MS-M06-5S	MSL-M06-5S	M6X1.00	12	12	10	10	1,200
M6	MS-M06S	MSL-M06S	M6X1.00	12	12	10	10	2,500
M6	MS-M08-6S	MSL-M08-6S	M8X1.25	16	16	14	13	2,500
M8	MS-M08S	MSL-M08S	M8X1.25	16	16	14	13	6,890
M8	MS-M10-8S	MSL-M10-8S	M10X1.50	20	20	18	17	6,890
M10	MS-M10S	MSL-M10S	M10X1.50	20	20	18	17	14,200
M10	MS-M12-10S	MSL-M12-10S	M12X1.75	24	24	21	19	14,200
M12	MS-M12S	MSL-M12S	M12X1.75	24	24	21	19	22,000
M12	MS-M14-12S	MSL-M14-12S	M14X2.00	28	28	25	22	22,000
M14	MS-M14S	MSL-M14S	M14X2.00	28	28	25	22	29,000
M14	MS-M16-14S	MSL-M16-14S	M16X2.00	32	32	29	24	29,000
M16	MS-M16S	MSL-M16S	M16X2.00	32	32	29	24	34,000

MSIS - SERIES STUDED MALE ROD ENDS

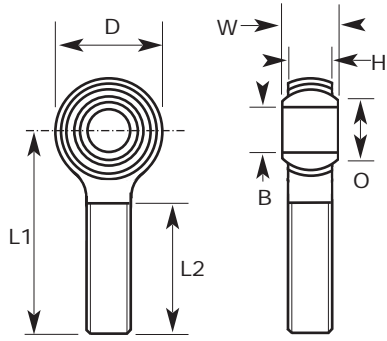
IMPERIAL

STUD SIZE	PART NO. RIGHT HAND	PART NO. LEFT HAND	HOUSING THREAD	A	B	C	K	STATIC LOAD RATING (NEWTONS) RADIAL
10-32 UNF	MS-03S	MSL-03S	10-32 UNF	0.500	0.516	0.437	0.312	1,200
10-32 UNF	MS-04-3S	MSL-04-3S	1/4 UNF	0.562	0.485	0.500	0.375	1,200
1/4 UNF	MS-04S	MSL-04S	1/4 UNF	0.562	0.485	0.500	0.375	2,970
1/4 UNF	MS-05-4S	MSL-05-4S	5/16 UNF	0.687	0.547	0.594	0.437	2,970
5/16 UNF	MS-05S	MSL-05S	5/16 UNF	0.687	0.547	0.594	0.437	6,880
5/16 UNF	MS-06-5S	MSL-06-5S	3/8 UNF	0.906	0.562	0.812	0.500	6,880
3/8 UNF	MS-06S	MSL-06S	3/8 UNF	0.906	0.562	0.812	0.500	12,830
3/8 UNF	MS-07-6S	MSL-07-6S	7/16 UNF	1.125	0.843	1.000	0.625	12,830
7/16 UNF	MS-07S	MSL-07S	7/16 UNF	1.125	0.843	1.000	0.625	20,690
7/16 UNF	MS-08-7S	MSL-08-7S	1/2 UNF	1.125	0.875	1.000	0.625	20,690
1/2 UNF	MS-08S	MSL-08S	1/2 UNF	1.125	0.875	1.000	0.625	24,820
1/2 UNF	MS-10-8S	MSL-10-8S	5/8 UNF	1.125	1.000	1.000	0.750	24,820
5/8 UNF	MS-10S	MSL-10S	5/8 UNF	1.125	1.000	1.000	0.750	33,880

MSM -SS SERIES

MAINTENANCE FREE

ROD ENDS WITH MALE THREAD



Materials

Housing: Forged Stainless Steel 304C.

Inner Ring: Stainless Steel 304C.

Ball: Stainless Steel 440C.

Liner: PTFE fabric.

Specification

ELV & RoHS Compliant.



METRIC

PART NO. RIGHT HAND	PART NO. LEFT HAND	BORE SIZE	THREAD	W	H	D	L1	L2	O	STATIC LOAD RATING (NEWTONS) RADIAL
MS-M05-SS	MSL-M05-SS	5	M5X0.80	8	6.00	18	33	19	7.50	3,250
MS-M06-SS	MSL-M06-SS	6	M6X1.00	9	6.75	20	36	21	9.30	4,300
MS-M08-SS	MSL-M08-SS	8	M8X1.25	12	9.00	24	42	25	10.40	7,200
MS-M10-SS	MSL-M10-SS	10	M10X1.50	14	10.50	28	48	28	12.90	10,000
MS-M12-SS	MSL-M12-SS	12	M12X1.75	16	12.00	32	54	32	15.40	13,400
MS-M14-SS	MSL-M14-SS	14	M14X2.00	19	13.50	36	60	36	16.80	17,000
MS-M16-SS	MSL-M16-SS	16	M16X2.00	21	15.00	40	66	37	19.30	21,600
MS-M18-CSS	MSL-M18-CSS	18	M18X1.50	23	16.50	44	72	41	21.80	26,000
MS-M20-CSS	MSL-M20-CSS	20	M20X1.50	25	18.00	48	78	45	24.50	31,500
MS-M22-SS	MSL-M22-SS	22	M22X1.50	28	20.00	54	84	48	25.80	38,000
MS-M25-SS	MSL-M25-SS	25	M24X2.00	31	22.00	60	94	55	29.60	47,500

MSI - SS SERIES

MAINTENANCE FREE

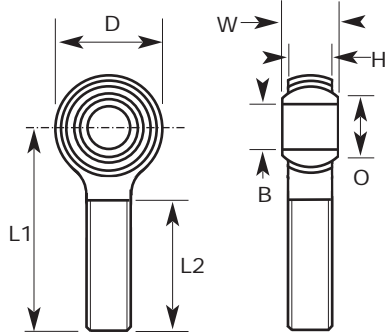
ROD ENDS WITH MALE THREAD

IMPERIAL

PART NO. RIGHT HAND	PART NO. LEFT HAND	BORE SIZE	THREAD	W	H	D	L1	L2	O	STATIC LOAD RATING (NEWTONS) RADIAL
MS-03-SS	MSL-03-SS	3/16	10-32 UNF	0.312	0.250	0.625	1.250	0.750	7.50	3,250
MS-04-SS	MSL-04-SS	1/4	1/4 UNF	0.375	0.281	0.750	1.562	1.000	9.30	4,300
MS-05-SS	MSL-05-SS	5/16	5/16 UNF	0.437	0.344	0.875	1.875	1.250	10.40	7,200
MS-06-SS	MSL-06-SS	3/8	3/8 UNF	0.500	0.406	1.000	1.938	1.250	12.90	10,000
MS-07-SS	MSL-07-SS	7/16	7/16 UNF	0.562	0.437	1.125	2.125	1.375	15.40	13,400
MS-08-SS	MSL-08-SS	1/2	1/2 UNF	0.625	0.500	1.312	2.438	1.500	16.80	17,000
MS-10-SS	MSL-10-SS	5/8	5/8 UNF	0.750	0.562	1.500	2.625	1.625	19.30	21,600
MS-12-SS	MSL-12-SS	3/4	3/4 UNF	0.875	0.687	1.750	2.875	1.750	21.80	31,500

HMM - SERIES MAINTENANCE FREE

ROD ENDS WITH MALE THREAD



Materials

Housing: Steel 230M07PB, Zinc plated white & blue passivate (silver/clear).

Race: Polyurethane.

Ball: 230M07PB Nitrotec Finish.

Lubricant: Uniflor Oil.

Specification

ELV & RoHS Compliant.

**Internationally
Patented Design.**



METRIC

PART NO. RIGHT HAND	PART NO. LEFT HAND	BORE SIZE	THREAD	W	H	D	L1	L2	O	STATIC LOAD RATING (NEWTONS) RADIAL
HMM6	HMM6LH	6	M6X1.00	9	6.75	20	36	21	8.90	7,806
HMM8	HMM8LH	8	M8X1.25	12	9.00	24	42	25	10.40	13,652
HMM8C	HMM8CLH	8	M8X1.00	12	9.00	24	42	25	10.40	13,652
HMM10	HMM10LH	10	M10X1.50	14	10.50	28	48	28	12.90	18,690
HMM10C	HMM10CLH	10	M10X1.25	14	10.50	28	48	28	12.90	18,690
HMM12	HMM12LH	12	M12X1.75	16	12.00	32	62	37	15.94	24,555
HMM12C	HMM12CLH	12	M12X1.25	16	12.00	32	62	37	15.94	24,555

HIM - SERIES MAINTENANCE FREE

ROD ENDS WITH MALE THREAD

IMPERIAL

PART NO. RIGHT HAND	PART NO. LEFT HAND	BORE SIZE	THREAD	W	H	D	L1	L2	O	STATIC LOAD RATING (NEWTONS) RADIAL
HIM250	HIM250LH	1/4	1/4 UNF	0.354	0.268	0.787	1.417	0.827	0.350	7,806
HIM250F	HIM250FLH	1/4	1/4 BSF	0.354	0.268	0.787	1.417	0.827	0.350	7,806
HIM250/1	HIM250/1LH	6.35-6.41	1/4 UNF	0.354	0.268	0.787	1.417	0.827	0.350	7,806
HIM250/1F	HIM250/1FLH	6.35-6.41	1/4 BSF	0.354	0.268	0.787	1.417	0.827	0.350	7,806
HIM312	HIM312LH	5/16	5/16 UNF	0.474	0.354	0.937	1.654	0.984	0.406	13,652
HIM312F	HIM312FLH	5/16	5/16 BSF	0.474	0.354	0.937	1.654	0.984	0.406	13,652
HIM375	HIM375LH	3/8	3/8 UNF	0.551	0.413	1.602	1.890	1.102	0.508	18,690
HIM375F	HIM375FLH	3/8	3/8 BSF	0.551	0.413	1.602	1.890	1.102	0.508	18,690
HIM437	HIM437LH	7/16	7/16 UNF	0.559	0.437	1.200	2.118	1.323	0.585	21,212
HIM437F	HIM437FLH	7/16	7/16 BSF	0.559	0.437	1.200	2.118	1.323	0.585	21,212
HIM500	HIM500LH	1/2	1/2 UNF	0.630	0.472	1.250	2.440	1.456	0.610	24,555
HIM500F	HIM500FLH	1/2	1/2 BSF	0.630	0.472	1.250	2.440	1.456	0.610	24,555

HMMS - SERIES MAINTENANCE FREE

ROD ENDS WITH MALE THREAD

Materials

Housing: Steel 230M07PB, Zinc plated white & blue passivate (silver/clear).

Race: Polyurethane.

Ball: 230M07PB Nitrotec Finish.

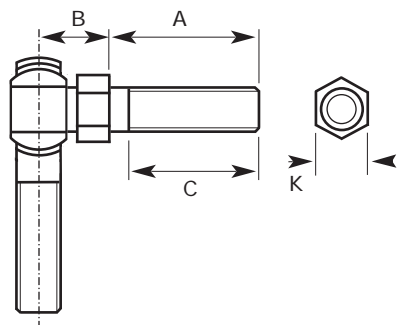
Stud: Steel 230M07PB, Zinc plated white & blue passivate (silver/clear).

Lubricant: Uniflor Oil.

Specification

ELV & RoHS Compliant.

**Internationally
Patented Design.**



METRIC

STUD SIZE	PART NO. RIGHT HAND	PART NO. LEFT HAND	THREAD	A	B	C	K	STATIC LOAD RATING (NEWTONS) RADIAL
M6	HMMS6	HMMS6LH	M6X1.00	12.5	11.0	10.5	8	4,500
M8	HMMS8	HMMS8LH	M8X1.25	16.5	13.0	14.5	11	6,000
M10	HMMS10	HMMS10LH	M10X1.50	20.0	16.0	18.0	13	7,500
M10	HMMS10C	HMMS10CLH	M10X1.25	20.0	16.0	18.0	13	7,500
M12	HMMS12	HMMS12LH	M12X1.75	20.0	13.0	18.0	16	8,350
M12	HMMS12C	HMMS12CLH	M12X1.25	20.0	13.0	18.0	16	8,350

IMPERIAL

HIMS - SERIES MAINTENANCE FREE

ROD ENDS WITH MALE THREAD

STUD SIZE	PART NO. RIGHT HAND	PART NO. LEFT HAND	THREAD	A	B	C	K	STATIC LOAD RATING (NEWTONS) RADIAL
1/4	HIMS250	HIMS250LH	1/4 UNF	0.492	0.458	0.412	9/32	4,500
1/4	HIMS250F	HIMS250FLH	1/4 BSF	0.492	0.458	0.412	9/32	4,500
5/16	HIMS312	HIMS312LH	5/16 UNF	0.650	0.512	0.570	7/16	6,000
5/16	HIMS312F	HIMS312FLH	5/16 BSF	0.650	0.512	0.570	7/16	6,000
3/8	HIMS375	HIMS375LH	3/8 UNF	0.787	0.630	0.707	1/2	7,500
3/8	HIMS375F	HIMS375FLH	3/8 BSF	0.787	0.630	0.707	1/2	7,500
7/16	HIMS437	HIMS437LH	7/16 UNF	0.945	0.750	0.865	1/2	8,350
7/16	HIMS437F	HIMS437FLH	7/16 BSF	0.945	0.750	0.865	1/2	8,350
1/2	HIMS500	HIMS500LH	1/2 UNF	1.100	0.866	0.945	9/16	9,000
1/2	HIMS500F	HIMS500FLH	1/2 BSF	1.100	0.866	0.945	9/16	9,000

HMMSS - SERIES SOLID STUD

ROD ENDS WITH MALE THREAD

Materials

Housing: Steel 230M07PB, Zinc plated white & blue passivate (silver/clear).

Race: Polyurethane.

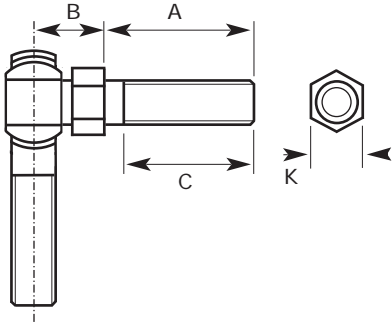
Ball & Stud: 230M07PB Nitrotec Finish.

Lubricant: Uniflor Oil.

Specification

ELV & RoHS Compliant.

**Internationally
Patented Design.**



METRIC

STUD SIZE	PART NO. RIGHT HAND	PART NO. LEFT HAND	THREAD	A	B	C	K	STATIC LOAD RATING (NEWTONS) RADIAL
M6	HMMSS6	HMMSS6LH	M6X1.00	12.5	11.0	10.5	8	4,500
M8	HMMSS8	HMMSS8LH	M8X1.25	16.5	13.0	14.5	11	6,000
M10	HMMSS10	HMMSS10LH	M10X1.50	20.0	16.0	18.0	13	7,500
M10	HMMSS10C	HMMSS10CLH	M10X1.25	20.0	16.0	18.0	13	7,500
M12	HMMSS12	HMMSS12LH	M12X1.75	20.0	13.0	18.0	16	8,350
M12	HMMSS12C	HMMSS12CLH	M12X1.25	20.0	13.0	18.0	16	8,350

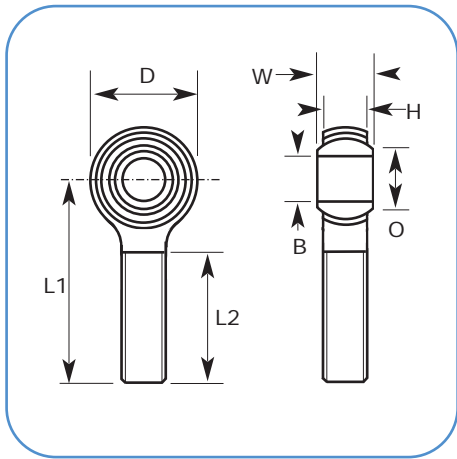
HIMSS - SERIES SOLID STUD

ROD ENDS WITH MALE THREAD

IMPERIAL

STUD SIZE	PART NO. RIGHT HAND	PART NO. LEFT HAND	THREAD	A	B	C	K	STATIC LOAD RATING (NEWTONS) RADIAL
1/4	HIMSS250	HIMSS250LH	1/4 UNF	0.492	0.458	0.412	9/32	4,500
1/4	HIMSS250F	HIMSS250FLH	1/4 BSF	0.492	0.458	0.412	9/32	4,500
5/16	HIMSS312	HIMSS312LH	5/16 UNF	0.650	0.512	0.570	7/16	6,000
5/16	HIMSS312F	HIMSS312FLH	5/16 BSF	0.650	0.512	0.570	7/16	6,000
3/8	HIMSS375	HIMSS375LH	3/8 UNF	0.787	0.630	0.707	1/2	7,500
3/8	HIMSS375F	HIMSS375FLH	3/8 BSF	0.787	0.630	0.707	1/2	7,500
7/16	HIMSS437	HIMSS437LH	7/16 UNF	0.945	0.750	0.865	1/2	8,350
7/16	HIMSS437F	HIMSS437FLH	7/16 BSF	0.945	0.750	0.865	1/2	8,350
1/2	HIMSS500	HIMSS500LH	1/2 UNF	1.100	0.866	0.945	9/16	9,000
1/2	HIMSS500F	HIMSS500FLH	1/2 BSF	1.100	0.866	0.945	9/16	9,000

Note: The HMMSS - Series & HIMSS - Series, are our Anti-vibration Studded Rod End range that incorporates a one piece ball stud.



HMM-SS SERIES MAINTENANCE FREE ROD ENDS WITH MALE THREAD

Materials

Housing: Stainless Steel, 303L.
Race: Polyurethane.
Ball: Stainless Steel, 404C.
Lubricant: Uniflor Oil.

Specification

ELV & RoHS Compliant.

**Internationally
Patented Design.**



METRIC

PART NO. RIGHT HAND	PART NO. LEFT HAND	BORE SIZE	THREAD	W	H	D	L1	L2	O	STATIC LOAD RATING (NEWTONS) RADIAL
HMM6SS	HMM6LHSS	6	M6X1.00	9	6.75	20	36	21	8.90	7,806
HMM8SS	HMM8LHSS	8	M8X1.25	12	9.00	24	42	25	10.40	13,652
HMM8CSS	HMM8CLHSS	8	M8X1.00	12	9.00	24	42	25	10.40	13,652
HMM10SS	HMM10LHSS	10	M10X1.50	14	10.50	28	48	28	12.90	18,690
HMM10CSS	HMM10CLHSS	10	M10X1.25	14	10.50	28	48	28	12.90	18,690
HMM12SS	HMM12LHSS	12	M12X1.75	16	12.00	32	62	37	15.40	24,555
HMM12CSS	HMM12CLHSS	12	M12X1.25	16	12.00	32	62	37	15.40	24,555

IMPERIAL

HIM-SS SERIES MAINTENANCE FREE ROD ENDS WITH MALE THREAD

PART NO. RIGHT HAND	PART NO. LEFT HAND	BORE SIZE	THREAD	W	H	D	L1	L2	O	STATIC LOAD RATING (NEWTONS) RADIAL
HIM250SS	HIM250LHSS	1/4	1/4 UNF	0.354	0.268	0.787	1.417	0.827	0.350	7,806
HIM250FSS	HIM250FLHSS	1/4	1/4 BSF	0.354	0.268	0.787	1.417	0.827	0.350	7,806
HIM250/1SS	HIM250/1LHSS	1/4	1/4 UNF	0.354	0.268	0.787	1.417	0.827	0.350	7,806
HIM250/1FSS	HIM250/1FLHSS	1/4	1/4 BSF	0.354	0.268	0.787	1.417	0.827	0.350	7,806
HIM312SS	HIM312LHSS	5/16	5/16 UNF	0.474	0.354	0.937	1.654	0.984	0.406	13,652
HIM312FSS	HIM312FLHSS	5/16	5/16 BSF	0.474	0.354	0.937	1.654	0.984	0.406	13,652
HIM375SS	HIM375LHSS	3/8	3/8 UNF	0.551	0.413	1.602	1.890	1.102	0.508	18,650
HIM375FSS	HIM375FLHSS	3/8	3/8 BSF	0.551	0.413	1.602	1.890	1.102	0.508	18,650
HIM437SS	HIM437LHSS	7/16	7/16 UNF	0.559	0.437	1.200	2.118	1.323	0.585	21,212
HIM437FSS	HIM437FLHSS	7/16	7/16 BSF	0.559	0.437	1.200	2.118	1.323	0.585	21,212
HIM500SS	HIM500LHSS	1/2	1/2 UNF	0.630	0.472	1.250	2.440	1.456	0.610	24,555
HIM500FSS	HIM500FLHSS	1/2	1/2 BSF	0.630	0.472	1.250	2.440	1.456	0.610	24,555

RMM - SERIES MAINTENANCE FREE

ROD ENDS WITH MALE THREAD

Materials

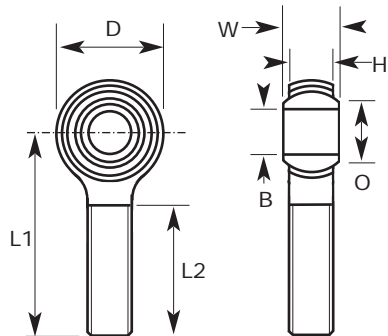
Housing: Steel 230M07PB, Zinc plated white & blue passivate (silver/clear).

Race: Nylon 66.

Ball: Bearing Steel 100Cr6, case hardened & electro-less Nickel plated.

Specification

ELV & RoHS Compliant.



METRIC

PART NO. RIGHT HAND	PART NO. LEFT HAND	BORE SIZE	THREAD	W	H	D	L1	L2	O	STATIC LOAD RATING (NEWTONS) RADIAL
RMM6	RMM6LH	6	M6X1.00	6	4	21	36	16	8.00	7,500
RMM8	RMM8LH	8	M8X1.25	8	6	24	42	24	10.25	12,850
RMM8C	RMM8CLH	8	M8X1.00	8	6	24	42	24	10.25	12,850
RMM10	RMM10LH	10	M10X1.50	9	7	29	48	29	13.23	17,125
RMM10C	RMM10CLH	10	M10X1.25	9	7	29	48	29	13.23	17,125

RMMS - SERIES MAINTENANCE FREE

ROD ENDS WITH MALE THREAD

Materials

Housing: Steel 230M07PB, Zinc plated white & blue passivate (silver/clear).

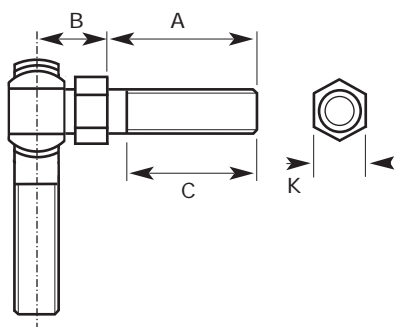
Race: Nylon 66.

Ball: Bearing Steel 100Cr6, case hardened & electro-less Nickel plated.

Stud: Steel 230M07PB, Zinc plated white & blue passivate (silver/clear).

Specification

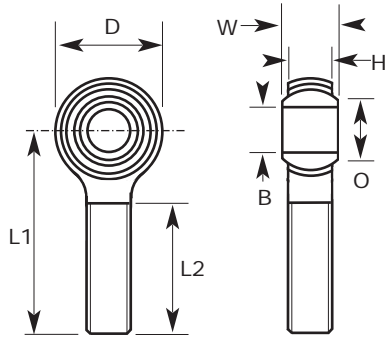
ELV & RoHS Compliant.



METRIC

STUD SIZE	PART NO. RIGHT HAND	PART NO. LEFT HAND	THREAD	A	B	C	K	STATIC LOAD RATING (NEWTONS) RADIAL
M6	RMMS6	RMMS6LH	M6X1.00	12.5	11.0	10.5	9	1,200
M8	RMMS8	RMMS8LH	M8X1.25	16.5	13.0	14.5	11	2,500
M8	RMMS8C	RMMS8CLH	M8X1.00	16.5	13.0	14.5	11	2,500
M10	RMMS10	RMMS10LH	M10X1.50	20.0	16.0	12.0	13	6,890
M10	RMMS10C	RMMS10CLH	M10X1.25	20.0	16.0	12.0	13	6,890

RMM-SS SERIES MAINTENANCE FREE ROD ENDS WITH MALE THREAD



Materials

Housing: Stainless Steel 303L.

Race: Nylon 66.

Ball: Stainless Steel 440C.

Specification

ELV & RoHS Compliant.

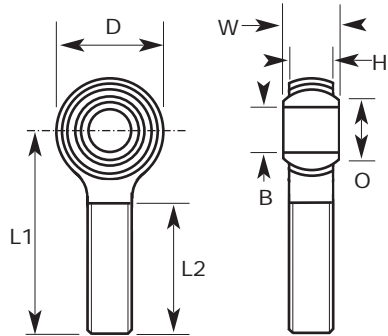


METRIC

PART NO. RIGHT HAND	PART NO. LEFT HAND	BORE SIZE	THREAD	W	H	D	L1	L2	O	STATIC LOAD RATING (NEWTONS) RADIAL
RMM6SS	RMM6LHSS	6	M6X1.00	6	4	21	36	16	8.00	7,500
RMM8SS	RMM8LHSS	8	M8X1.25	8	6	24	42	24	10.25	12,850
RMM8CSS	RMM8CLHSS	8	M8X1.00	8	6	24	42	24	10.25	12,850
RMM10SS	RMM10LHSS	10	M10X1.50	9	7	29	48	29	13.23	17,125
RMM10CSS	RMM10CLHSS	10	M10X1.25	9	7	29	48	29	13.23	17,125

GAR - SERIES MAINTENANCE FREE

ROD ENDS WITH MALE THREAD



Materials

Housing: Forged Steel 080M46, Zinc plated white & blue passivate (silver/clear).

Inner Ring: Steel 080M46.

Ball: Bearing Steel 100Cr6, case hardened & electro-less Nickel plated.

Liner: PTFE fabric.

Specification

ELV & RoHS Compliant.



METRIC

PART NO. RIGHT HAND	PART NO. LEFT HAND	BORE SIZE	THREAD	W	H	D	L1	L2	O	STATIC LOAD RATING (NEWTONS) RADIAL
GAR-6-UK	GARL-6-UK	6	M6X1.00	6	4.4	21	36	12	9.30	3,600
GAR-8-UK	GARL-8-UK	8	M8X1.25	8	6.0	24	42	14	10.40	5,850
GAR-10-UK	GARL-10-UK	10	M10X1.50	9	7.0	29	48	15	12.90	8,650
GAR-12-UK	GARL-12-UK	12	M12X1.75	10	8.0	34	54	18	15.40	11,400
GAR-15-UK	GARL-15-UK	15	M14X2.00	12	10.0	40	63	20	16.90	17,600
GAR-17-UK	GARL-17-UK	17	M16X2.00	14	11.0	46	69	23	19.30	22,400
GAR-20-UK	GARL-20-UK	20	M20X1.50	16	13.0	53	78	27	24.50	31,500
GAR-25-UK	GARL-25-UK	25	M24X2.00	20	17.0	64	94	32	29.60	51,000
GAR-30-UK	GARL-30-UK	30	M30X2.00	22	19.0	73	110	37	35.50	65,500
GAR-35-UK-2RS	GARL-35-UK-2RS	35	M36X3.00	25	21.0	82	140	42	42.10	112,000
GAR-40-UK-2RS	GARL-40-UK-2RS	40	M39X3.00	28	23.0	92	150	48	48.00	140,000
GAR-45-UK-2RS	GARL-45-UK-2RS	45	M42X3.00	32	27.0	102	163	52	54.60	180,000
GAR-50-UK-2RS	GARL-50-UK-2RS	50	M45X3.00	35	30.0	112	185	62	61.00	220,000
GAR-60-UK-2RS	GARL-60-UK-2RS	60	M52X3.00	44	38.0	135	210	75	75.20	345,000
GAR-70-UK-2RS	GARL-70-UK-2RS	70	M56X4.00	49	42.0	160	235	87	86.90	440,000
GAR-80-UK-2RS	GARL-80-UK-2RS	80	M64X4.00	55	47.0	180	270	100	100.30	570,000

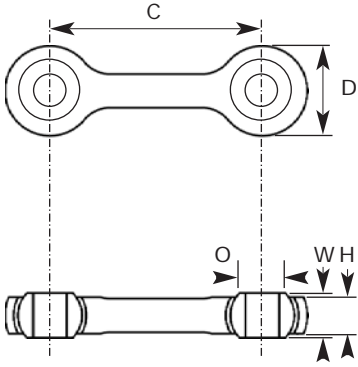
DBM - SERIES MAINTENANCE FREE DOG BONE ROD ENDS

Materials

Housing: Steel 230M07PB, Zinc plated white & blue passivate (silver/clear).

Race: GR-Nylon, LV-3H.

Ball: Bearing Steel 100Cr6, case hardened & electro-less Nickel plated.



METRIC

PART NO.	BORE SIZE	C	W	H	D	O	LINER	STATIC LOAD RATING (NEWTONS) RADIAL
DB-SA-074	8	60.0	12	9.0	22	10.4	GR-NYLON	12,775
DB-SA-173	8	75.0	12	9.0	22	10.4	GR-NYLON	12,775
DB-SA-169	8	80.0	12	9.0	22	10.4	GR-NYLON	12,775
DB-SA-170	8	82.5	12	9.0	22	10.4	GR-NYLON	12,775
DB-SA-175	10	50.0	14	10.5	26	12.9	GR-NYLON	16,960
DB-SA-060	10	60.0	14	10.5	26	12.9	GR-NYLON	16,960
DB-SA-200	10	60.0	14	10.5	26	12.9	SINTERED BRONZE	16,960
DB-SA-544	10	63.0	14	10.5	26	12.9	GR-NYLON	16,960
DB-SA-174	10	65.0	14	10.5	26	12.9	GR-NYLON	16,960
DB-SA-196	10	70.0	14	10.5	26	12.9	GR-NYLON	16,960
DB-SA-511	10	80.0	14	10.5	26	12.9	GR-NYLON	16,960
DB-SA-160	10	85.0	14	10.5	26	12.9	GR-NYLON	16,960
DB-SA-171	10	100.0	14	10.5	26	12.9	GR-NYLON	16,960
DB-SA-346	10	115.0	14	10.5	26	12.9	GR-NYLON	16,960
DB-SA-059	10	120.0	14	10.5	26	12.9	GR-NYLON	16,960
DB-SA-172	10	124.0	14	10.5	26	12.9	GR-NYLON	16,960
DB-SA-180	10	175.0	14	10.5	26	12.9	GR-NYLON	16,960
DB-SA-355	12	151.0	16	12.0	30	15.4	SINTERED BRONZE	22,900

The above list shows our current production programme of Dog Bone rod ends. Please enquire for any item not shown.

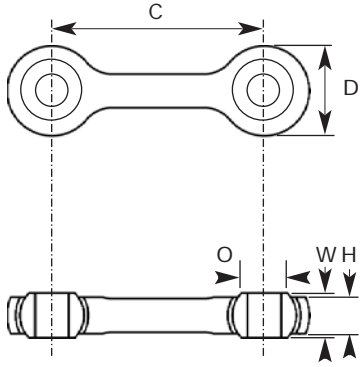
DBI - SERIES MAINTENANCE FREE DOG BONE ROD ENDS

Materials

Housing: Steel 230M07PB, Zinc plated white & blue passivate (silver/clear).

Race: GR-Nylon, LV-3H.

Ball: Bearing Steel 100Cr6, case hardened & electro-less Nickel plated.



IMPERIAL

PART NO.	BORE SIZE	C	W	H	D	O	LINER	STATIC LOAD RATING (NEWTONS) RADIAL
DB-SA-076	5/16	60.0	0.437	0.344	0.875	0.447	GR-NYLON	6,880
DB-SA-158	5/16	75.0	0.437	0.344	0.875	0.447	GR-NYLON	12,010
DB-SA-067	5/16	80.0	0.437	0.344	0.875	0.447	GR-NYLON	12,010
DB-SA-128	5/16	82.5	0.437	0.344	0.875	0.447	GR-NYLON	12,010
DB-SA-162	3/8	50.0	0.500	0.406	1.000	0.516	GR-NYLON	12,830
DB-SA-156	3/8	60.0	0.500	0.406	1.000	0.516	GR-NYLON	12,830
DB-SA-205	3/8	60.0	0.500	0.406	1.000	0.516	SINTERED BRONZE	13,640
DB-SA-365	3/8	63.0	0.500	0.406	1.000	0.516	GR-NYLON	13,640
DB-SA-159	3/8	65.0	0.500	0.406	1.000	0.516	GR-NYLON	16,900
DB-SA-195	3/8	70.0	0.500	0.406	1.000	0.516	GR-NYLON	16,900
DB-SA-512	3/8	80.0	0.500	0.406	1.000	0.516	GR-NYLON	16,900
DB-SA-206	3/8	85.0	0.500	0.406	1.000	0.516	GR-NYLON	16,900
DB-SA-155	3/8	100.0	0.500	0.406	1.000	0.516	GR-NYLON	16,900
DB-SA-347	3/8	115.0	0.500	0.406	1.000	0.516	GR-NYLON	16,900
DB-SA-168	3/8	120.0	0.500	0.406	1.000	0.516	GR-NYLON	16,900
DB-SA-157	3/8	124.0	0.500	0.406	1.000	0.516	GR-NYLON	16,900
DB-SA-207	3/8	175.0	0.500	0.406	1.000	0.516	GR-NYLON	16,900

The above list shows our current production programme of Dog Bone rod ends. Please enquire for any item not shown.