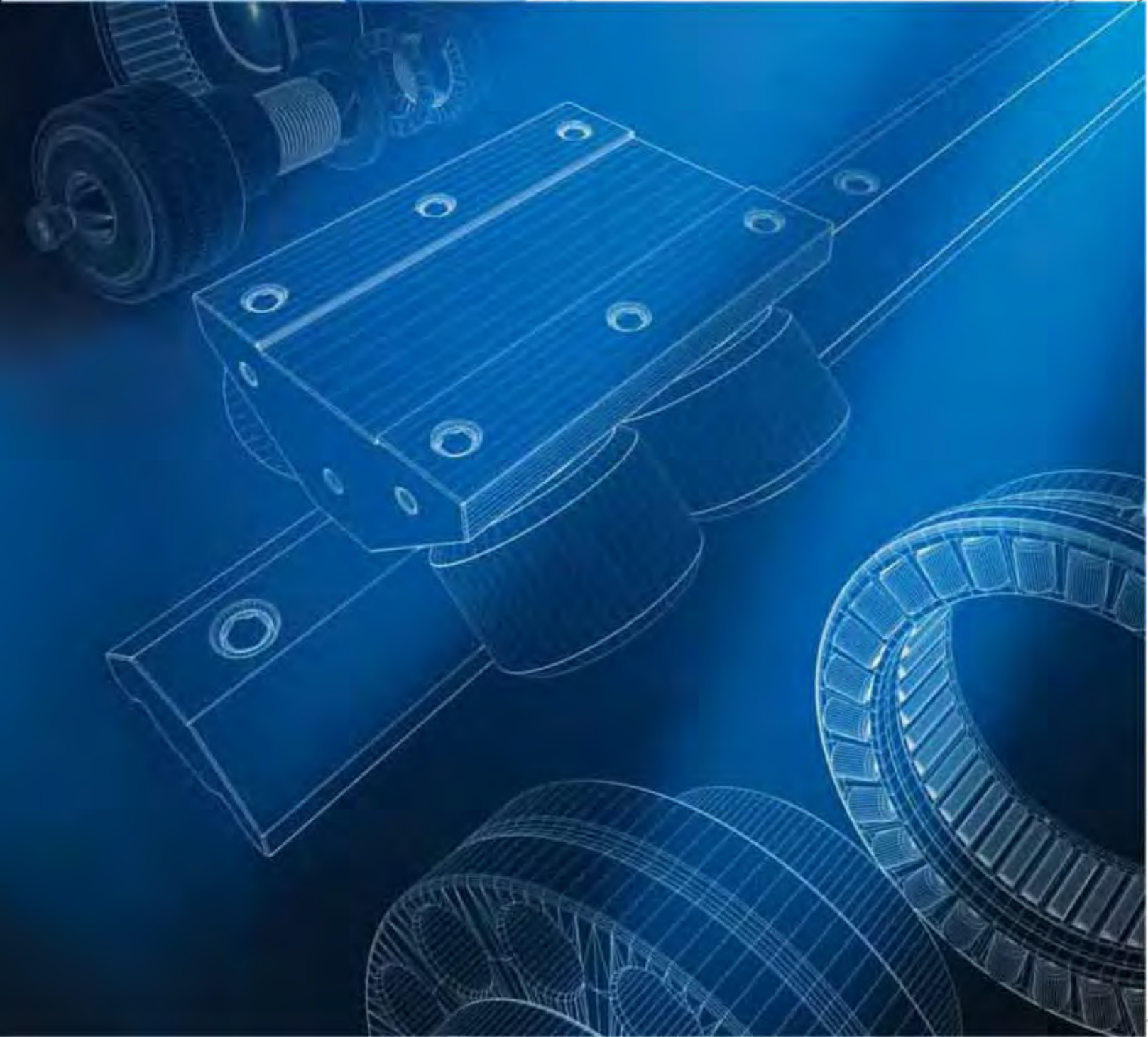




Linear and Motion Solutions

**The right address  
for mechanical  
motion technology**



Keeping a sharp eye on your customers' requirements...

## Looking for a concentrated offer for mechanical motion technology? Then look no further than the Nadella catalogue.



Company headquarters in  
Stuttgart-Degerloch

If you're looking for linear guide systems, linear modules, needle and taper roller bearings, as well as rod ends and adjustable nuts, then Nadella is the right name for you. That's because Nadella is an absolute specialist in mechanical motion technology and offers you excellent quality in terms of pro-

ducts, know-how and service. You can rely on Nadella experience and expertise in many areas of mechanical engineering and automation technology to benefit your application.

Linear guide systems: With their own "Nadella Linear" product range, Nadella can offer you simple and economical solutions for light and heavy load applications.

Linear modules: The precision of its running properties means that this compact modular system enables you to implement innovative motion concepts.

Rod ends: The Nadella range encompasses floating and roller-mounted high-performance rod ends for use at high speeds, wide slewing angles or rotating movements under simultaneously high stresses.

Adjusting nuts: There is no alternative to these adjusting and tensioning nuts from Nadella. They are used whenever mechanical elements need to be set precisely and strong and secure positioning is required.



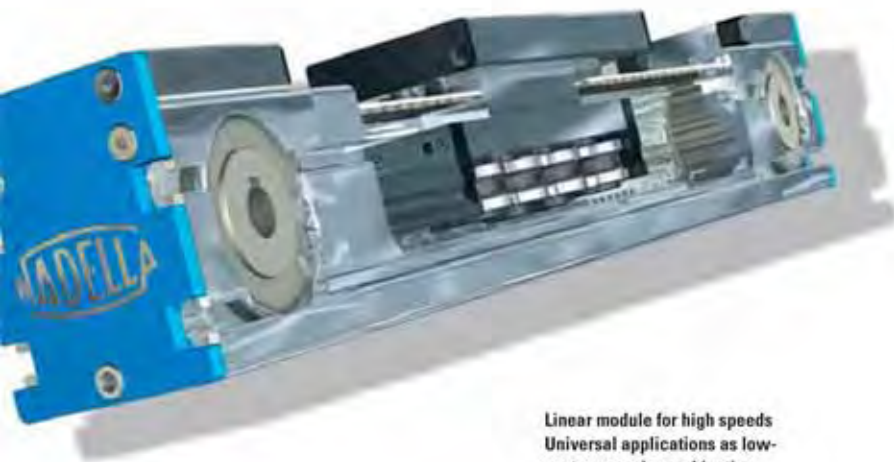
- FS linear guides system**
- For Medium/heavy load capacity
  - Suitable for dirty environments
  - Easy to assemble



- Compact LM linear guide system**
- For simple solutions
  - Compact system with carriages (easy to assemble)
  - Long-term free maintenance
  - Rust-proof versions



- Robust GU linear guide system**
- Heavy load capacity
  - Suitable for dirty environments
  - Ground rails for precision applications



**Linear module for high speeds**  
 Universal applications as low-cost axes or in combination with other axes from our system range for complex, multi-axial systems. Beltor boltscrew drive system. Recirculating linear guides or roller guideways.



**Adjusting nuts**

- Tightening and adjusting precision roller bearings
- Simple design on shaft ends and housings
- Problem-free installation and removal
- Can be re-used without loss of accuracy



**FWN linear guides system**

- Pro-finished for use with assembly dimensions according to DIN 645
- System with 4 or 6 rollers maintenance free
- Rust-proof versions



**Standard steering columns**

Thanks to the various types, all customer expectations in relation to flexibility and competitiveness can be fulfilled.



**Rod ends**

- With integrated pendulum ball or taper roller bearing or with maintenance-free high-performance bearings
- With maintenance-free high-performance plain bearing
- Available in all current DIN dimensions

## Word has got around:

# You want standard catalog products modified to your specifications? Customer-specific small series production – no problem for Nadella

Sometimes it happens that a Nadella catalog product fits perfectly into your construction concept in terms of technology and price except for one tiny detail: A dimension may need to be slightly different, the shaft needs to have a particular shape at the end, the surface would need to be protected against corrosion, etc. There may even be a requirement that pre-assembled and tested subassemblies should be supplied.



If you have requirements of this kind, Nadella will be happy to cater to your wishes. Customer-specific special parts are something in which Nadella has always specialized: from application analysis through technical support to the

capacities for metal processing and finishing procedures. To this is added our well-oiled logistics operation, which enables the special handling of catalog components quickly and economically. This even applies to small and medium-sized volumes.



Straightness measurement using a GU series linear guide track



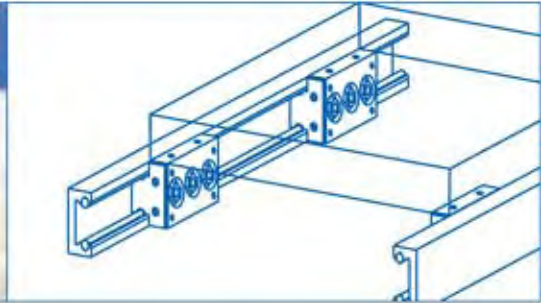
Dismounting / separation of guide tracks on customer request



Customer-specific drill templates according to drawings provided



Special carriages reworked in line with customer plans are implemented by Nadella, as are complete non-corroding versions, for example. On request, Nadella can produce 2D and 3D versions of the drawing data for the standard products altered according to your requirements.



**Production of runners**

**Test bench in production linear guidance systems**



**Testing of customer-specific components**

**Grinding machine for fine surface processing of guidance tracks**

**For those who can sense when they have found the right product:**

## **Something new in the air? Nadella will be happy to act as your development and supply partner.**



There is normally a huge difference between an altered batch product and a specially produced "customized product" designed and manufactured to meet customer-specific requirements. Now you can cross this border in a single step: Just turn to Nadella.

You will find everything you need to implement your new motion-based design concept, in other words a coordinated package: explain your application, motion and positioning task to our consultant engineers either by phone or in a personal meeting on your premises arranged at short notice to analyze your task in detail.

Profit from the broadly based experience of your Nadella contact. Exploit Nadella's know-how while still respecting the required precision, stress data, service life and cost parameters.

Working in close and confidential cooperation, we can optimize your project in terms of design and production technology. You will also find that Nadella has all the personnel and technical capacities required to produce your specially designed motion element to a high quality and at the right price – even in small and medium volumes.



**Nadella's proverbial openness for your special solution:  
Nadella mechanical engineers are your expert partners and aim  
to achieve benefits for you in terms of technology and costs.**

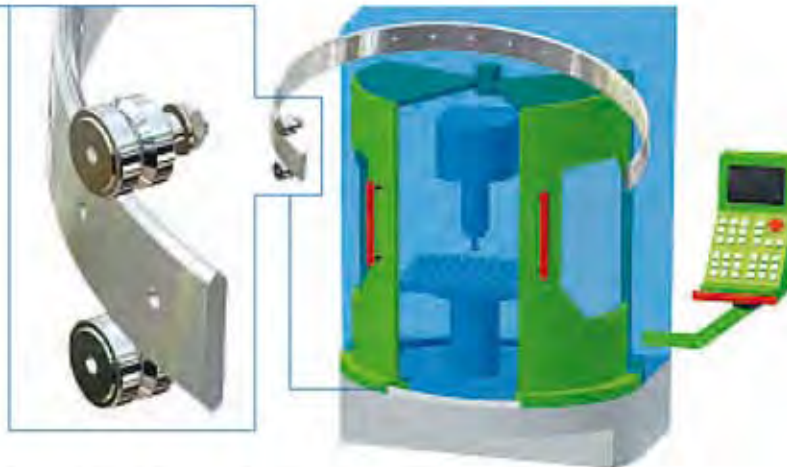


**In-house design engineering and development department.  
Technicians and engineers work on customer specifications, new  
developments etc.. In the CAD field, Nadella provides its customers  
with 3D data in the most diverse formats which can be directly  
integrated in the application.**



**References from the industrial sector**

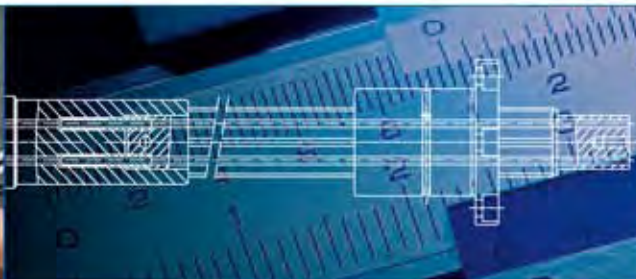
- B. Braun Melsungen AG
- BIT Analytical Instrument GmbH
- Carl Zeiss
- DE-STA-CO Metallerzeugnisse GmbH
- EKRA Automatisierungssysteme GmbH
- J.G. Weisser Söhne
- Kress-Elektrik GmbH & Co. KG
- Krones AG
- MEBA Metall-Bandsägemaschinen GmbH
- Messer Cutting & Welding GmbH
- Michael Weinig AG
- Microhandling GmbH
- Poly-Clip System GmbH & Co. KG
- Still GmbH
- Wafios AG
- System S.p.A.
- Cornau S.p.A.
- Brevini S.p.A.
- Automotive Systems S.p.A.
- Agnati S.p.A.
- G. D. S.p.A.
- Sonzogni Lamme S.p.A.
- Z. Bavelloni S.p.A.



**Economic guiding for innovative machines:**  
The cost-effective FSRV sheet guide rails, especially suitable for large radii, are used for protective doors and housings.



**Nadella's own production capacities and expertise with measuring and testing equipment enables the customer-specific special products to be produced at short notice to tight schedules.**



**Torque shaft:**  
Example of a shaft which was modified according to a customer draft.



**A strong team advises you ...**

**You get a good feeling.**

## **Looking for ready-to-install solutions, not just products? Get to know Nadella as a system partner!**

Are you already making the best use of your potential for rationalization? One way to do this is to use external specialists to produce and procure components that are not necessarily part of your core expertise. This is your opportunity to take a step that will have lasting benefits for your business:



These universal motion and positioning modules allow you to implement your design quickly and precisely – either independently or with Nadella's support in dimensioning and module selection. You can also use Nadella as a reliable provider of complete single or multi-axis linear module assemblies – including all connections and mountings. At the same time you can give Nadella responsibility for the perfect quality and functionality of the modules and their prompt provision at your final installation point.



Nadella is the complete system partner for complex, multi-axial subassemblies in mechanical linear technology. In particular, the Nadella construction kit system of linear modules contains all components in linear motion technology up to and including the interface motor: systems with roller bearings or recirculating linear guides or ball screws, suitable for direct, transverse or portal connections or as a single module system.



**Systematic supply of individual components**

**Application of the GU heavy duty guide system.**

**Measurement facilities for rotational and axial run-out**





• **Universal motor connection**  
Connections are available for almost every commonly used flanged motor by means of a metal bellows or elastomer claw coupling and motor adapter.



• **Transverse connection**  
The transverse connection plates are particularly useful for the economical setup for right angle axial connections and cantilever systems on which the constructed axle is to travel.



• **Portal connection**  
Portal configurations are recommended for higher stresses and longer transverse travel. These can be implemented economically without extreme excess lengths on the transverse axis by using Nadella portal connecting plates.



• **Standard combinations**  
Nadella plans and supplies ready-assembled complete systems. These are provided ready for installation and include switches, energy chain and all mounting material.



Application example from the food industry: Extensograph to check the consistency of wheat flour doughs.



Flatbed scanner to digitise magazines and catalogues, including whole library stocks.



Assembly of the individual linear



Application in the construction machine industry: Manufacturing machine for shaped concrete bricks.

## Could you develop a taste for what we have to offer?

### Do you like pleasant surprises? The all-round expertise of Nadella will give you a taste for satisfying collaboration.

Mechanical motion technology is so differentiated and application-specific today that it has become a technology for specialists. In the course of this development, Nadella has been a leading motor of innovation from the very beginning – and remains open to the new challenges presented by its customers.

Nadella was founded in Rueil-Malmaison in France in 1930 as Nadella S.A. and is the oldest company dealing in the manufacture of needle bearings. This expertise is apparent from the outset in the name: Nadella.

Continuous practical development and collaboration with universities and research institutes have yielded expertise of an international level.

Nadella has now two locations in Europe: Nadella GmbH in Stuttgart – Germany – founded in 1958 and Nadella S.p.A in Milan – Italy – founded in 1963. Nadella also has a broad network of sales partners in all the important industrial countries in Europe and Asia. Today Nadella is a medium-sized company and a leading brand for mechanical motion technology worldwide. The Nadella sales organization also has an international presence, ensuring advice, supply and service in line with the customer's requirements.

Nadella GmbH certified by DQS



Nadella S.p.A. certified by DNV



Certified according to DIN EN ISO 9001 and DIN EN ISO 14001: 2005  
Nadella has all its processes under control: The result is a series of lean processes, smoothly functioning logistics and reliable scheduling.



Continuous professional development for staff at the company headquarters in Stuttgart



**Nadella manufacturing in Milan**



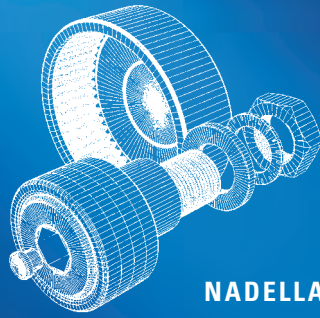
**Shuttle systems combined with a bar code system allow fast access and fast cycle times in the Stuttgart warehouse.**



**Long-standing personal business relationships between individual customers and Nadella staff in technology, sales and service give Nadella a sense of pride at having maintained a continuous business policy through changing times.**



Linear and Motion Solutions



**NADELLA GmbH**

Rudolf-Diesel-Str. 28

71154 Nufringen

Fon +49 (0)7032 9540-0

Fax +49 (0)7032 9540-25

[info@nadella.de](mailto:info@nadella.de)

[www.nadella.de](http://www.nadella.de)

**NADELLA S.p.A**

Via Melette, 16

20128 - Milano

Fon +39 02 270 932 97

Fax +39 02 257 647 9

Fax +39 02 255 176 8

[customer.service@nadella.it](mailto:customer.service@nadella.it)

<http://www.nadella.it>