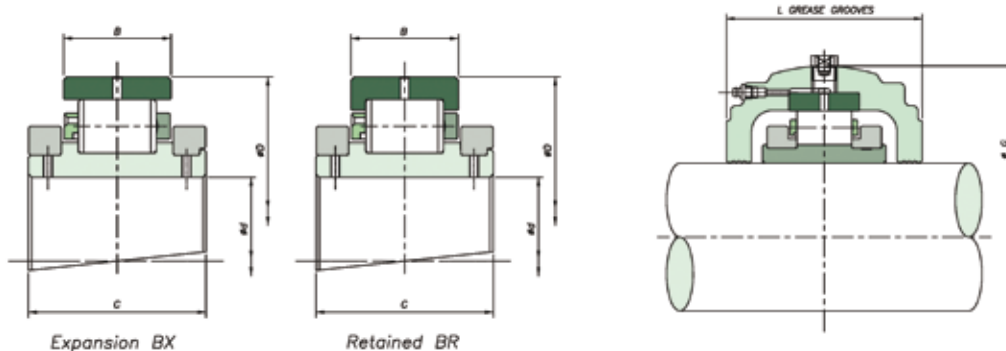


Light Series Bearing & Housing

360mm to 600mm



Shaft (d) Reference Bearings Ratings

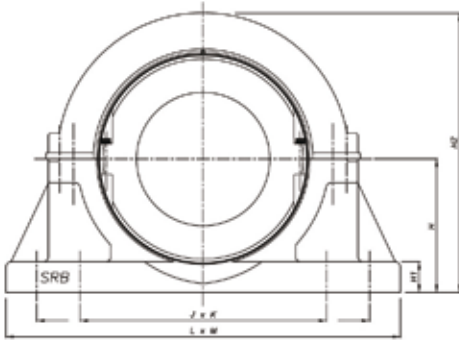
mm	inch	Add BR for retained Add BX for expansion e.g. LSM35BR	Dynamic C _r (kN/lb)	Static C _{or} (kN/lb)	Axial C _a (kN/lb)	Max RPM	D	B	C
360	15	LSM360	1224	2431	110.40	500	520.70	76.20	140.00
380		LSM380	275166	546511	24819		20.500	3.000	5.512
400	16	LSM400	1107	2266	115.60	460	546.10	76.20	140.00
		LSE1600	248864	509417	25988		21.500	3.000	5.512
420	17	LSM420	1146	2418	121.00	430	571.50	76.20	140.00
		LSE1700	257631	543588	27202		22.500	3.000	5.512
440	18	LSM440	1185	2469	127.20	410	596.90	76.20	140.00
460		LSM460	266399	555053	28596		23.500	3.000	5.512
480	19	LSM480	1348	2965	132.60	380	628.65	81.00	144.00
		LSE1900	303042	666559	29810		24.750	3.189	5.669
500	20	LSM500	1392	3139	137.80	360	654.05	80.20	168.00
		LSE2000	312934	705675	30979		25.750	3.157	6.614
530	21	LSM530	1431	3316	140.60	340	692.15	81.00	168.00
		LSE2100	321702	745466	31608		27.250	3.189	6.614
560	22	LSM560	1472	3490	142.40	330	717.55	81.00	168.00
		LSE2200	330919	784583	32013		28.250	3.189	6.614
580	23	LSM580	1616	3841	144.00	310	749.00	84.10	172.00
		LSE2300	363291	863491	32372		29.488	3.311	6.772
600	24	LSM600	1660	4033	146.80	300	774.70	84.10	172.00
		LSE2400	373183	906654	33002		30.500	3.311	6.772

Housing Reference

Add HR for retained Add HX for expansion e.g. LSM35HR	G	F	L	L ₁
LSM360	571.50	98	260	-
LSM380	22.500	3.9	10.2	-
LSM400	603.30	102	280	-
	23.752	4.0	11.0	-
LSM420	628.70	102	292	-
	24.752	4.0	11.5	-
LSM440	650.90	108	304	-
LSM460	25.626	4.3	12.0	-
LSM480	682.60	108	304	-
	26.874	4.3	12.0	-
LSM500	717.60	114	304	-
	28.252	4.5	12.0	-
LSM530	755.70	114	330	-
	29.752	4.5	13.0	-
LSM560	781.10	114	336	-
	30.752	4.5	13.2	-
LSM580	816.00	120	342	-
	32.126	4.7	13.5	-
LSM600	841.40	120	342	-
	33.126	4.7	13.5	-

Light Series Support

S20 - S29



S20 - S29

Shaft (d)		Support Reference	H	H ₁	H ₂	J x K	L x M	Bolts
mm	inch							
360	15	S20	397	60	795	676 x 166	902 x 254	4 x M36
380			15.630	2.4	31.3	26.6 x 6.5	35.5 x 10	
400	16	S21	432	67	865	724 x 166	940 x 254	4 x M36
420			17.008	2.6	34.1	28.5 x 6.5	37 x 10	
440	17	S22	445	67	890	756 x 166	966 x 254	4 x M36
460			17.520	2.6	35.0	29.8 x 6.5	38 x 10	
480	18	S23	464	70	925	788 x 190	1042 x 280	4 x M42
500			18.268	2.8	36.4	31 x 7.5	41 x 11	
530	19	S24	483	73	965	816 x 188	1092 x 304	4 x M42
560			19.016	2.9	38.0	32.1 x 7.4	43 x 12	
580	20	S25	489	76	980	844 x 216	1092 x 304	4 x M42
600			19.252	3.0	38.6	33.2 x 8.5	43 x 12	
530	21	S26	533	80	1065	904 x 206	1194 x 304	4 x M42
560			20.984	3.1	41.9	35.6 x 8.1	47 x 12	
580	22	S27	552	83	1110	936 x 206	1220 x 304	4 x M42
600			21.732	3.3	43.7	36.9 x 8.1	48 x 12	
580	23	S28	578	83	1156	1080 & 877 x 220	1372 x 304	8 x M36
600			22.756	3.3	45.5	42.5 & 34.5 x 8.7	54 x 12	
580	24	S29	597	90	1200	1118 & 908 x 200	1372 x 304	8 x M36
600			23.504	3.5	47.2	44 & 35.7 x 7.9	54 x 12	