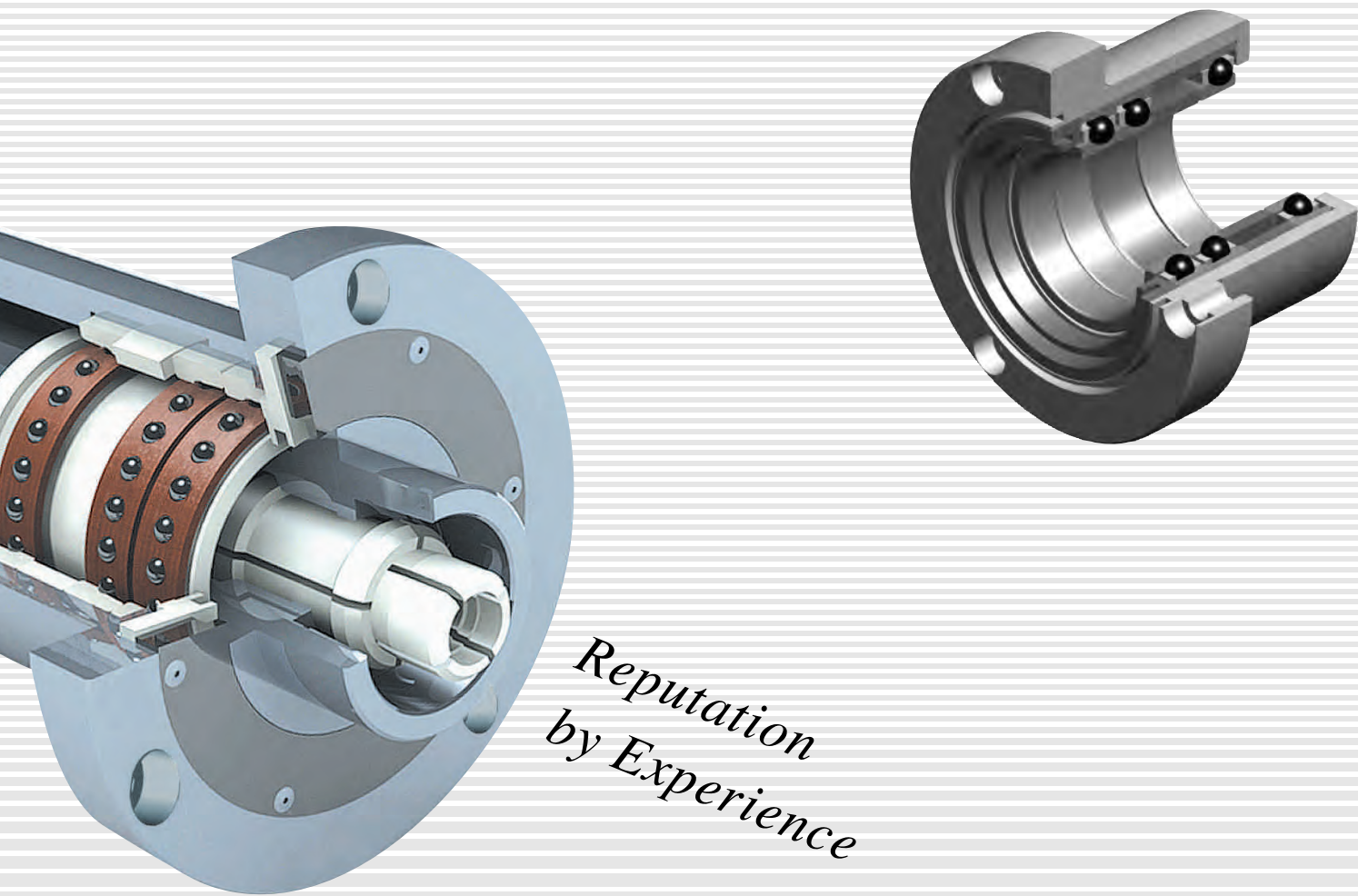




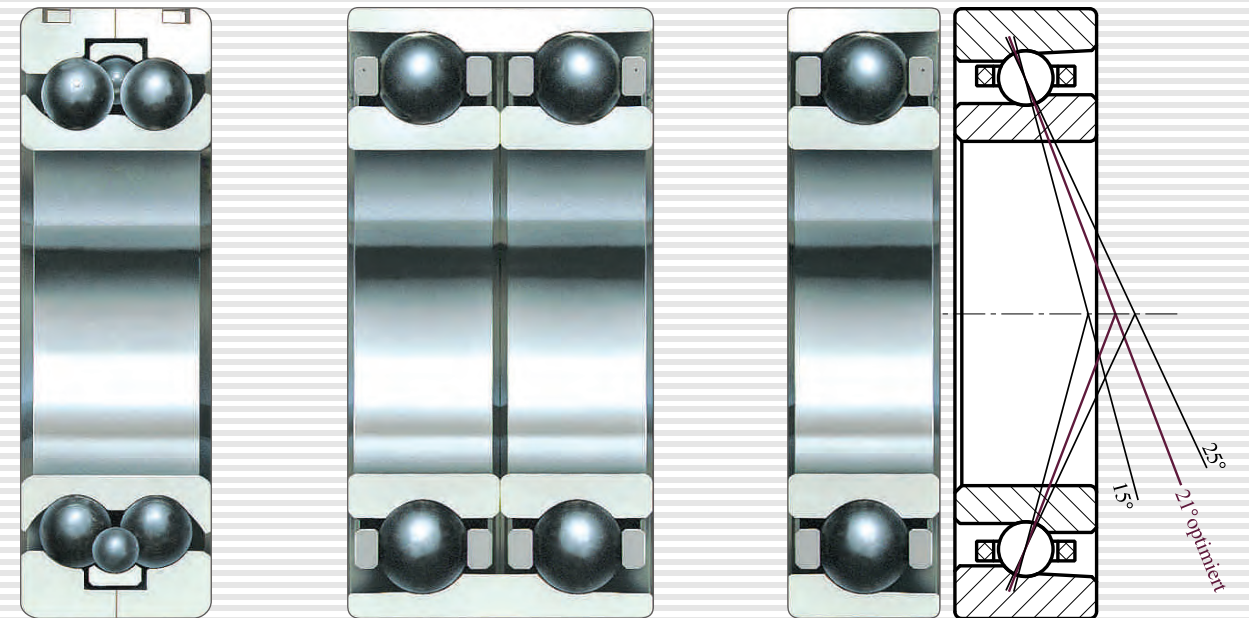
Deliveries ex works Berlin or through our Sales Representatives  
in Europe, Overseas and Far East

# Spindle Bearings Spindles Engineering

We reserve the right to make changes which serve the technical progress.  
Copyright: This catalogue (8040) or parts thereof may not be reproduced  
without our permission.



*Reputation  
by Experience*



181708

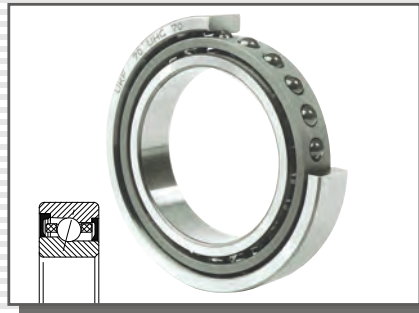


**UKF UNIVERSAL-KUGELLAGER-FABRIK <sup>GM</sup><sub>BH</sub>**  
Kienhorststraße 53 • D-13403 Berlin (Reinickendorf)  
Tel.: ++49 (0)30. 41 00 04-0 • Fax ++49 (0)30. 413 20 46  
www.ukf.de • e-mail: kontakt@ukf.de

## Ball Screw Support Bearings Bearing Cartridges



UKF - Spindle Bearings preloaded  
single-/ double row  
- Hybrid Bearings



UKF - High Speed Spindle Bearings  
- Hybrid Bearings  
- with Shields



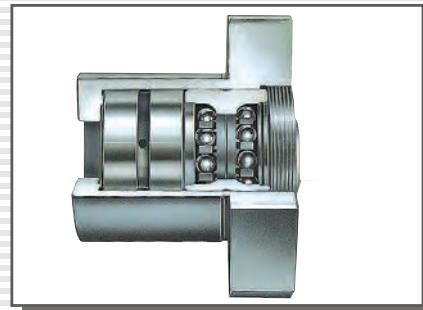
UKF - High Precision Angular Contact  
Ball Bearings, double row  
Rolling contact ball guide,  
low-friction, self-adjusting preload



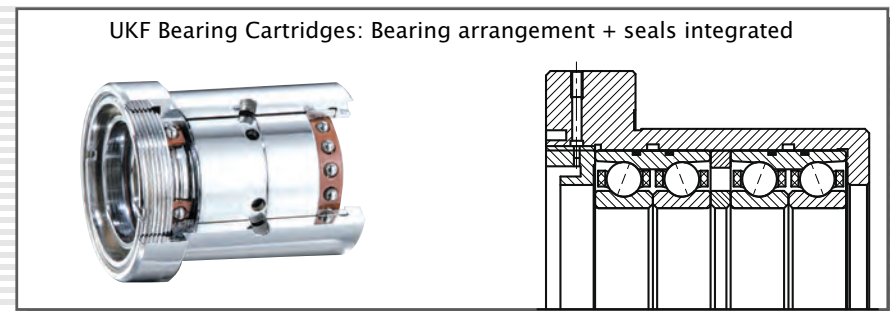
UKF CRONIDEX® - Steel  
with Direct Lubrication



UKF Floating Bearing with  
Integrated Axial Displacement



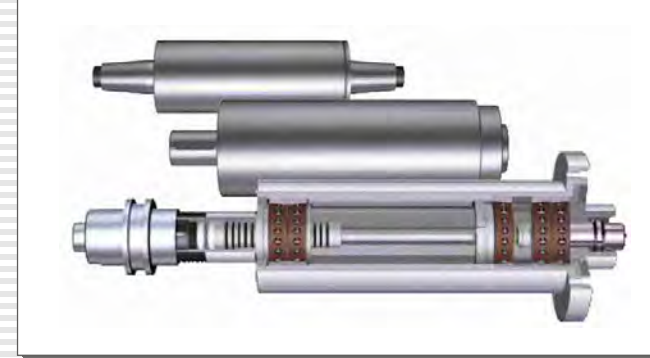
UKF Ball Screw Support Bearings  
as Bearing Cartridges 2-/4- rows



2-/3-/4- rows, preloaded  
in sleeve (flange/shoulder)  
ready for installation

Optional - with purge air  
- with variable preload  
- with liquid cooling

## for turning, milling, grinding



UKF Grinding Spindles  
internal grinding  
(internal/ external taper)  
external grinding



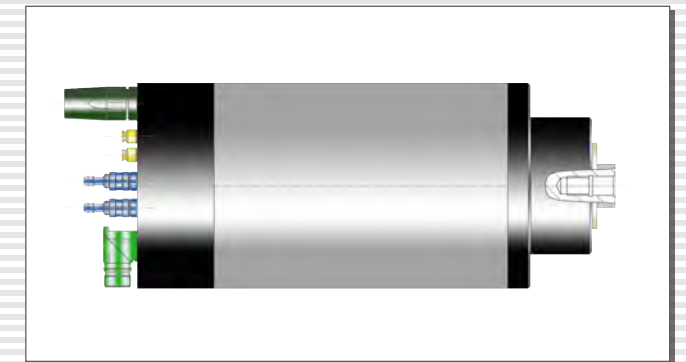
UKF High Frequency Spindles  
for turning  
A4...A8  
7,5...38 kW

UKF Turning Spindles  
A3...A8

UKF Milling Spindles  
SK 30...50  
HSK A 40...100  
HSK C 32...C 80



UKF High Frequency Spindles  
for milling  
SK 25...50  
HSK C 32...80  
8...40 kW



UKF High Frequency Spindles  
for grinding  
HSK 25...63  
Cylindrical bore/External taper  
1,5...48 kW



### Special design as per arrangement

- thin section bearing
- bearing for high static loads
- bearing cartridges with temperature-/vibration control
- bearings for vacuum



### Spindle-service, Maintenance-service and more:

- Analysis of damages including about its causes helps to improve the working conditions
- ISO 9000 certified Nr. 07-2404995 + continues auditing

